

ITEM NO.	NO. RQD	DESCRIPTION	WEIGHT	
			UNIT	TOTAL
1	1	2-PC. OCTAGONAL TRAFFIC POLE	72.0	72.0
POLE TOTAL (kg)			72.0	72.0
2	1	PL 3 x 150 x 330 (LARGE H/H COVER c/w 2- Ø11 HOLES)	1.2	1.2
3	2	S.S HEX BOLT Ø3/8" x 1 1/2" LG, w/ 1 CUP WASHER	0.1	0.2
4	1	S.S HEX BOLT Ø3/8" x 1 1/2" LG, w/ 2 NUTS, 2 WASHERS & 1 SERRATED WASHER	0.1	0.1
5	3	PL 1.6 x 80 'U' SHAPED LEVELLING SHIMS FOR 1" ANCHOR BOLT (GALV.)	0.1	0.3
6	1	POLE TOP CAP	1.7	1.7
PARTS TOTAL (kg)			3.5	3.5
STRUCTURE TOTAL (kg)			75.5	75.5

NOTES:

- POLE SUPPORTING TWO 4 LIGHT 305. OF 0.95 sq.m. & 45kg. AND THREE SIGN OF 0.58 sq.m. IN ACCORDANCE WITH CITY OF EDMONTON ROAD & WALKWAY LIGHTING MANUAL, 2016, IS DESIGNED FOR 160 km/h WIND LOADING (INCLUDING AASHTO GUST FACTOR OF 1.3) OR  $q(1/50)=0.48kPa$

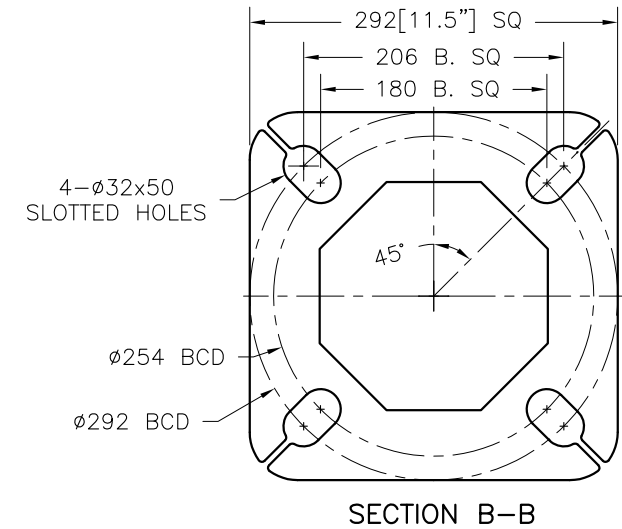
BASE REACTIONS (UNFACTORED, NO ICE, W.S.D.)

Fz	AXIAL	1.8 kN	Mz	TORSION	1.5 kN.m
Fx		1.1 kN	Mx		18.5 kN.m
Fy		5.6 kN	My		4.2 kN.m

- ALL UNITS METRIC(mm) UNLESS OTHERWISE STATED
- STAMP BASE PLATE "NP YY MM" (YY=YEAR, MM=MONTH)

MATERIAL: ALL STEEL SILICON CONTENT - SHAFT Si < 0.04%  
- PARTS Si < 0.04% OR 0.15% < Si < 0.22%

WELDING: CSA W59, W47.1  
FINISH: GALVANIZE ASTM A123  
- ANCHOR BOLTS BY OTHERS ø1" GRADE 400 (Fy=58ksi) 75mm PROJECTION



		<b>NOVA POLE</b>	
REV	ISSUED FOR APPROVAL	DATE	FEB22/18
REV		DATE	
DRAWN	AS	DATE	FEB22/18
CHECKED	PN	DATE	FEB22/18
CONTRACTOR			
		SIZE	B
		SPEC NO.	
		DWG NO.	2 - 110 - 13046-F
		DWG NO.	
		SCALE	NTS
		S.O.	CR 20180202
		SHEET	1 OF 1