

**HARDWARE REQUIREMENTS**

ITEM	DESCRIPTION	QUANTITY
A	TRAFFIC LIGHTS AS SPECIFIED	1
B	IDC 18" WALK / WAIT LIGHT	2
C	1 1/2" x 14" GALVANIZED RIGID CONDUIT	4
D	1 1/2" x 32" GALVANIZED RIGID CONDUIT	1
E	1 1/2" CLOSE NIPPLE	6
F	1 1/2" LOCK NUT c/w FIBRE WASHER	6
G	1 1/2" RLY - L	2
H	1 1/2" RLY - T	3
I	UNIVERSAL POLE MOUNT	3
J	3/4" x .030 THK 201 STAINLESS STEEL BAND-IT (DOUBLE WRAP)	3
K, L	1" WEATHERHEAD, 1" CLOSE NIPPLE	1
M	IMSA SIGNALS CABLE	VARIES

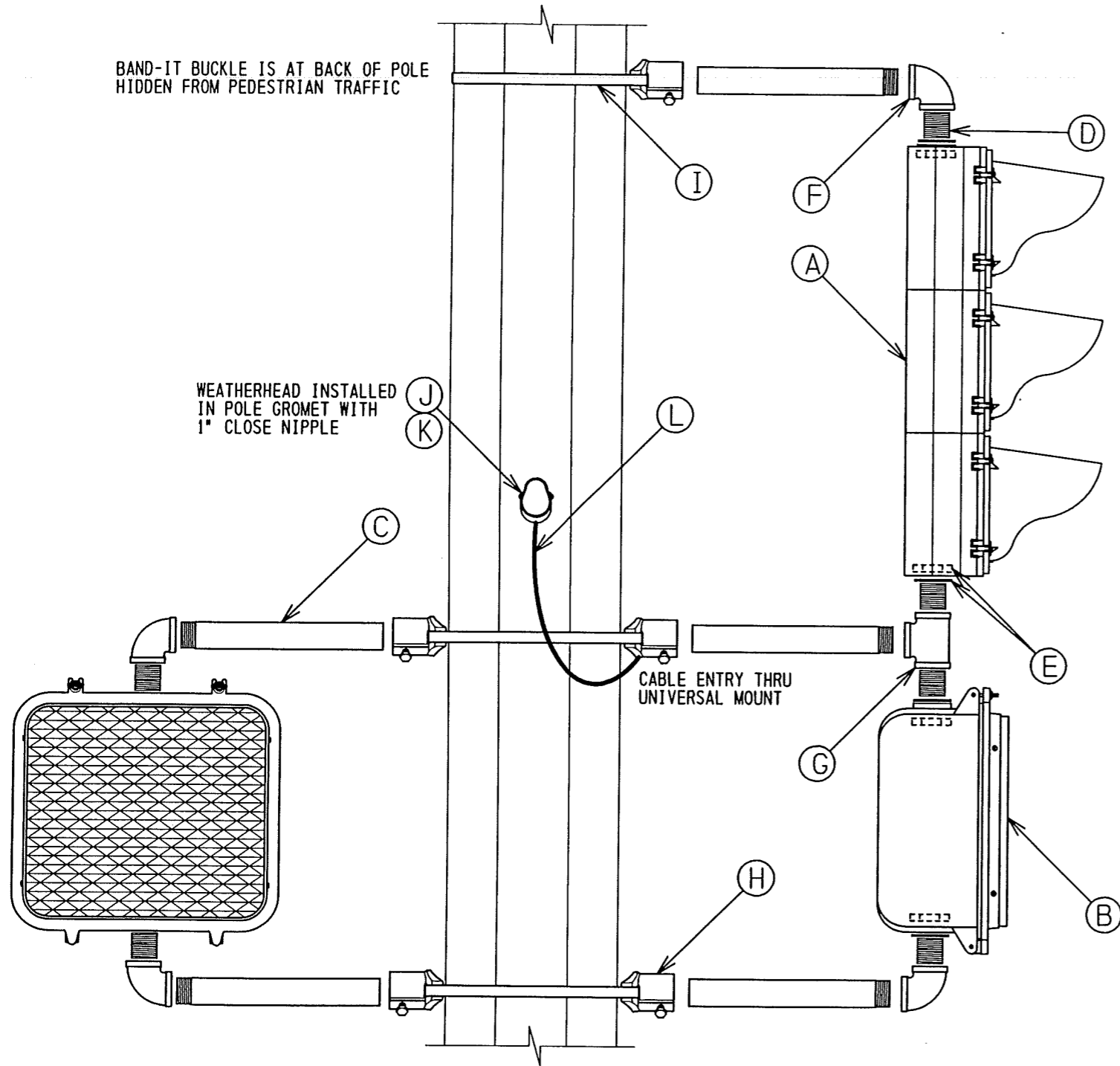
NOTE :  
 NIPPLE LENGTHS VARY DEPENDING ON POLE ALIGNMENT AND CLEARANCE FROM TRAFFIC.  
 STANDARD LENGTHS OF NIPPLE FROM END TO END ARE 6, 7 1/2, 12, 14 AND 32 INCHES  
 PIPE THREAD IS 1" AT EACH END

ALL DIMENSIONS IN MILLIMETERS UNLESS OTHERWISE SPECIFIED

<b>STANDARD POLE MOUNT FIXTURES TRAFFIC AND WALK/WAIT LIGHT</b>		<b>THE CITY OF Edmonton</b> TRANSPORTATION AND STREETS TRAFFIC OPERATIONS BRANCH	
Scale: 1 : 10	Date Approved:	Approved:	Revision No. / Drawing No.

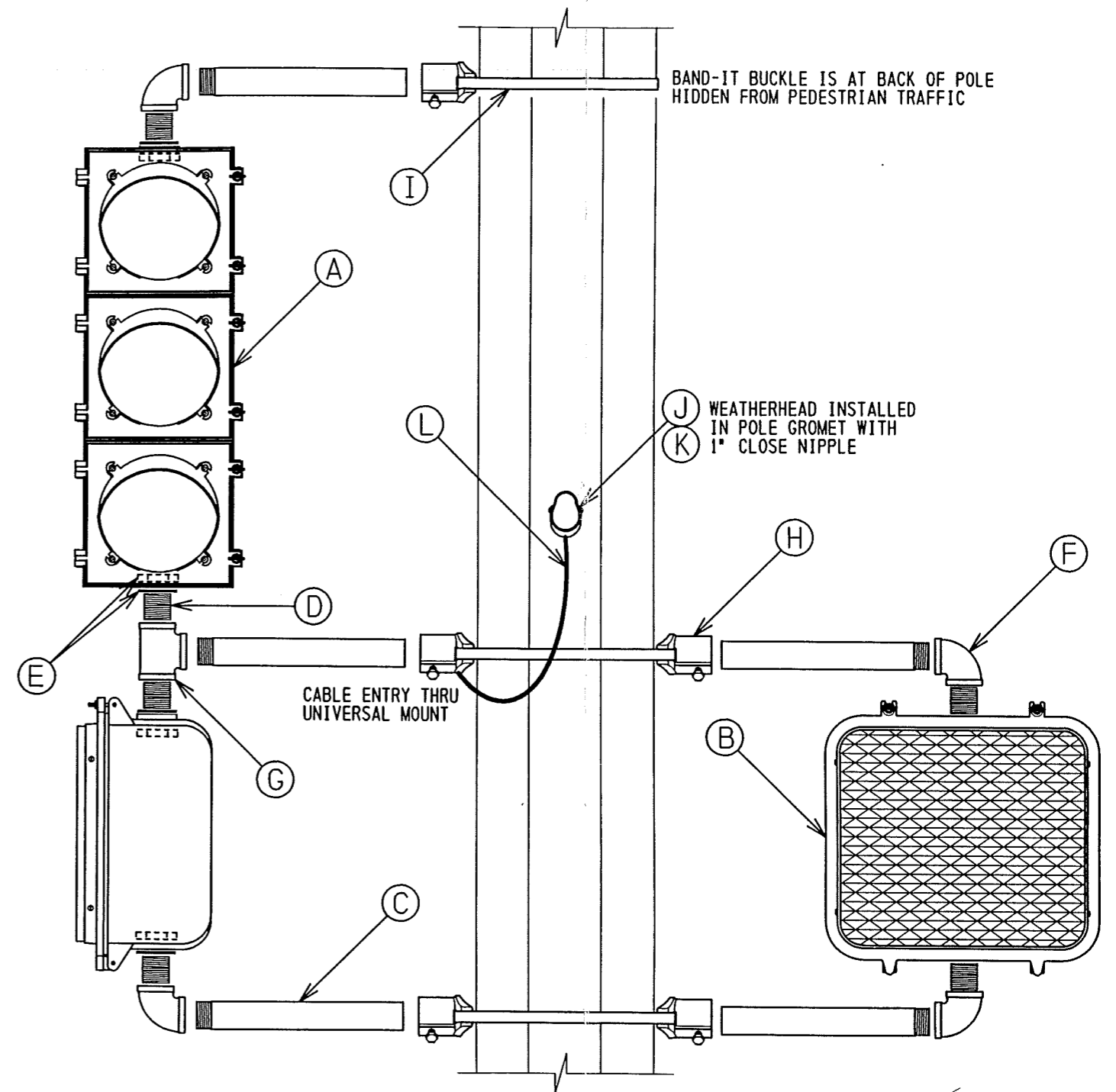
BAND-IT BUCKLE IS AT BACK OF POLE  
HIDDEN FROM PEDESTRIAN TRAFFIC

WEATHERHEAD INSTALLED  
IN POLE GROMET WITH  
1" CLOSE NIPPLE



BAND-IT BUCKLE IS AT BACK OF POLE  
HIDDEN FROM PEDESTRIAN TRAFFIC

WEATHERHEAD INSTALLED  
IN POLE GROMET WITH  
1" CLOSE NIPPLE



HARDWARE REQUIREMENTS

ITEM	DESCRIPTION	QUANTITY
A	TRAFFIC LIGHTS AS SPECIFIED	1
B	IDC 18" WALK / WAIT LIGHT	2
C	1 1/2" x 14" GALVANIZED RIGID CONDUIT	5
D	1 1/2" CLOSE NIPPLE	6
E	1 1/2" LOCK NUT c/w FIBRE WASHER	6
F	1 1/2" RLY - L	4
J, K	1 1/2" RLY - T	1
H	UNIVERSAL POLE MOUNT	5
I	3/4" x .030 THK 201 STAINLESS STEEL BAND-IT (DOUBLE WRAP)	3
J, K	1" WEATHERHEAD, 1" CLOSE NIPPLE	1
L	IMSA SIGNALS CABLE	VARIES

NOTE :

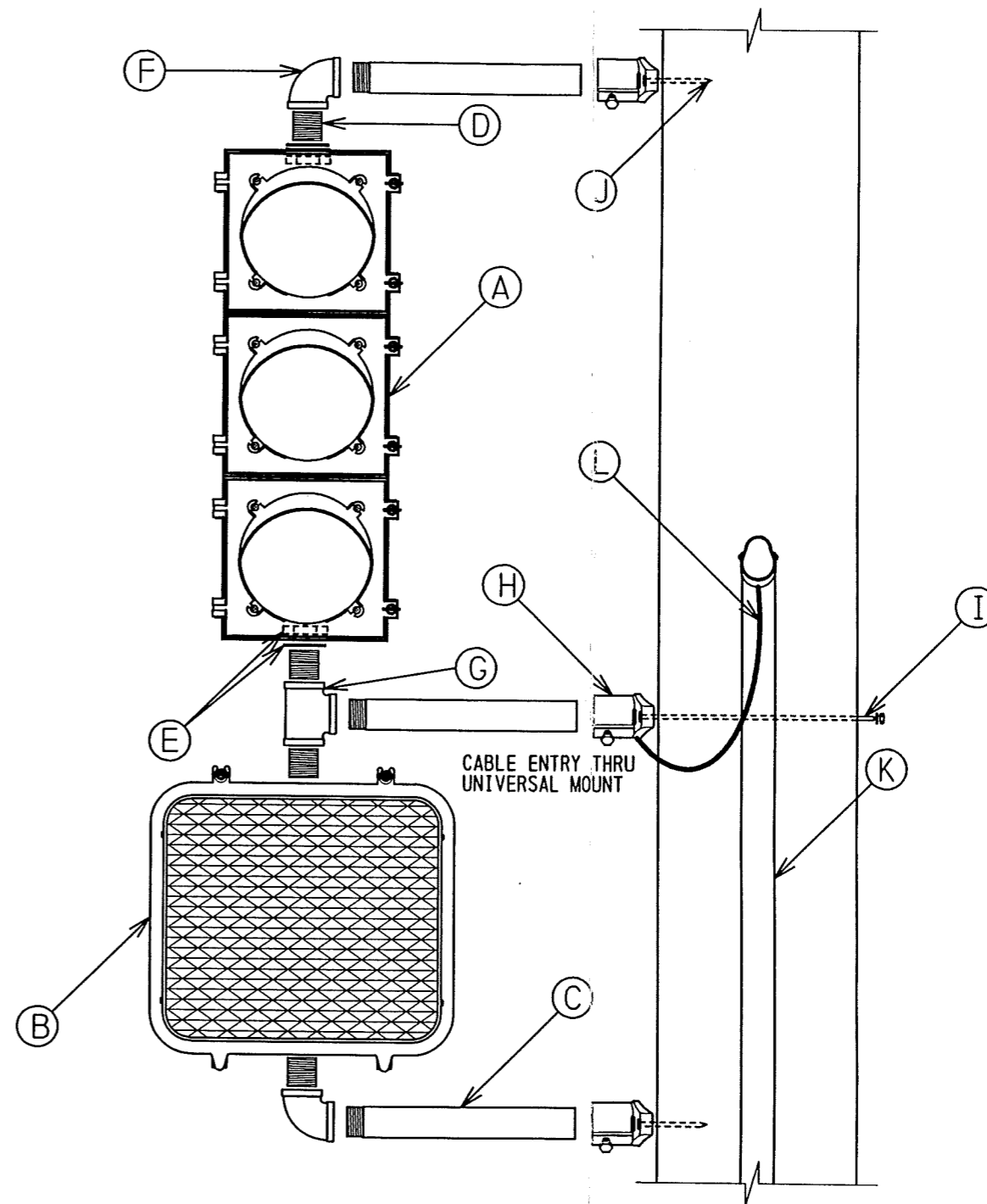
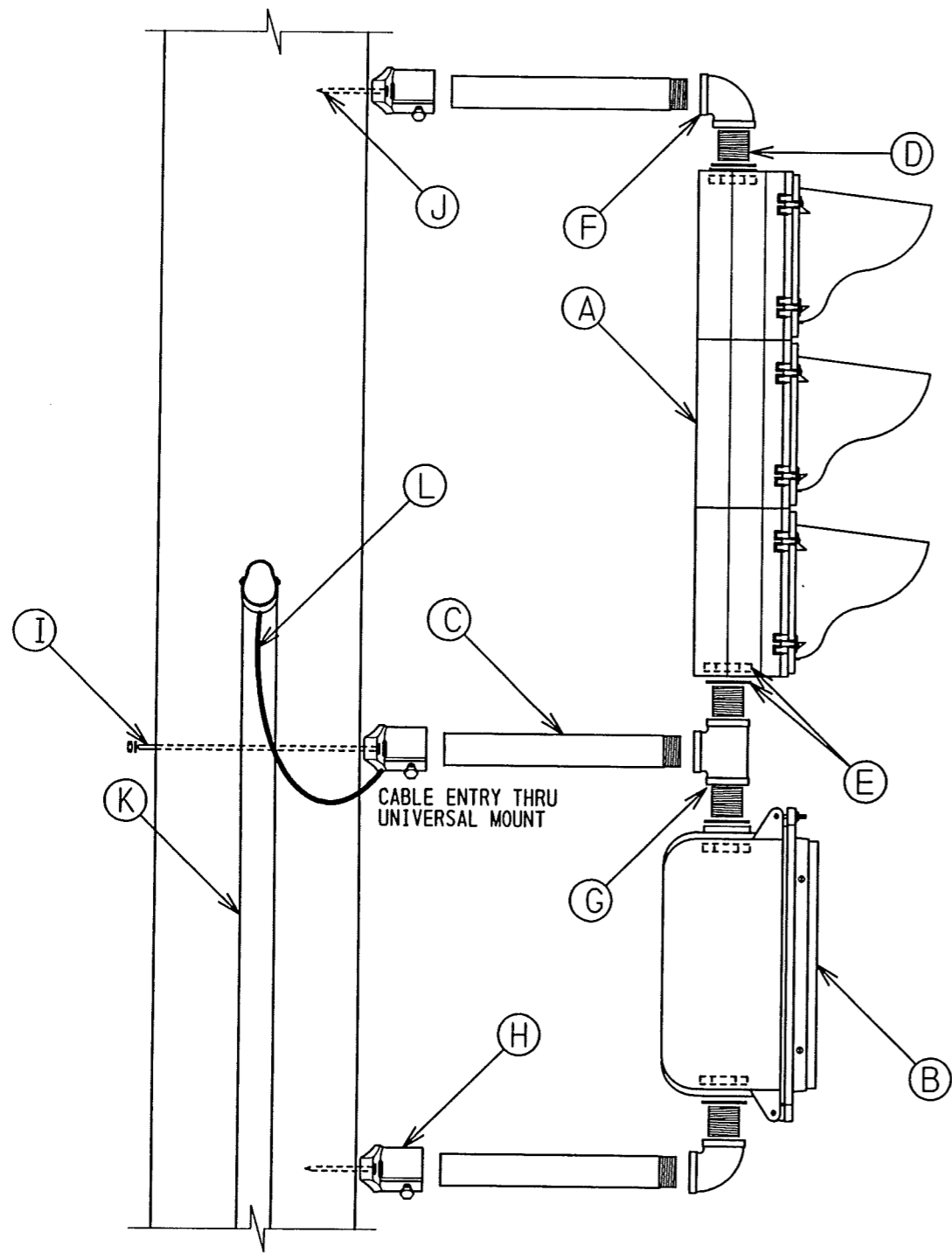
NIPPLE LENGTHS VARY DEPENDING ON POLE ALIGNMENT AND CLEARANCE FROM TRAFFIC.  
STANDARD LENGTHS OF NIPPLE FROM END TO END ARE 6, 7 1/2, 12, 14 AND 32 INCHES  
PIPE THREAD IS 1" AT EACH END

ALL DIMENSIONS IN MILLIMETERS UNLESS OTHERWISE SPECIFIED

STANDARD POLE MOUNT FIXTURES  
TRAFFIC & SPLIT WALK/WAIT LIGHTS



Scale: 1 : 10	Date Approved:	Approved:	Revision No.:	Drawing No.:
------------------	----------------	-----------	---------------	--------------



**HARDWARE REQUIREMENTS**

ITEM	DESCRIPTION	QUANTITY
A	TRAFFIC LIGHTS AS SPECIFIED	1
B	IDC 18" WALK / WAIT LIGHT	1
C	1 1/2" x 14" GALVANIZED RIGID CONDUIT	3
D	1 1/2" CLOSE NIPPLE	4
E	1 1/2" LOCK NUT c/w FIBRE WASHER	4
F	1 1/2" RLY - L	2
G	1 1/2" RLY - T	1
H	UNIVERSAL POLE MOUNT	3
I	5/8" x 14" (VARIES) BOLT c/w NUT & WASHER	2
J	5/8" x 4" LAG SCREW	4
K	2" LATERAL c/w WEATHERHEAD, ADAPTER & STRAPPING	1
L	IMSA SIGNALS CABLE	VARIES

**NOTE :**

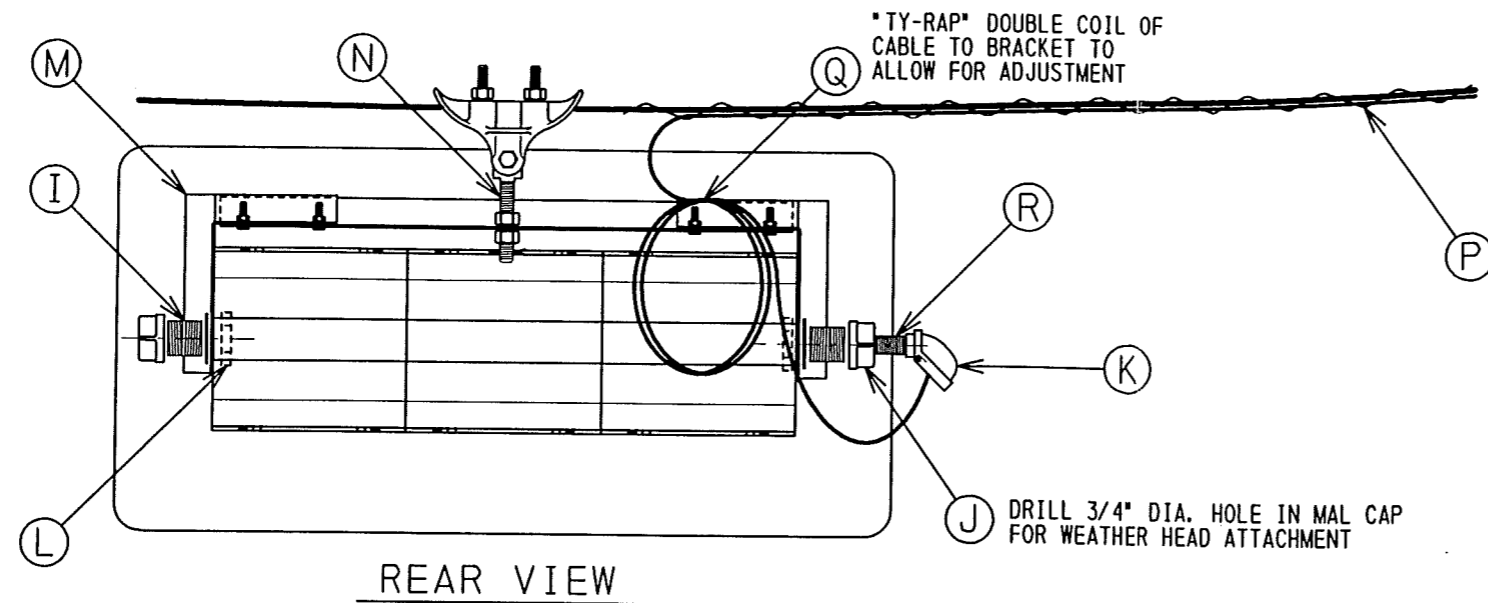
NIPPLE LENGTHS VARY DEPENDING ON POLE ALIGNMENT AND CLEARANCE FROM TRAFFIC.  
 STANDARD LENGTHS OF NIPPLE FROM END TO END ARE 6, 7 1/2, 12, 14 AND 32 INCHES  
 PIPE THREAD IS 1" AT EACH END.  
 LENGTH OF 5/8" BOLT VARIES DEPENDING ON WIDTH OF WOOD POLE

ALL DIMENSIONS IN MILLIMETERS UNLESS OTHERWISE SPECIFIED

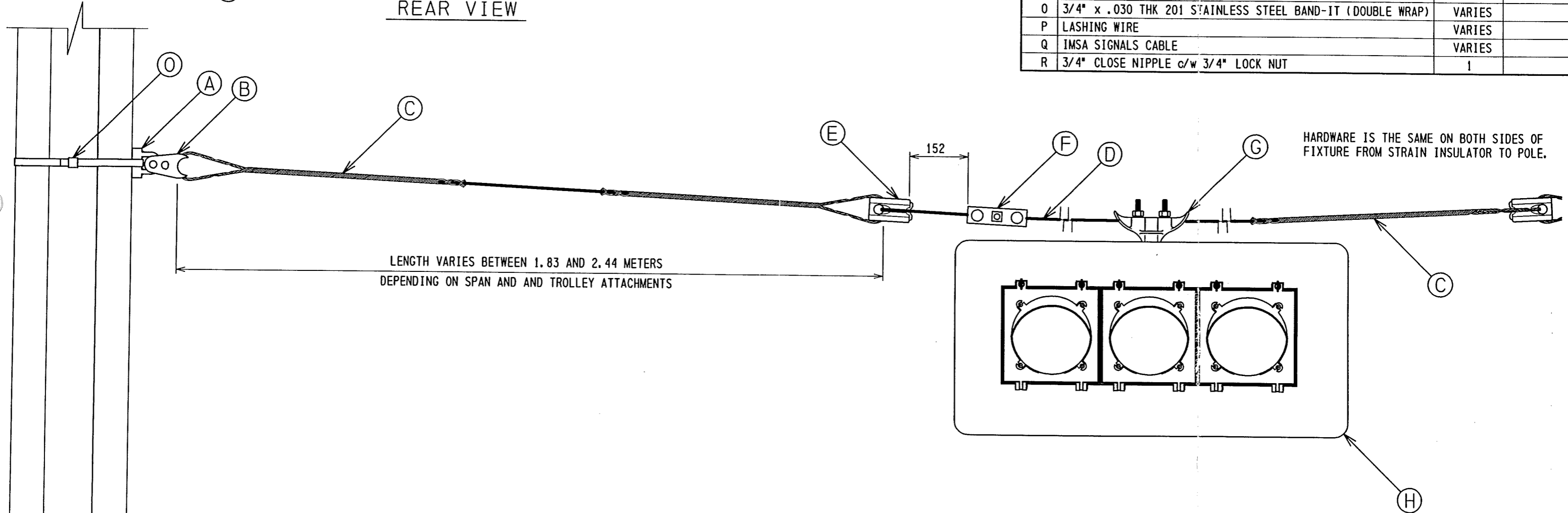
**WOOD POLE MOUNTED FIXTURES  
 TRAFFIC AND WALK/WAIT LIGHTS**



Scale:	Date Approved:	Approved:	Revision No.	Drawing No.
1 : 10				



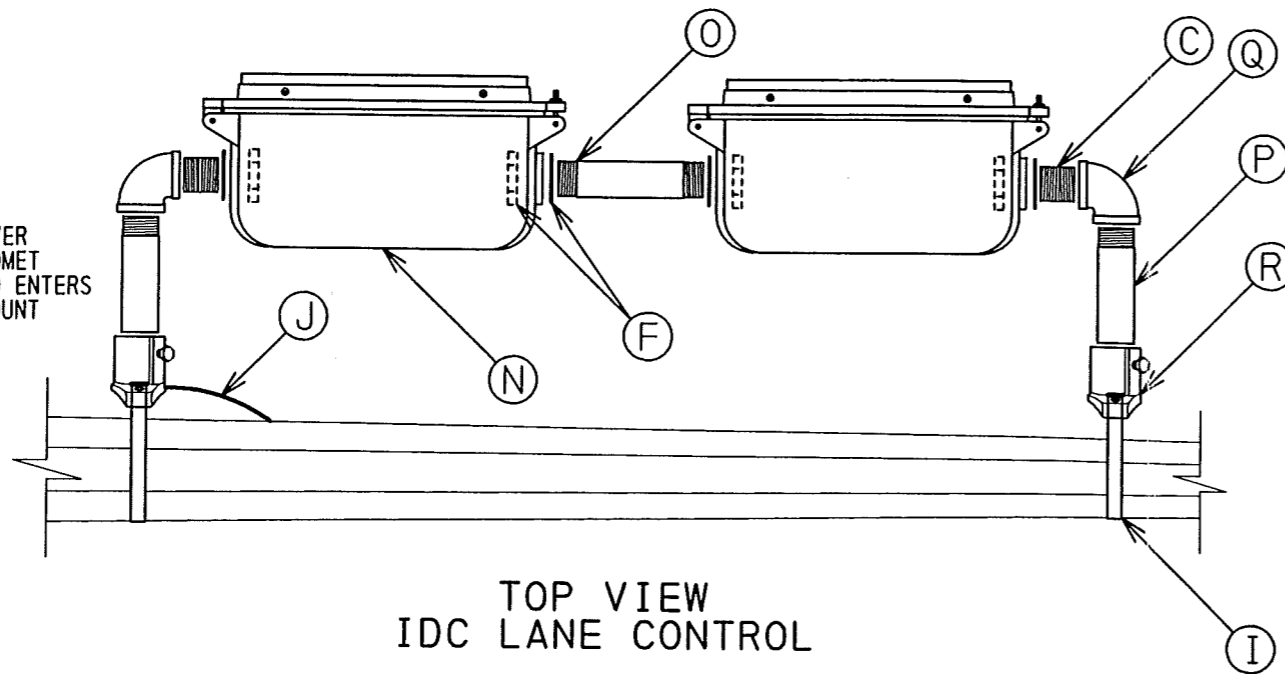
HARDWARE REQUIREMENTS			
ITEM	DESCRIPTION	QUANTITY	
A	"D" RING	2	
B	DEAD END CLEVIS	2	
C	5/16" GUY WIRE PREFORM	5	
D	5/16" GUY WIRE	VARIES	
E	502 STRAIN INSULATOR	2	
F	3 BOLT CLAMP	1	
G	GUY WIRE HANGER	1	
H	BACK BOARD (SIZE VARIES WITH NUMBER OF FIXTURES)	1	
I	1 1/2" CLOSE NIPPLE	2	
J	1 1/2" MAL CAP	2	
K	3/4" WEATHERHEAD	1	
L	1 1/2" LOCK NUT c/w FIBER WASHER	2	
M	HANGER BRACKET (SIZE VARIES WITH NUMBER OF FIXTURES)	1	
N	OHBS HANGER BOLT	1	
O	3/4" x .030 THK 201 STAINLESS STEEL BAND-IT (DOUBLE WRAP)	VARIES	
P	LASHING WIRE	VARIES	
Q	IMSA SIGNALS CABLE	VARIES	
R	3/4" CLOSE NIPPLE c/w 3/4" LOCK NUT	1	



ALL DIMENSIONS IN MILLIMETERS UNLESS OTHERWISE SPECIFIED

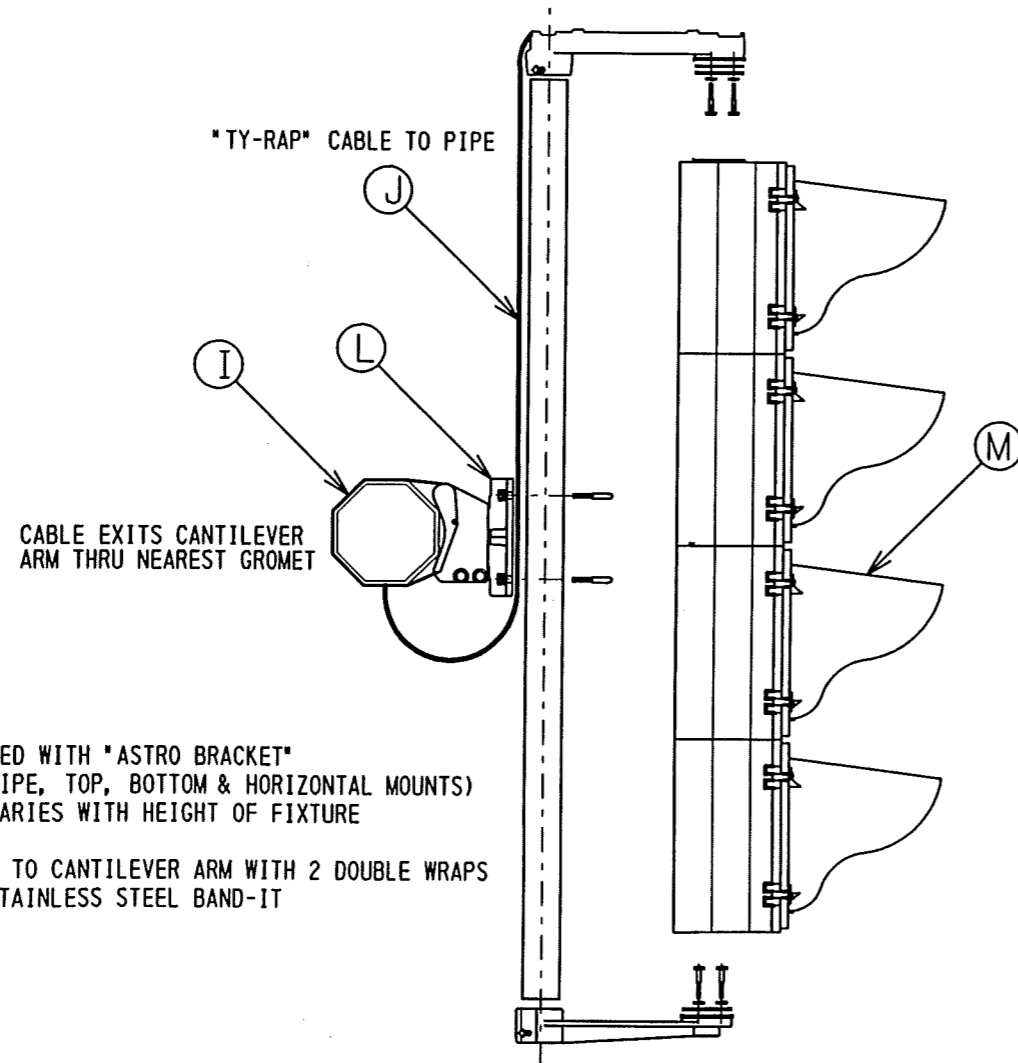
STANDARD GUYWIRE CONNECTION FOR OVERHEAD FIXTURES		THE CITY OF <b>Edmonton</b> TRANSPORTATION AND STREETS TRAFFIC OPERATIONS BRANCH	
Scale:	Date Approved:	Approved:	Revision No.
1 : 10			Drawing No.

CABLE EXITS CANTILEVER ARM THRU NEAREST GROMET AT BOTTOM OF ARM AND ENTERS THROUGH UNIVERSAL MOUNT



TOP VIEW  
IDC LANE CONTROL

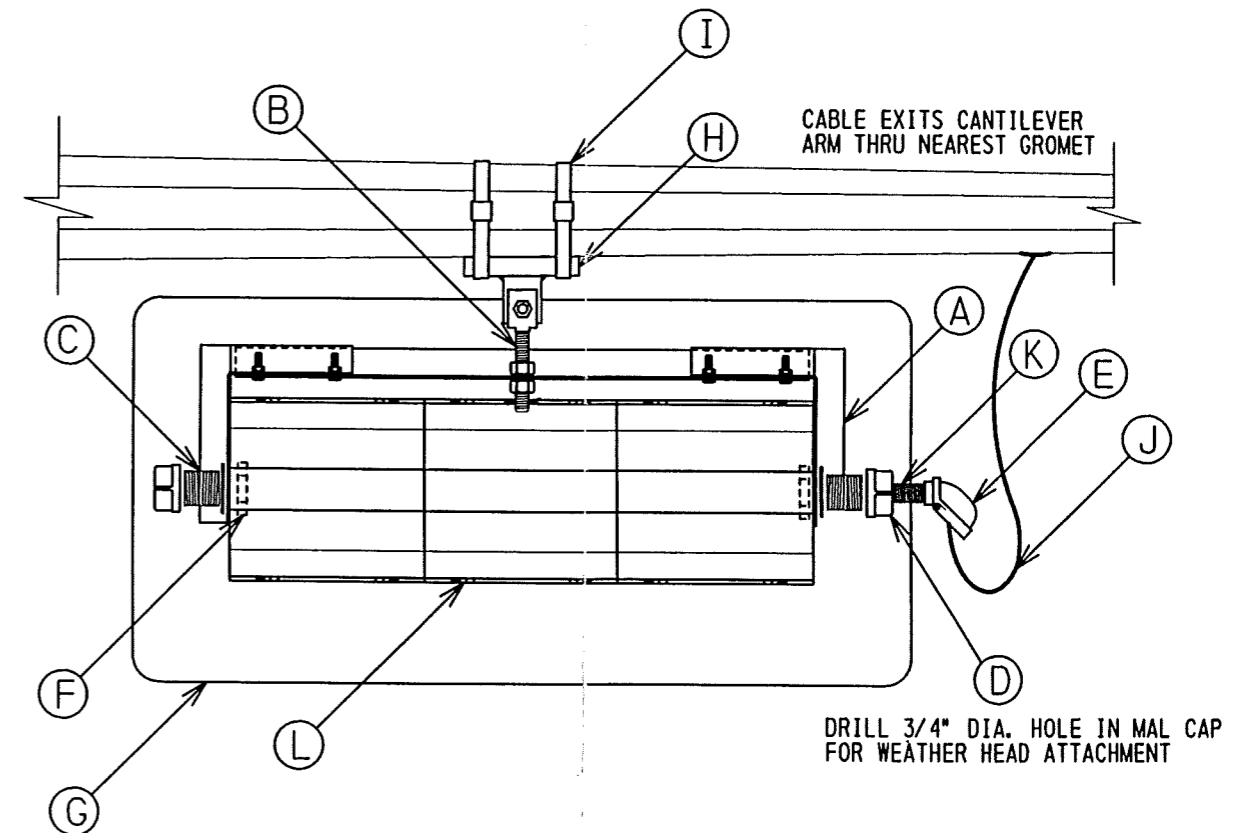
HARDWARE REQUIREMENTS		
ITEM	DESCRIPTION	QUANTITY
A	HANGER BRACKET (SIZE VARIES WITH NUMBER OF FIXTURES)	1
B	OHBS HANGER BOLT	1
C	1 1/2" CLOSE NIPPLE	2
D	1 1/2" MAL CAP	2
E	3/4" WEATHERHEAD	1
F	1 1/2" LOCK NUT c/w FIBRE WASHER	2
G	BACK BOARD (SIZE VARIES WITH NUMBER OF FIXTURES)	1
H	"T" HANGER	1
I	3/4" x .030 THK 201 STAINLESS STEEL BAND-IT (DOUBLE WRAP)	2
J	IMSA SIGNALS CABLE	VARIES
K	3/4" CLOSE NIPPLE c/w 3/4" LOCK NUT	1
L	VERTICAL FIXTURE MOUNTING BRACKET (ASTRO BRACKET)	1
M	TRAFFIC LIGHTS AS SPECIFIED	2
N	IDC 18" LANE CONTROL	2
O	1 1/2" x 7 1/2" GALVANIZED RIGID CONDUIT (GRC)	1
P	1 1/2" x 6" GRC	2
Q	1 1/2" RLY - L	2
R	UNIVERSAL POLE MOUNT	2



SIDE VIEW  
VERTICAL TRAFFIC LIGHTS

NOTE :

- VERTICAL FIXTURES INSTALLED WITH "ASTRO BRACKET" (COMES COMPLETE WITH 2" PIPE, TOP, BOTTOM & HORIZONTAL MOUNTS) LENGTH OF ALUMINUM PIPE VARIES WITH HEIGHT OF FIXTURE
- HORIZONTAL MOUNT FASTENED TO CANTILEVER ARM WITH 2 DOUBLE WRAPS OF 3/4" x .030 THK. 201 STAINLESS STEEL BAND-IT

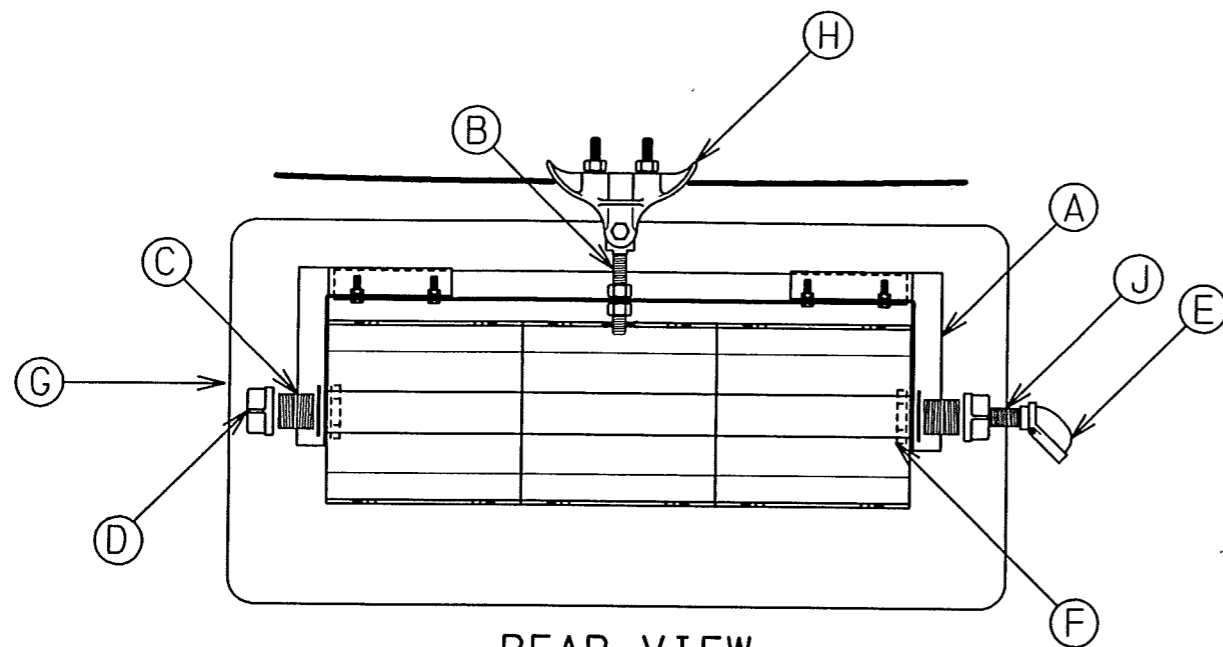


REAR VIEW  
HORIZONTAL TRAFFIC LIGHTS

CANTILEVER MOUNTED  
HORIZONTAL & VERTICAL FIXTURES

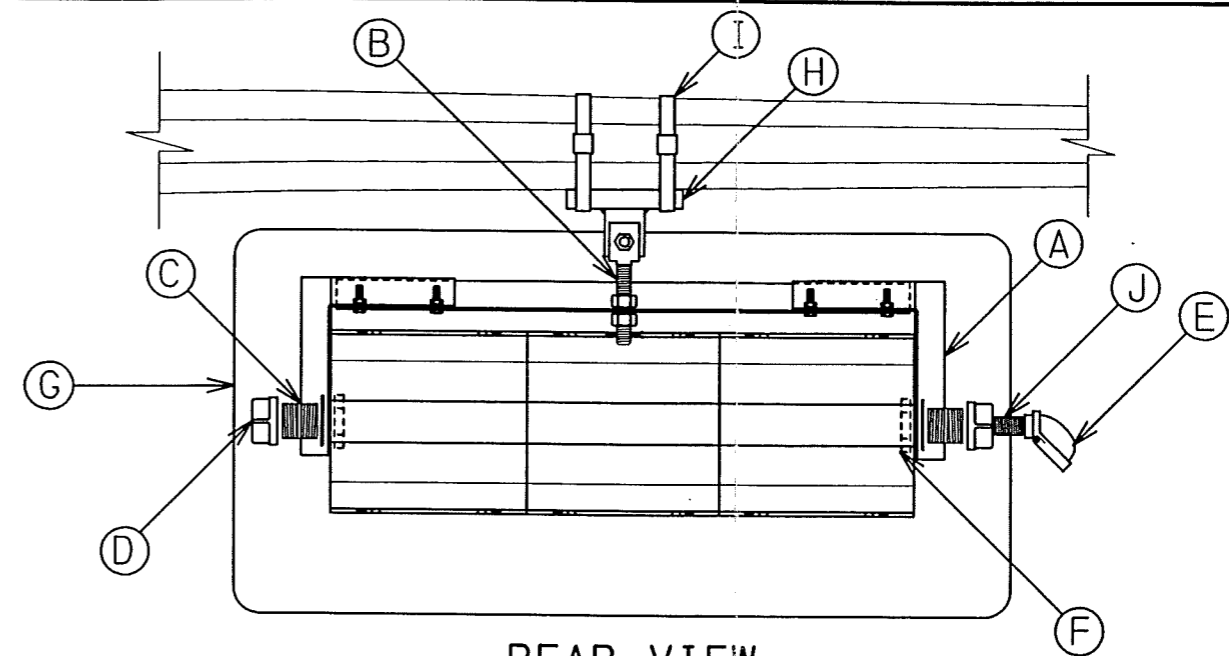


Scale: 1 : 10	Date Approved:	Approved:	Revision No.	Drawing No.
------------------	----------------	-----------	--------------	-------------



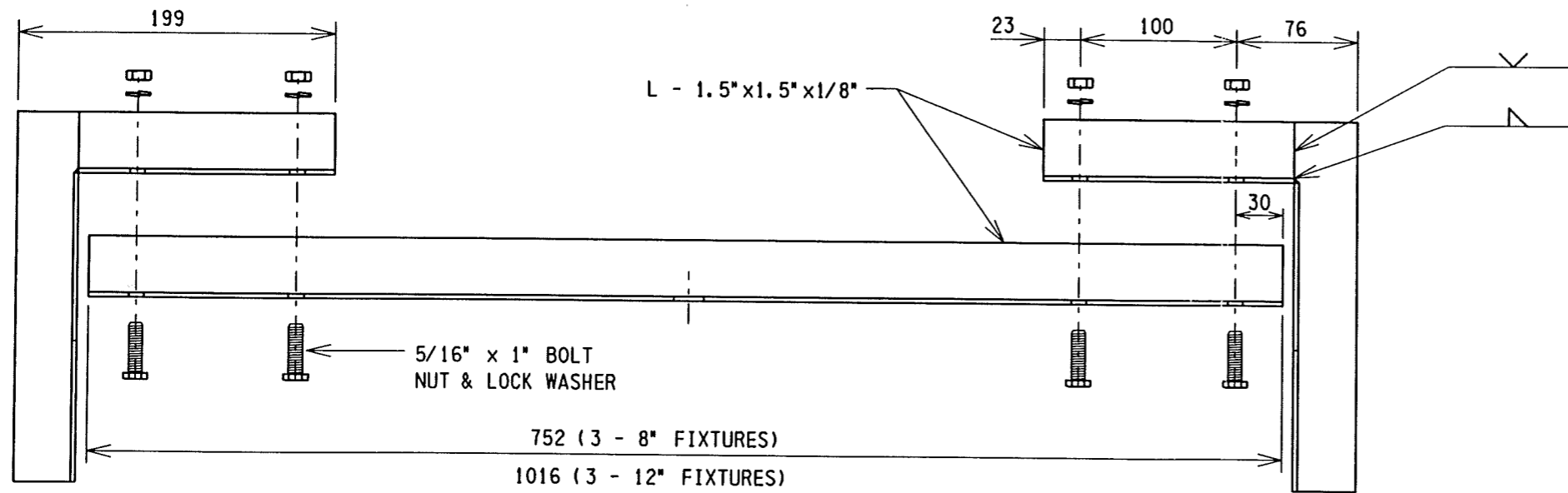
REAR VIEW  
GUY WIRE ATTACHMENT

1 : 10

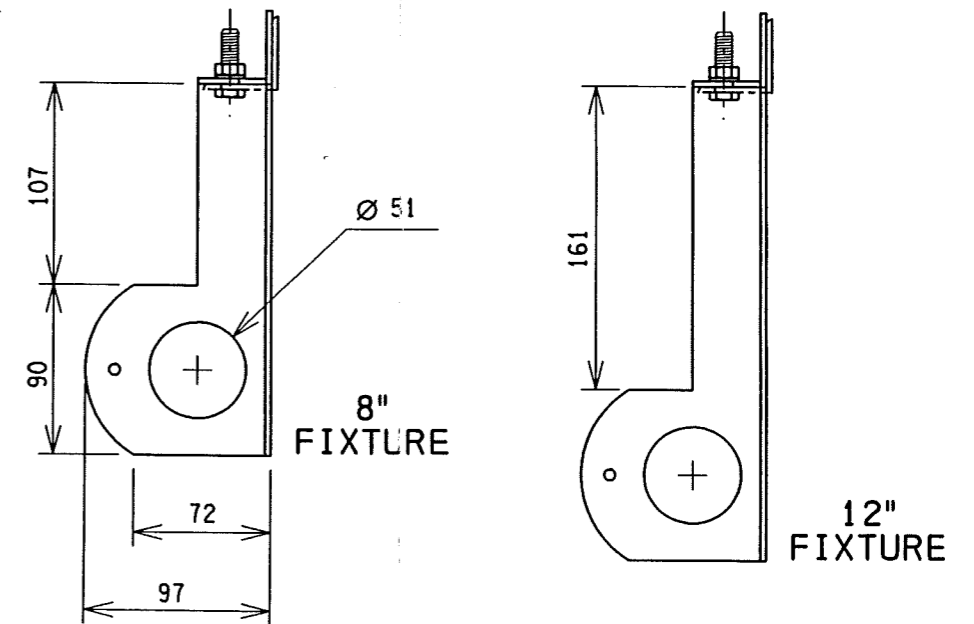


REAR VIEW  
CANTILEVER ATTACHMENT

1 : 10



FRONT VIEW




SIDE VIEW (ASSEMBLED)

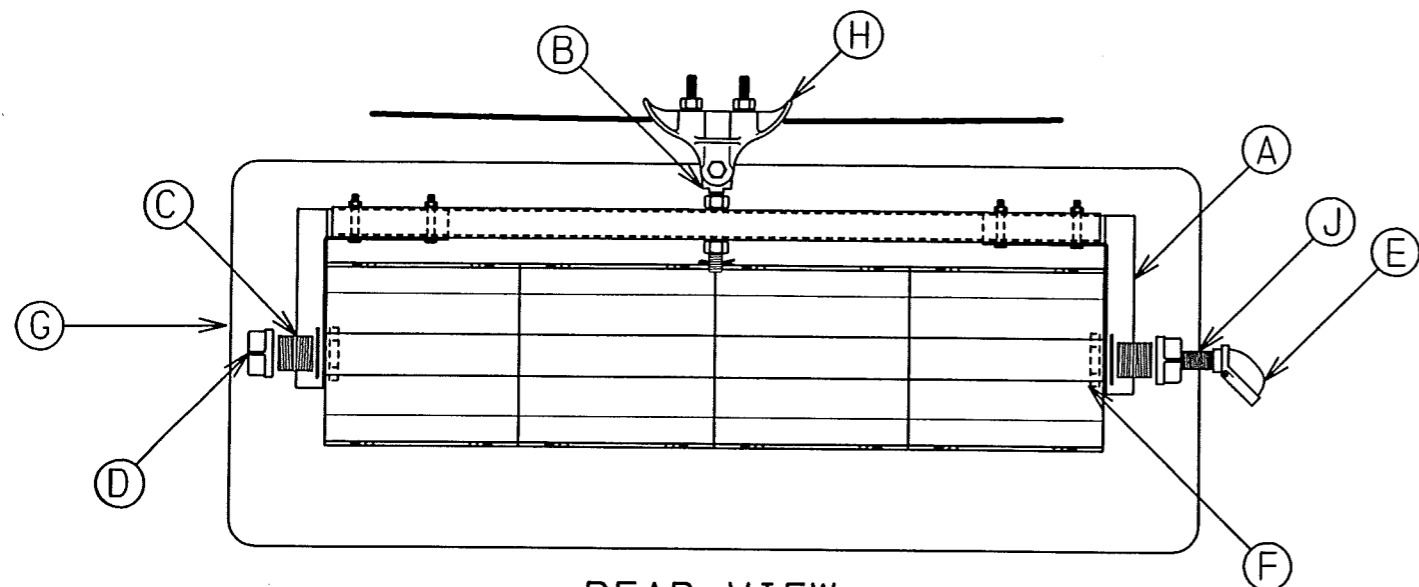
HEIGHT OF BRACKET VARIES  
BETWEEN 8" AND 12" FIXTURES

HARDWARE REQUIREMENTS

ITEM	DESCRIPTION	QUANTITY
A	HANGER BRACKET (SIZE VARIES WITH NUMBER OF FIXTURES)	1
B	OHBS HANGER BOLT	1
C	1 1/2" CLOSE NIPPLE	2
D	1 1/2" MAL CAP	2
E	3/4" WEATHERHEAD	1
F	1 1/2" LOCK NUT c/w FIBRE WASHER	2
G	BACK BOARD (SIZE VARIES WITH NUMBER OF FIXTURES)	1
H	GUY WIRE HANGER (O/H) OR "T" HANGER (CANTILEVER)	1
I	3/4" x .030 THK 201 STAINLESS STEEL BAND-IT (DOUBLE WRAP)	2
J	3/4" CLOSE NIPPLE c/w 3/4" LOCK NUT	1

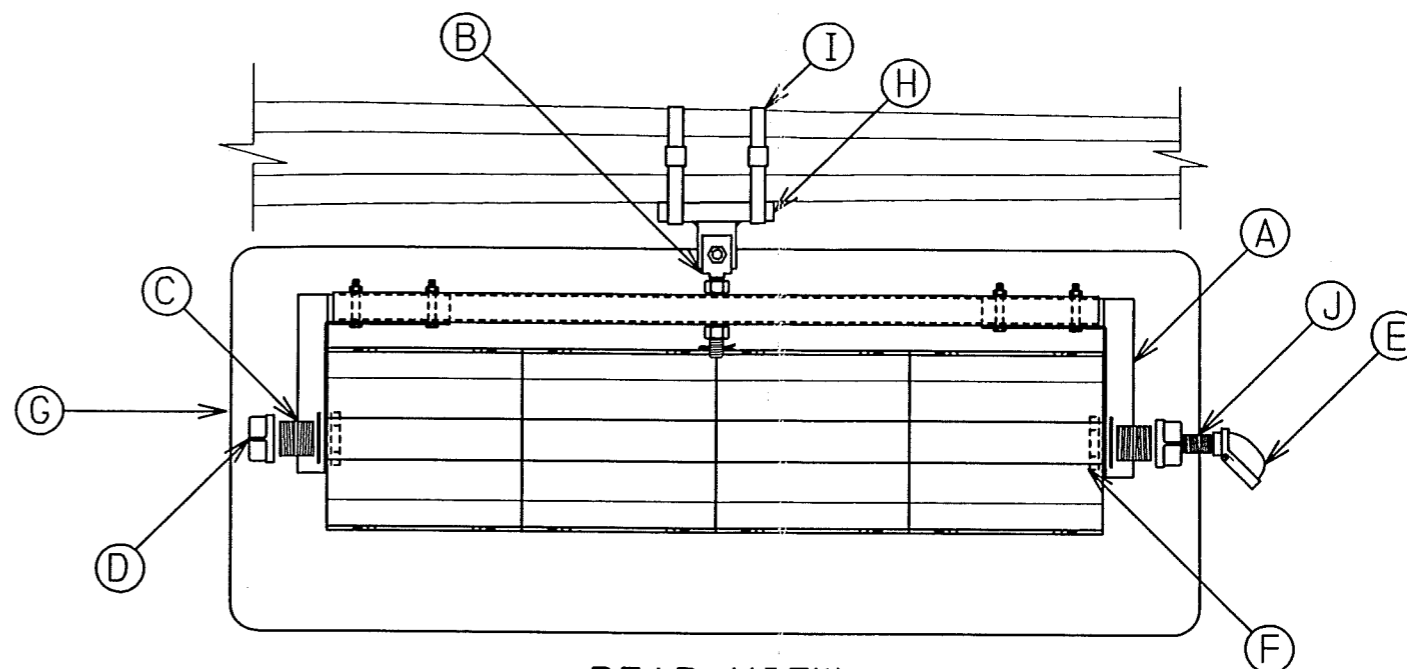
ALL DIMENSIONS IN MILLIMETERS UNLESS OTHERWISE SPECIFIED

BRACKET FOR 3 LIGHT OVERHEAD FIXTURES		 THE CITY OF <b>Edmonton</b> TRANSPORTATION AND STREETS TRAFFIC OPERATIONS BRANCH	
Scale: 1 : 4	Date Approved:	Approved:	Revision No. / Drawing No.



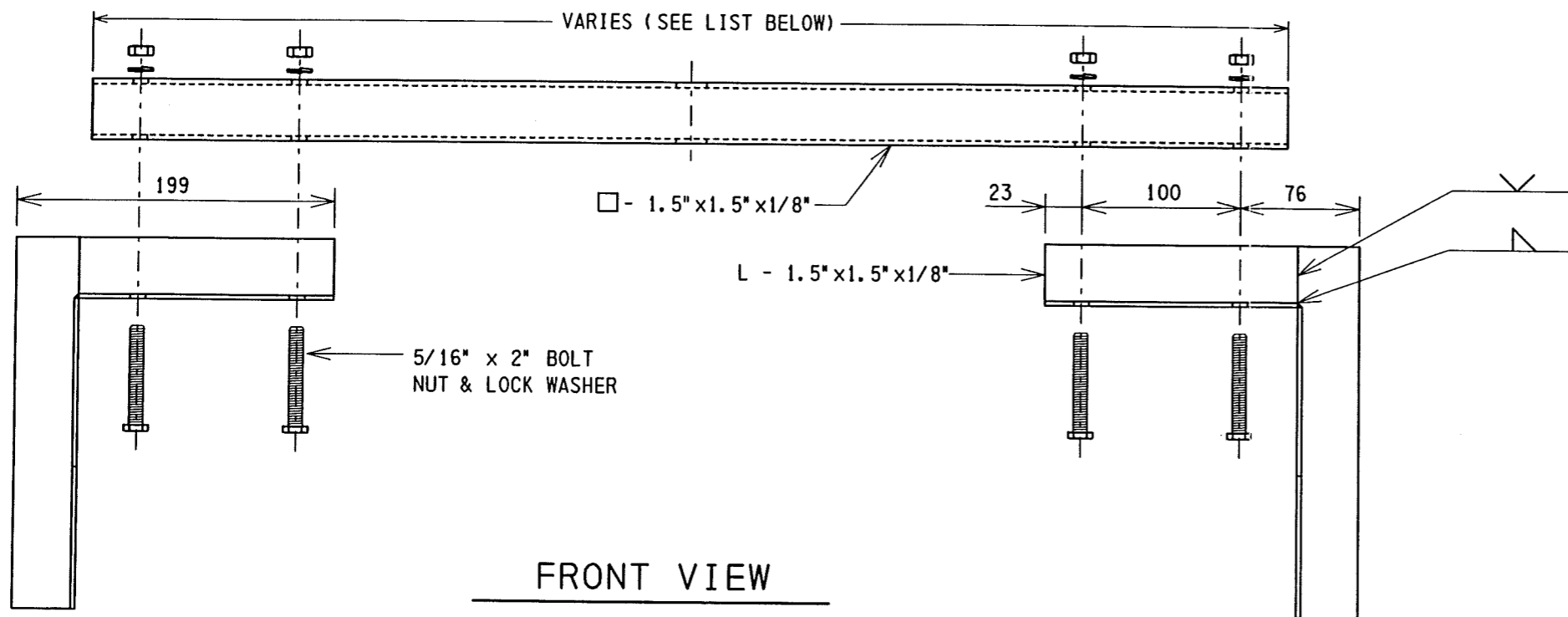
REAR VIEW  
GUY WIRE ATTACHMENT

1 : 10

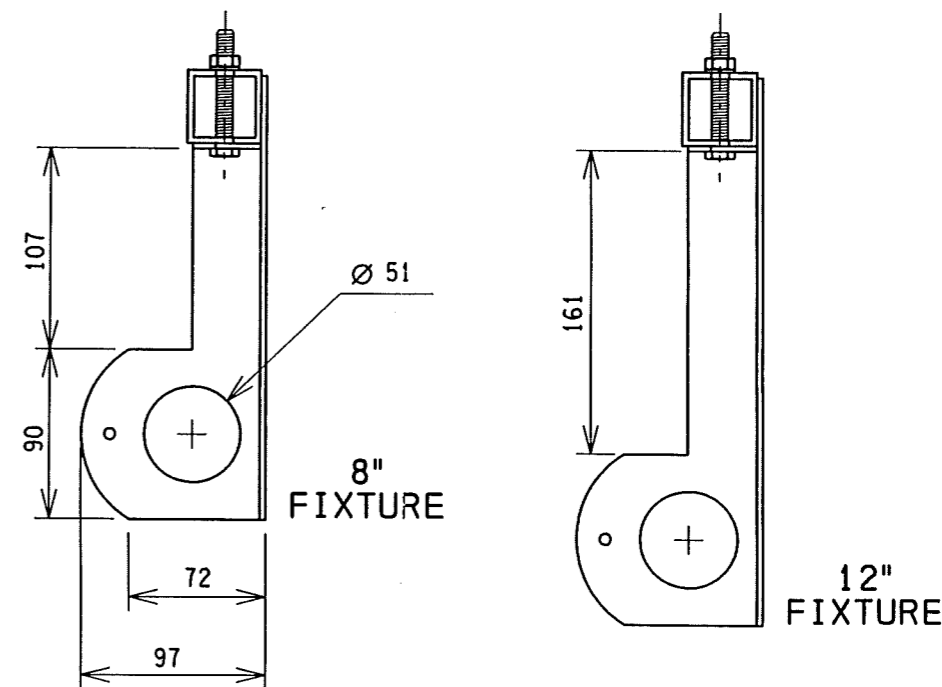


REAR VIEW  
CANTILEVER ATTACHMENT

1 : 10



FRONT VIEW



SIDE VIEW (ASSEMBLED)

HEIGHT OF BRACKET VARIES  
BETWEEN 8" AND 12" FIXTURES

ALL DIMENSIONS IN MILLIMETERS UNLESS OTHERWISE SPECIFIED

HARDWARE REQUIREMENTS

ITEM	DESCRIPTION	QUANTITY
A	HANGER BRACKET (SIZE VARIES WITH NUMBER OF FIXTURES)	1
B	OHBS HANGER BOLT	1
C	1 1/2" CLOSE NIPPLE	2
D	1 1/2" MAL CAP	2
	3/4" WEATHERHEAD	1
F	1 1/2" LOCK NUT c/w FIBRE WASHER	2
G	BACK BOARD (SIZE VARIES WITH NUMBER OF FIXTURES)	1
H	GUY WIRE HANGER (O/H) OR "T" HANGER (CANTILEVER)	1
I	3/4" x .030 THK 201 STAINLESS STEEL BAND-IT (DOUBLE WRAP)	2
J	3/4" CLOSE NIPPLE c/w 3/4" LOCK NUT	1

LENGTH OF SQUARE TUBING

4 - 8" LIGHTS	= 1006
5 - 8" LIGHTS	= 1262
4 - 12" LIGHTS	= 1368
5 - 12" LIGHTS	= 1756

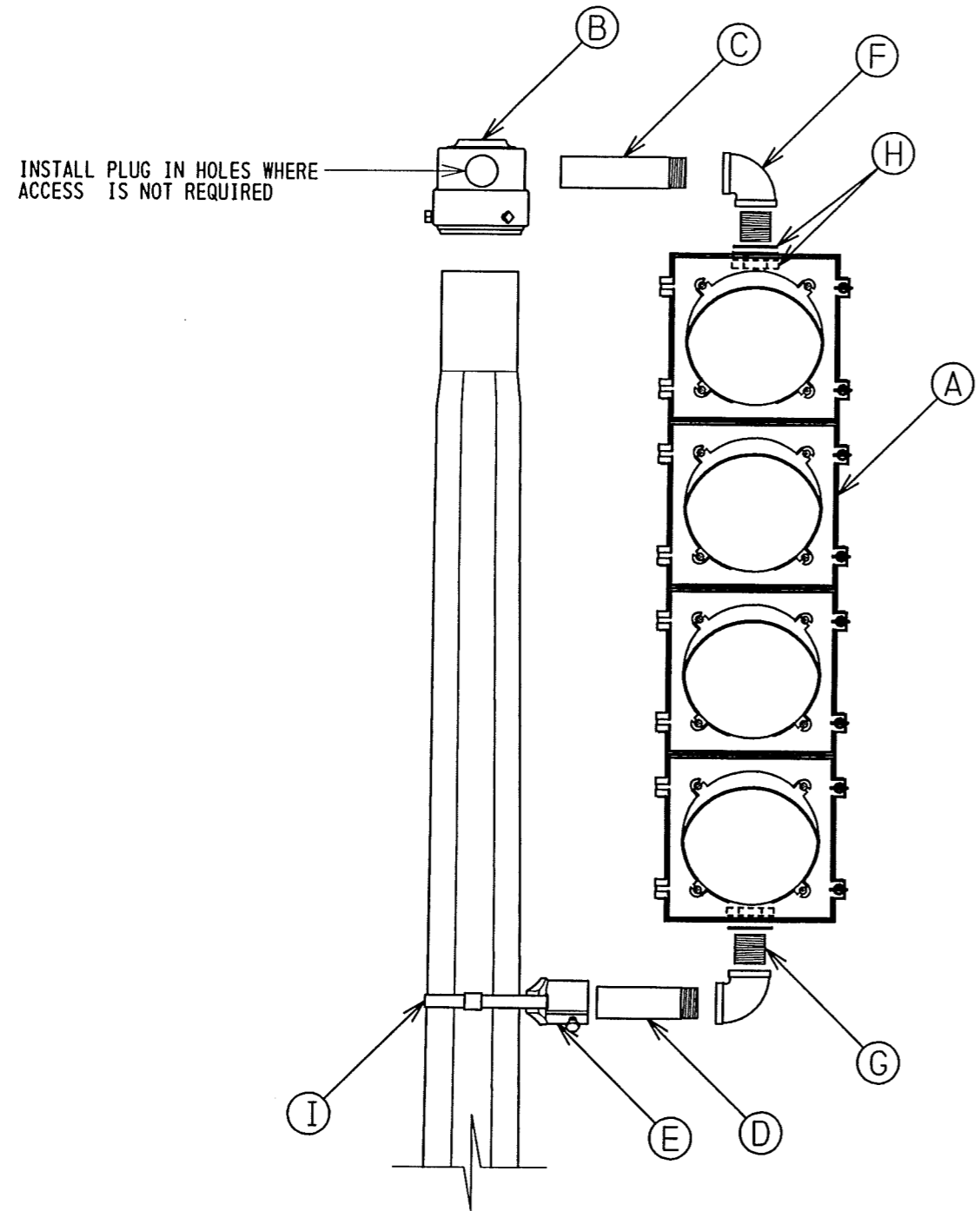
BRACKET FOR  
4 & 5 LIGHT OVERHEAD FIXTURES



Scale:	Date Approved:	Approved:	Revision No.	Drawing No.
1 : 4				


HARDWARE REQUIREMENTS

ITEM	DESCRIPTION	QUANTITY
A	TRAFFIC LITE AS SPECIFIED	1
B	PEDESTAL CAP	1
C	1 1/2" x 7 1/2" GALVANIZED RIGID CONDUIT (GRC)	1
D	1 1/2" x 6" GRC	1
E	UNIVERSAL POLE MOUNT	1
F	1 1/2" RLY - L	2
G	1 1/2" CLOSE NIPPLE	2
H	1 1/2" LOCK NUT c/w FIBRE WASHER	2
I	3/4" x .030 THK 201 STAINLESS STEEL BAND-IT (DOUBLE WRAP)	1

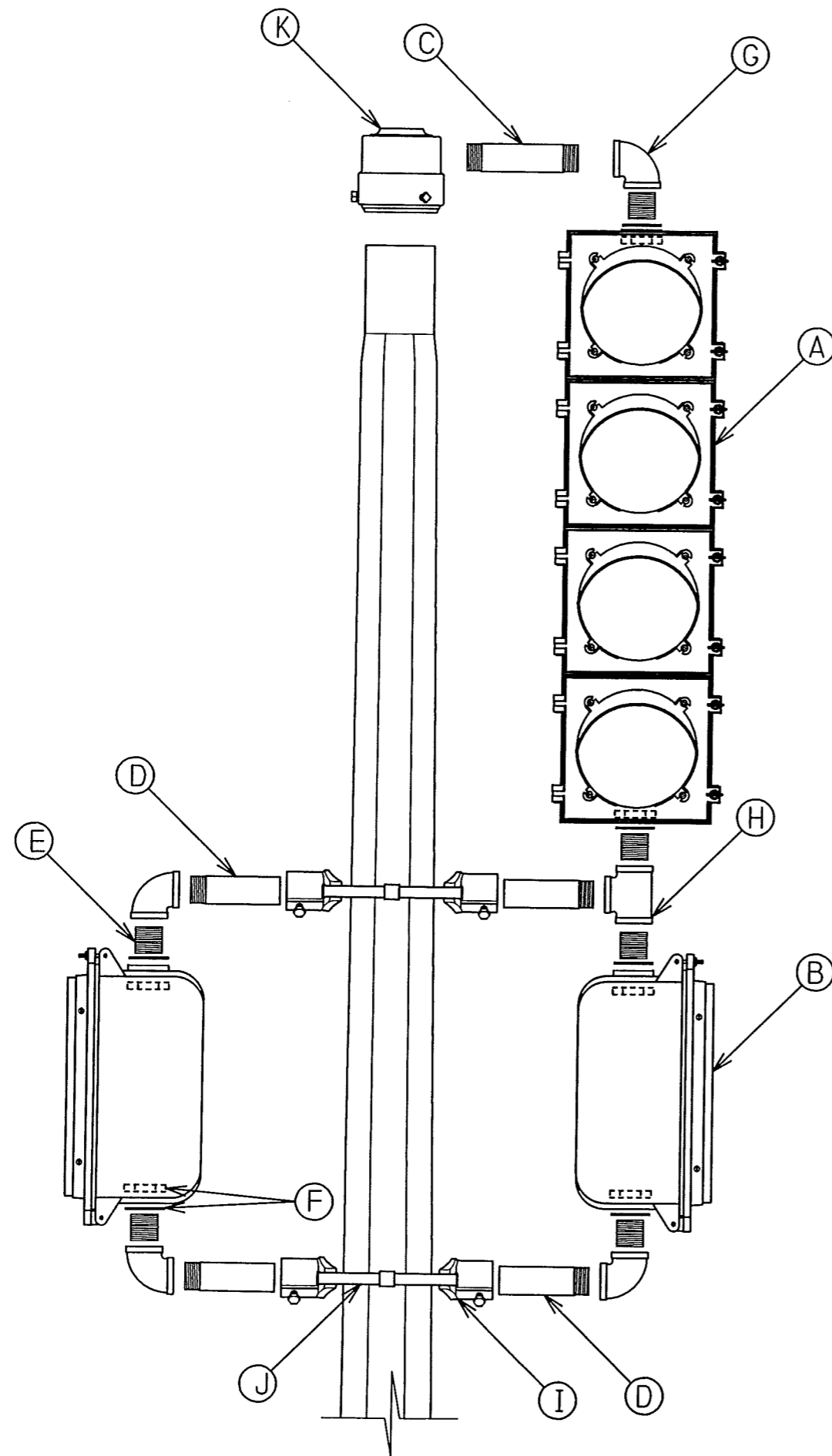


NOTE :  
 NIPPLE LENGTHS VARY DEPENDING ON POLE ALIGNMENT AND CLEARANCE FROM TRAFFIC.  
 STANDARD LENGTHS OF NIPPLE FROM END TO END ARE 6, 7 1/2, 12, 14 AND 32 INCHES  
 PIPE THREAD IS 1" AT EACH END

ALL DIMENSIONS IN MILLIMETERS UNLESS OTHERWISE SPECIFIED

STANDARD PEDESTAL MOUNT FIXTURE		 THE CITY OF TRANSPORTATION AND STREETS TRAFFIC OPERATIONS BRANCH	
Scale: 1 : 10	Date Approved:	Approved:	Revision No.
			Drawing No.






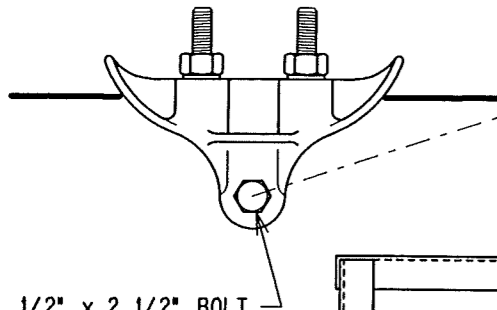
HARDWARE REQUIREMENTS		
ITEM	DESCRIPTION	QUANTITY
A	TRAFFIC LITE AS SPECIFIED	1
B	IDC 18" WALK / WAIT LITE	2
C	1 1/2" x 7 1/2" GALVANIZED RIGID CONDUIT (GRC)	1
D	1 1/2" x 6" GRC	4
E	1 1/2" CLOSE NIPPLE	6
F	1 1/2" LOCK NUT c/w FIBRE WASHER	6
G	1 1/2" RLY - L	4
H	1 1/2" RLY - T	1
I	UNIVERSAL POLE MOUNT	4
J	3/4" x .030 THK 201 STAINLESS STEEL BAND-IT (DOUBLE WRAP)	1
K	PEDESTAL CAP	1

NOTE :  
 NIPPLE LENGTHS VARY DEPENDING ON POLE ALIGNMENT AND CLEARANCE FROM TRAFFIC.  
 STANDARD LENGTHS OF NIPPLE FROM END TO END ARE 6, 7 1/2, 12, 14 AND 32 INCHES  
 PIPE THREAD IS 1" AT EACH END

ALL DIMENSIONS IN MILLIMETERS UNLESS OTHERWISE SPECIFIED

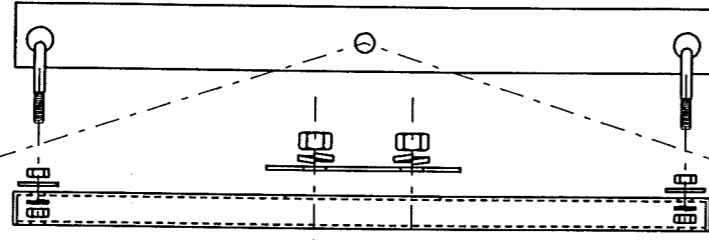
PEDESTAL MOUNT FIXTURES TRAFFIC AND WALK/WAIT LIGHTS		 THE CITY OF EDMONTON TRANSPORTATION AND STREETS TRAFFIC OPERATIONS BRANCH	
Scale: 1 : 10	Date Approved:	Approved:	Revision No. / Drawing No.

**OVERHEAD ATTACHMENT  
USING GUY WIRE HANGER**

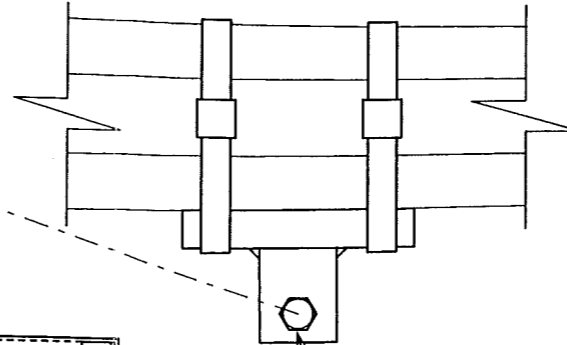


1/2" x 2 1/2" BOLT  
NUT & LOCK WASHER

**TOP MOUNTING ASSEMBLY  
C/W SIGN BOX FROM MANUFACTURER**



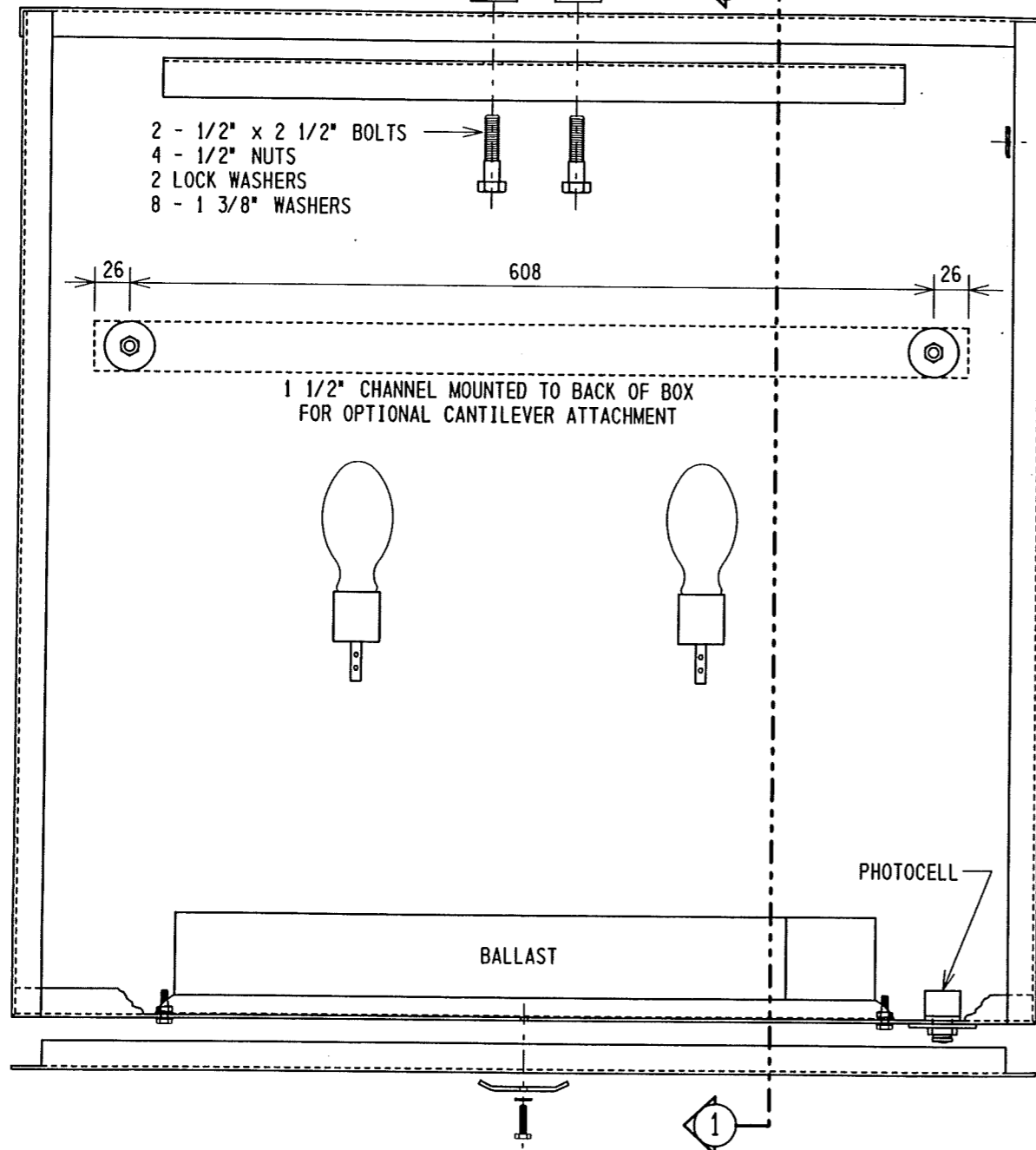
**CANTILEVER ATTACHMENT  
USING "T" HANGER**



1/2" x 2 1/2" BOLT  
NUT & LOCK WASHER

3/4" WEATHERHEAD  
3/4" CLOSE NIPPLE  
2 MALABLE LOCK NUTS

NOTE:  
FOR BOTH CANTILEVER ATTACHMENTS  
2 DOUBLE WRAPS OF 3/4" x .030 THK  
201 STAINLESS STEEL BAND-IT REQ'D.



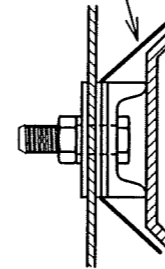
2 - 1/2" x 2 1/2" BOLTS  
4 - 1/2" NUTS  
2 LOCK WASHERS  
8 - 1 3/8" WASHERS

26 608 26  
1 1/2" CHANNEL MOUNTED TO BACK OF BOX  
FOR OPTIONAL CANTILEVER ATTACHMENT

PHOTOCELL

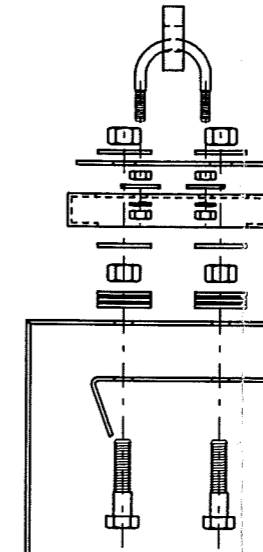
**FRONT VIEW**

BAND-IT PASSES THRU GAP  
CREATED BY WASHERS  
BETWEEN CHANNEL AND BOX



**DETAIL**

3/8" x 1" BOLT  
3/8" NUT & LOCK WASHER  
3 - 1 1/2" WASHERS  
1 1/2" x 660 CHANNEL



SEE DETAIL

OPTIONAL  
CANTILEVER  
ATTACHMENT

**SECTION**

ALL DIMENSIONS IN MILLIMETERS UNLESS OTHERWISE SPECIFIED

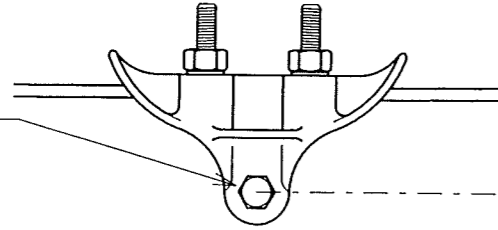
**OVERHEAD ATTACHMENT OF  
ILLUMINATED SIGN BOX**

THE CITY OF **Edmonton** TRANSPORTATION  
AND STREETS  
TRAFFIC OPERATIONS BRANCH

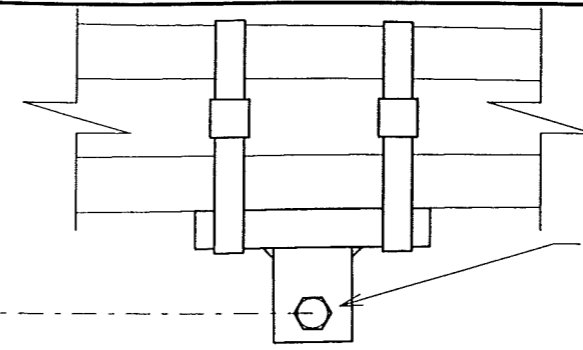
Scale: 1 : 5	Date Approved:	Approved:	Revision No.	Drawing No.
-----------------	----------------	-----------	--------------	-------------

OVERHEAD ATTACHMENT  
USING GUY WIRE HANGER

1/2" x 2 1/2" BOLT  
NUT & LOCK WASHER



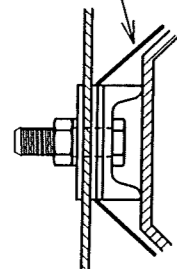
3/4" x 6 1/4" HANGER BOLT  
2 - 3/4" NUTS, LOCK WASHER  
AND COTTER PIN



1/2" x 2 1/2" BOLT  
NUT & LOCK WASHER

CANTILEVER ATTACHMENT  
USING "T" HANGER

BAND-IT PASSES THRU GAP  
CREATED BY WASHERS  
BETWEEN CHANNEL AND SIGN

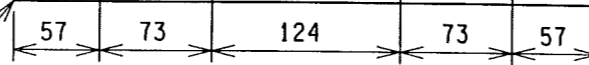


DETAIL

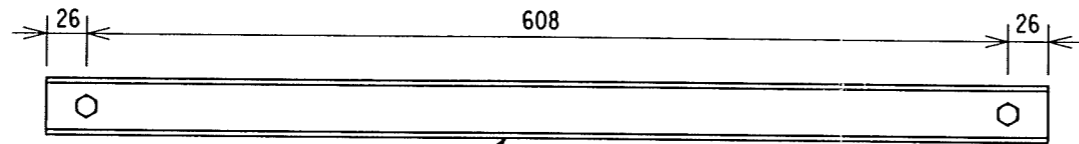
3/8" x 1" BOLT  
3/8" NUT & LOCK WASHER  
3 - 1 1/2" WASHERS

10 Ø  
TYP.

46



L - 1.5" x 1.5" x 1/8" x 384 LG.



C - 1.5" x 1/8" x 660 LG.

750 x 750  
V. I. P.  
ALUMINUM SIGN

3/8" x 1 1/2" BOLT  
3/8" NUT & LOCK WASHER

257

SEE DETAIL

493

OPTIONAL  
CANTILEVER  
ATTACHMENT

NOTE:  
FOR BOTH CANTILEVER ATTACHMENTS  
2 DOUBLE WRAPS OF 3/4" x .030 THK  
201 STAINLESS STEEL BAND-IT REQ'D.

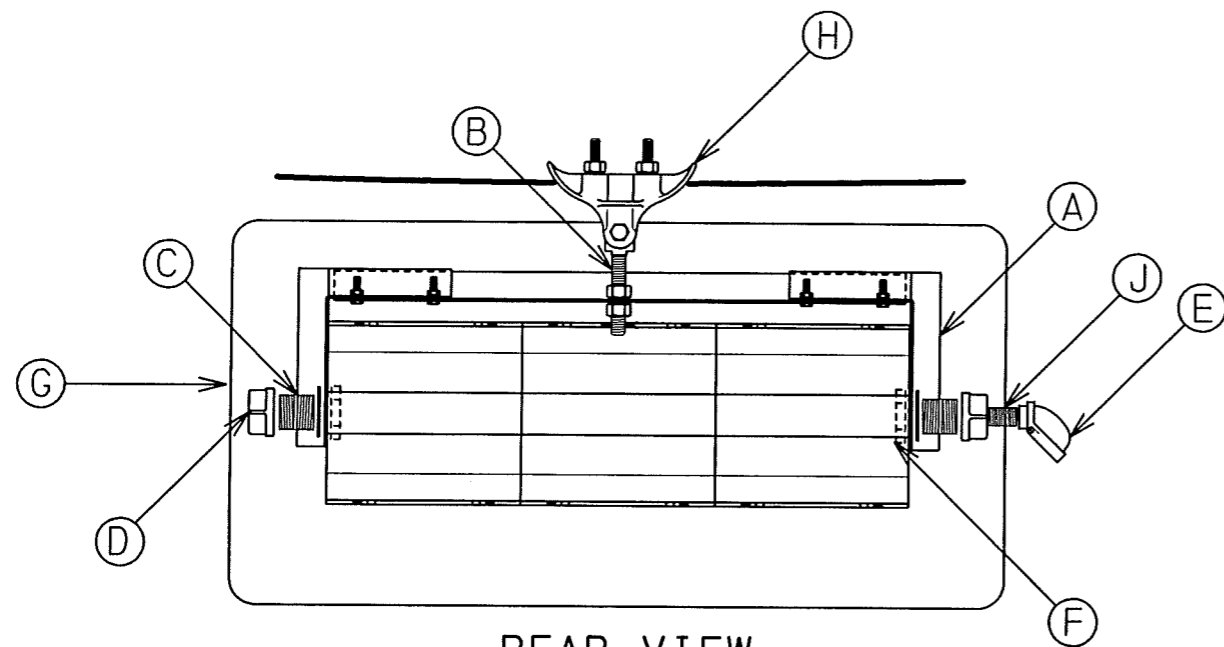
BACK VIEW

ALL DIMENSIONS IN MILLIMETERS UNLESS OTHERWISE SPECIFIED

OVERHEAD V. I. P.  
ALUMINUM SIGN

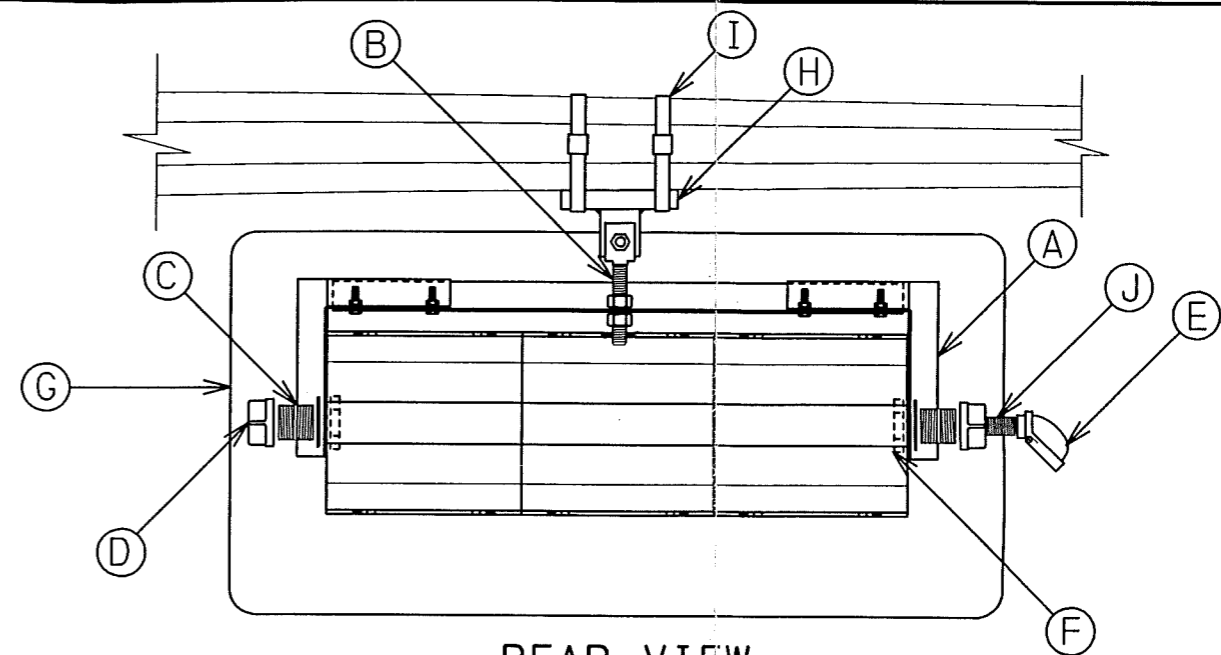
THE CITY OF  
**Edmonton** TRANSPORTATION  
AND STREETS  
TRAFFIC OPERATIONS BRANCH

Scale: 1 : 5	Date Approved:	Approved:	Revision No.	Drawing No.
-----------------	----------------	-----------	--------------	-------------



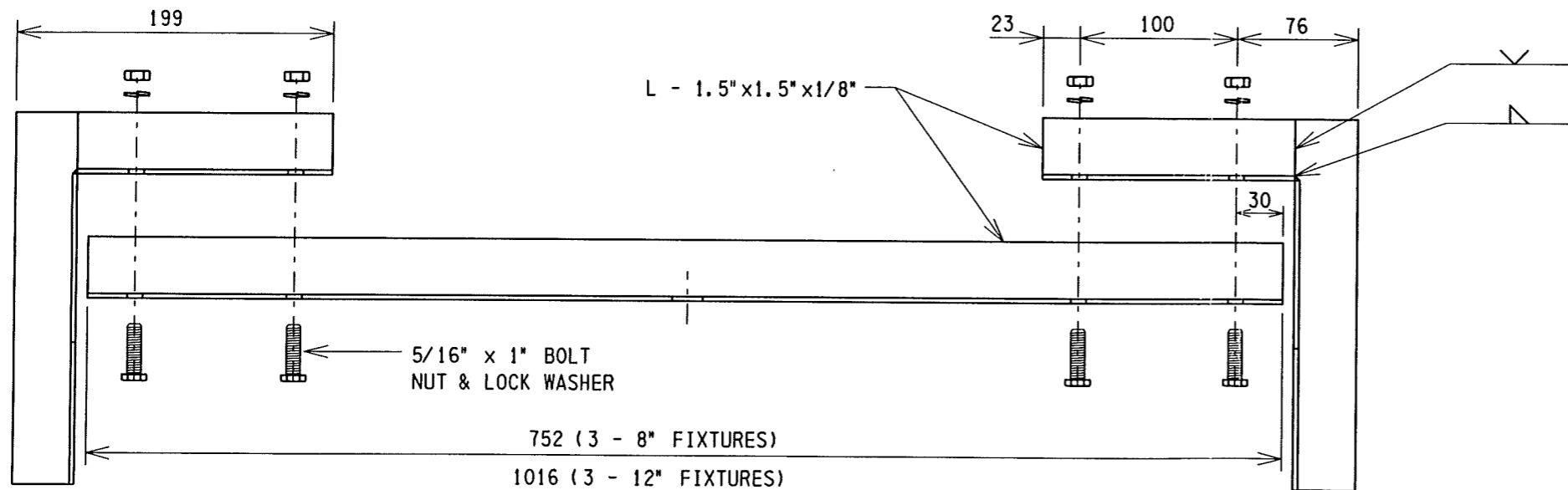
REAR VIEW  
GUY WIRE ATTACHMENT

1 : 10

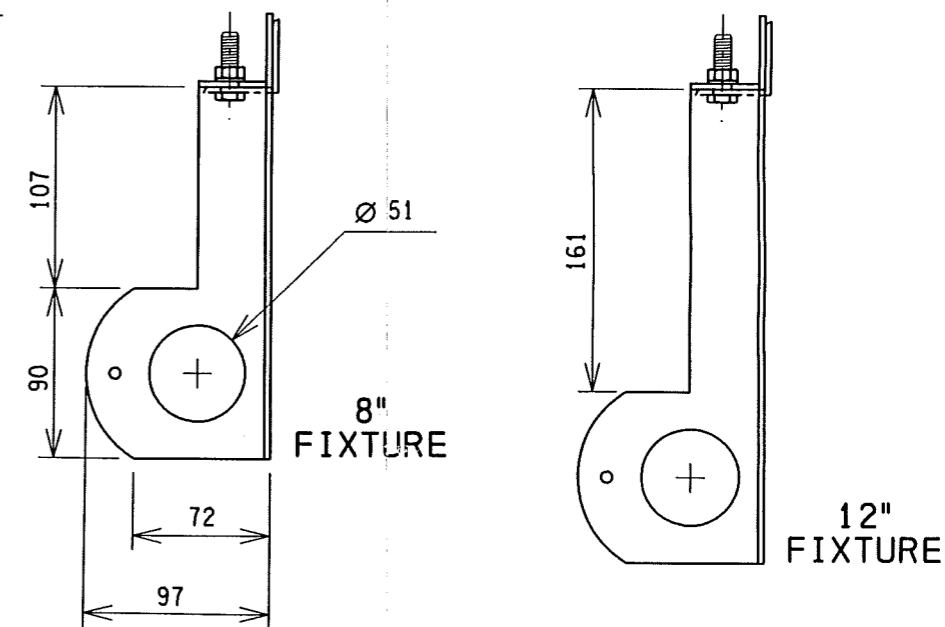


REAR VIEW  
CANTILEVER ATTACHMENT

1 : 10



FRONT VIEW



SIDE VIEW (ASSEMBLED)

HEIGHT OF BRACKET VARIES  
BETWEEN 8" AND 12" FIXTURES

HARDWARE REQUIREMENTS

ITEM	DESCRIPTION	QUANTITY
A	HANGER BRACKET (SIZE VARIES WITH NUMBER OF FIXTURES)	1
B	OHBS HANGER BOLT	1
C	1 1/2" CLOSE NIPPLE	2
D	1 1/2" MAL CAP	2
E	3/4" WEATHERHEAD	1
F	1 1/2" LOCK NUT c/w FIBRE WASHER	2
G	BACK BOARD (SIZE VARIES WITH NUMBER OF FIXTURES)	1
H	GUY WIRE HANGER (O/H) OR "T" HANGER (CANTILEVER)	1
I	3/4" x .030 THK 201 STAINLESS STEEL BAND-IT (DOUBLE WRAP)	2
J	3/4" CLOSE NIPPLE c/w 3/4" LOCK NUT	1

ALL DIMENSIONS IN MILLIMETERS UNLESS OTHERWISE SPECIFIED

BRACKET FOR  
3 LIGHT OVERHEAD FIXTURES



Scale: 1 : 4	Date Approved:	Approved:	Revision No.	Drawing No.
-----------------	----------------	-----------	--------------	-------------