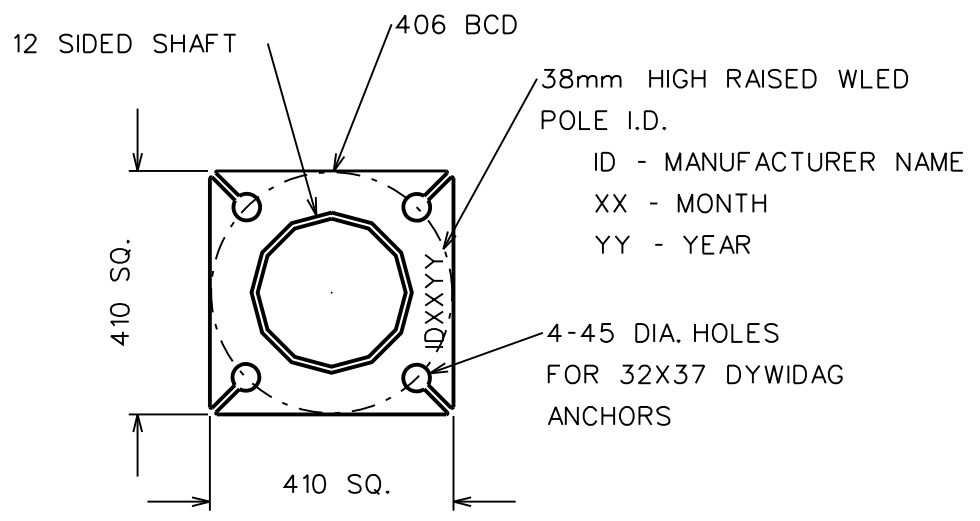


121 BCD
 4-19mm DIA. HOLES W/4 HEX NUTS WELDED UNDERNEATH THE PLATE FOR 3/4" DIA. BOLTS



38mm HIGH RAISED WLED POLE I.D.
 ID - MANUFACTURER NAME
 XX - MONTH
 YY - YEAR

NOTES:
 POLE DESIGN IN ACCORDANCE WITH CSA S6-00 PER MAX. LOADS IN CITY OF EDMONTON SPECIFICATION 042003 CI.3.1

MAX. DEFLECTION AT 65kph = 20mm

WELDING - CSA W59-1989 GAS METAL ARC WELDING

FINISH - GALVANIZED TO CSA G-164 - MIN 600g/SQ.M

MATERIAL - CSA G40.21M 300W
 - Si CONTENT <0.04% OR BETWEEN 0.15%-0.25%
 - ASTM A325 - FASTENERS
 - DYWIDAG ANCHOR RODS CSA G279 M82 (SUPPLIED OTHERS) 32mm X 37mm

DYWIDAG ANCHOR BOLT, 32mm X 37mm, CSA G279 - M82

	TRANSPORTATION SERVICES TRAFFIC OPERATIONS BRANCH
	TRAFFIC SIGNALS
STANDARD CCTV POLE	
STRUCTURE 13.72m(45') POLE 406mm(16") BCD	
NOT TO SCALE	CCTV POLE - 13.72m (45')