



Load Charts*

* It is the responsibility of the building designer to determine appropriate head size for the beam support.

LIGHT / MEDIUM DUTY MINI SERIES

Series	Maximum Height		Allowable Working Loads		Limit States Design Values (Factored)		Column/ Base Plate	Head Dimensions (Adjustment Range 4.5")	Lateral Loading AWL/LSD	Label Colour Code	
	Feet	Meters	Lbs	kN	Lbs	kN	Dimensions	Lag Bolts Included			
WMA	5'-0"	1.52	16,000	71.1	23,200	103.2	2" x 2" Base 6" x 6"	Top 3.5" x 5.25" LVL	800/1200	Green	
	7'-6"	2.29	9,300	41.4	13,500	60.1					
	8'-0"	2.44	8,500	37.8	12,235	54.8					
WMNA	8'-0"	2.44	10,500	46.6	15,200	67.6	2.5" x 2.5" Base 6" x 6"			800/1200	Magenta
	8'-6"	2.59	10,000	44.5	14,500	64.5					
	9'-0"	2.74	9,600	42.7	13,920	61.8					
WMB	7'-6"	2.29	14,000	62.5	20,400	90.7	2.5" x 2.5" Base 6" x 6"	800/1200	Yellow		
	8'-0"	2.44	13,000	57.7	18,800	83.6					
	8'-6"	2.59	12,000	53.0	17,300	76.9					
WMC	7'-6"	2.29	16,000	71.1	23,200	103.2	2.5" x 2.5" Base 6" x 6"		800/1200	Black	
	8'-0"	2.44	15,500	68.9	22,475	100.0					
	8'-6"	2.59	14,000	62.3	20,300	90.3					
WMD	7'-6"	2.29	25,500	113.4	37,000	164.6	3" x 3" Base 6" x 6"	1275/1900		Lime Green	
	8'-0"	2.44	24,000	106.8	34,800	154.8					
	8'-6"	2.59	22,000	97.9	32,000	142.4					
	9'-0"	2.74	20,500	91.2	29,800	132.6					
	9'-6"	2.90	19,500	86.7	28,300	125.9					
	10'-0"	3.05	18,000	80.1	26,100	116.1					

MEDIUM DUTY SADDLE SERIES

Series	Maximum Height		Allowable Working Loads		Limit States Design Values (Factored)		Column/ Base Plate	Saddle Head Dimensions (Adjustment Range 5.5")	Lateral Loading AWL/LSD	Label Colour Code
	Feet	Meters	Lbs	kN	Lbs	kN	Dimensions	In Matched Sets		
WS1	7'-5.5"	2.27	18,500	82.3	26,825	119.3	2.5" x 2.5" Base 6" x 6"	2 ply LVL 6" x 3.625" x 7.5" 3 ply LVL 8" x 5.375" x 6.1875" 4 ply DIM 6" x 6.25" x 6.125" Flat Top 4" x 6"	925/1385	Light Blue
	8'-5.5"	2.58	16,000	71.2	23,200	103.2				
	9'-5.5"	2.88	13,500	60.1	19,575	87.1				
	10'-5.5"	3.19	11,500	51.2	16,675	74.2				
WS2	8'-5.5"	2.58	24,000	106.8	34,800	154.8	3" x 3" Base 6" x 6"	2 ply LVL 8" x 3.625" x 7.5" 3 ply LVL 8" x 5.375" x 6.625" 4 ply DIM 8" x 6.25" x 6.125" 4 ply LVL 8" x 7.375" x 5.625" Flat Top 6" x 8"	1200/1800	Orange
	9'-5.5"	2.88	20,500	91.2	29,725	132.2				
	10'-5.5"	3.19	18,000	80.1	26,100	116.1				
	12'-5.5"	3.79	13,750	61.2	19,950	88.8				
WS2.5	8'-5.5"	2.58	34,000	151.3	49,300	219.3	3" x 3" Base 8" x 8" 4 x 0.625" Ø for anchor bolts 1" in from each edge of plate to center of hole	2 ply LVL 8" x 3.625" x 7.5" 3 ply LVL 8" x 5.375" x 6.625" 4 ply DIM 8" x 6.25" x 6.125" 4 ply LVL 8" x 7.375" x 5.625" Flat Top 6" x 8"	1700/2550	Blue Grey
	9'-5.5"	2.88	29,000	129.0	42,000	186.8				
	10'-5.5"	3.19	25,000	111.2	36,250	161.3				
	12'-5.5"	3.79	19,000	84.5	27,550	122.6				
	14'-5.5"	4.40	14,750	65.6	21,390	95.0				

HEAVY / SUPER DUTY SADDLE SERIES

Series	Maximum Height		Allowable Working Loads		Limit States Design Values (Factored)		Column/ Base Plate	Saddle Head Dimensions (Adjustment Range 5.5")	Lateral Loading AWL/LSD	Label Colour Code
	Feet	Meters	Lbs	kN	Lbs	kN	Dimensions	In Matched Sets		
WS3	8'-5.5"	2.58	41,000	182.4	59,450	264.5	3" x 3" Base 8" x 8" 4 x 0.625" Ø for anchor bolts 1" in from each edge of plate to center of hole	2 ply LVL 13" x 3.625" x 6" 3 ply LVL 13" x 5.375" x 6" 4 ply DIM 13" x 6.375" x 6" 4 ply LVL 13" x 7.375" x 6" Flat Top 6" x 8"	2050/3075	Dark Blue
	9'-5.5"	2.88	35,500	157.9	51,475	229.0				
	10'-5.5"	3.19	30,500	135.7	44,225	196.7				
	12'-5.5"	3.79	23,000	102.3	33,350	148.4				
	14'-5.5"	4.4	18,000	80.1	26,100	116.1				
	16'-5.5"	5.02	14,000	62.3	20,300	90.3				
WS4	8'-5.5"	2.58	61,000	271.4	88,450	393.5	4" x 4" Base 8" x 8" 4 x 0.625" Ø for anchor bolts 1" in from each edge of plate to center of hole	2 ply LVL 13" x 3.625" x 6" 3 ply LVL 13" x 5.375" x 6" 4 ply DIM 13" x 6.375" x 6" 4 ply LVL 13" x 7.375" x 6" Flat Top 8" x 10"	3050/4575	Red
	9'-5.5"	2.88	55,500	246.9	80,500	358.1				
	10'-5.5"	3.19	50,000	222.4	72,500	322.5				
	12'-5.5"	3.79	40,500	180.2	58,750	261.3				
	14'-5.5"	4.4	33,000	146.8	47,850	212.9				
	16'-5.5"	5.02	27,000	120.1	39,150	174.2				
	20'-5.5"	6.24	18,500	82.3	26,825	119.3				
24'-5.5"	7.45	13,500	60.1	19,575	87.1					
WS5	8'-5.5"	2.58	90,000	400.4	130,500	580.5	5" x 5" Base 10" x 10" 4 x 0.625" Ø for anchor bolts 1" in from each edge of plate to center of hole	2 ply LVL 13" x 3.625" x 6" 3 ply LVL 13" x 5.375" x 6" 4 ply DIM 13" x 6.375" x 6" 4 ply LVL 13" x 7.375" x 6" 5 ply LVL 13" x 9" x 6" Flat Top as required	4500/6750	Brown
	12'-5.5"	3.79	67,500	300.3	97,875	435.4				
	16'-5.5"	5.02	48,500	215.7	70,325	312.8				
	20'-5.5"	6.24	35,000	155.7	50,750	225.8				
	24'-5.5"	7.45	26,000	115.7	37,700	167.7				
WS6	8'-5.5"	2.58	150,000	667.3	217,500	967.5	6" x 6" Base 10" x 10" 4 x 0.625" Ø for anchor bolts 1" in from each edge of plate to center of hole	2 ply LVL 20" x 3.625" x 10" 3 ply LVL 20" x 5.375" x 10" 4 ply DIM 20" x 6.375" x 10" 4 ply LVL 20" x 7.375" x 10" 5 ply LVL 20" x 9" x 10" Flat Top as required	7500/11250	Purple
	12'-5.5"	3.79	124,500	553.8	180,525	803.0				
	16'-5.5"	5.02	95,000	422.6	137,750	612.8				
	20'-5.5"	6.24	72,000	320.3	104,400	464.4				
	24'-5.5"	7.45	55,000	244.7	79,750	354.8				

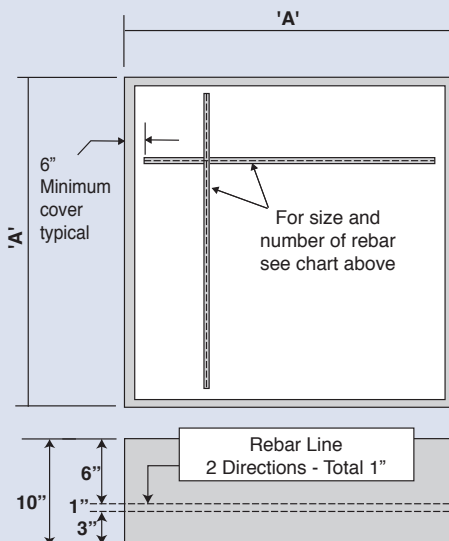


Footings Chart**

FOOTING PAD REQUIREMENT(S) & SPECIFICATION(S):

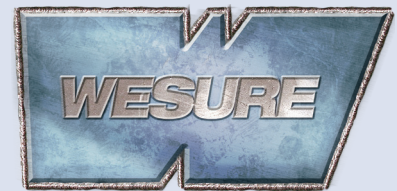
Allowable Soil Bearing Capacity:		2000 lbs.ft2 (2800 lbs/ft2 factored)				2500 lbs/ft2 (3500 lbs/ft2 factored)				3000 lbs/ft2 (4200 lbs/ft2 factored)			
Footings Dimensions (L x W x D)	Number & Size of Rebar	Maximum Footing Capacity											
		Allowable Working Loads (Unfactored)		Limit State Design (Factored)		Allowable Working Loads (Unfactored)		Limit State Design (Factored)		Allowable Working Loads (Unfactored)		Limit State Design (Factored)	
		lbs	kN	lbs	kN	lbs	kN	lbs	kN	lbs	kN	lbs	kN
24" x 24" x 10"	4-10M E/W	7,500	33.36	10,700	47.60	9,500	42.26	13,500	60.05	11,500	51.15	16,300	72.51
30" x 30" x 10"	4-10M E/W	11,719	52.13	16,719	74.37	14,844	66.03	21,094	93.83	17,969	79.93	25,469	113.29
36" x 36" x 10"	5-10M E/W	16,875	75.06	24,075	107.09	21,375	95.08	30,375	135.11	25,875	115.10	36,675	163.14
42" x 42" x 10"	6-10M E/W	22,969	102.17	32,769	145.76	29,094	129.42	41,344	183.91	35,219	156.66	49,919	222.05
48" x 48" x 10"	7-10M E/W	30,000	133.45	42,800	190.38	38,000	169.03	54,000	240.20	46,000	204.62	65,200	290.02
54" x 54" x 11"	8-10M E/W	37,716	167.77	53,916	239.83	47,841	212.81	68,091	302.88	57,966	257.85	82,266	365.94
60" x 60" x 12"	10-10M E/W	46,250	205.73	66,250	294.69	58,750	261.33	83,750	372.54	71,250	316.94	101,250	450.38
66" x 66" x 12"	6-15M E/W	55,963	248.94	80,163	356.58	71,088	316.22	101,338	450.77	86,213	383.49	122,513	544.96
72" x 72" x 14"	7-15M E/W	65,700	292.25	94,500	420.36	83,700	372.32	119,700	532.45	101,700	452.38	144,900	644.55
78" x 78" x 14"	8-15M E/W	77,106	342.98	110,906	493.33	98,231	436.95	140,481	624.89	119,356	530.92	170,056	756.45
84" x 84" x 16"	9-15M E/W	88,200	392.33	127,400	566.70	112,700	501.31	161,700	719.28	137,200	610.30	196,000	871.85
90" x 90" x 16"	10-15M E/W	101,250	450.38	146,250	650.55	129,375	575.49	185,625	825.70	157,500	700.59	225,000	1000.85
96" x 96" x 18"	12-15M E/W	113,600	505.32	164,800	733.07	145,600	647.66	209,600	932.35	177,600	790.00	254,400	1131.63
102" x 102" x 18"	12-15M E/W	128,244	570.46	186,044	827.56	164,369	731.15	236,619	1052.53	200,494	891.84	287,194	1277.50
108" x 108" x 20"	14-15M E/W	141,750	630.54	206,550	918.78	182,250	810.69	263,250	1170.99	222,750	990.84	319,950	1423.21
114" x 114" x 20"	15-15M E/W	157,938	702.54	230,138	1023.70	203,063	903.27	293,313	1304.72	248,188	1104.00	356,488	1585.74

** The WESURE Support Systems suggested Footing design is designed for use with WESURE columns only. It is not compatible with other products.



Notes:

- Concrete to be a minimum of 3000p.s.i. (20Mpa), normal portland cement type 10 or type 50 as required, maximum 3/4" (20mm) aggregate, 3" (75MM) slump.
- All rebar to be tied at intersections. Follow position diagram.
- Footing meets or exceeds National and Alberta Building Code Section 9.
- Load to be applied in the middle of the pad. Eccentric loading will significantly reduce the capacity of the footing.
- Wesure Support Systems is not responsible for compliance or application of charts (charts supplied as information only).
- The minimum 254mm footing thickness is Government (code) mandated.
- The soil bearing load capacities have been adjusted to show the load on the columns alone. The total soil bearing capacity has been reduced by the self weight of the footing itself.
- Determine the footing size according to Load. You must verify soil bearing capacity with engineer testing.



Structural Support Systems

1-800-223-8806
www.wesure.com

WESURE™ is a registered trademark of Western Sulfur Remelters Ltd.

This information is accurate as of the date of publication. Please refer to www.wesure.com for the most current specifications.

Printed October 2010