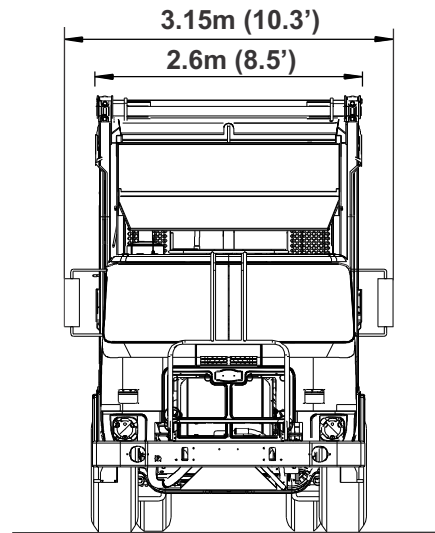
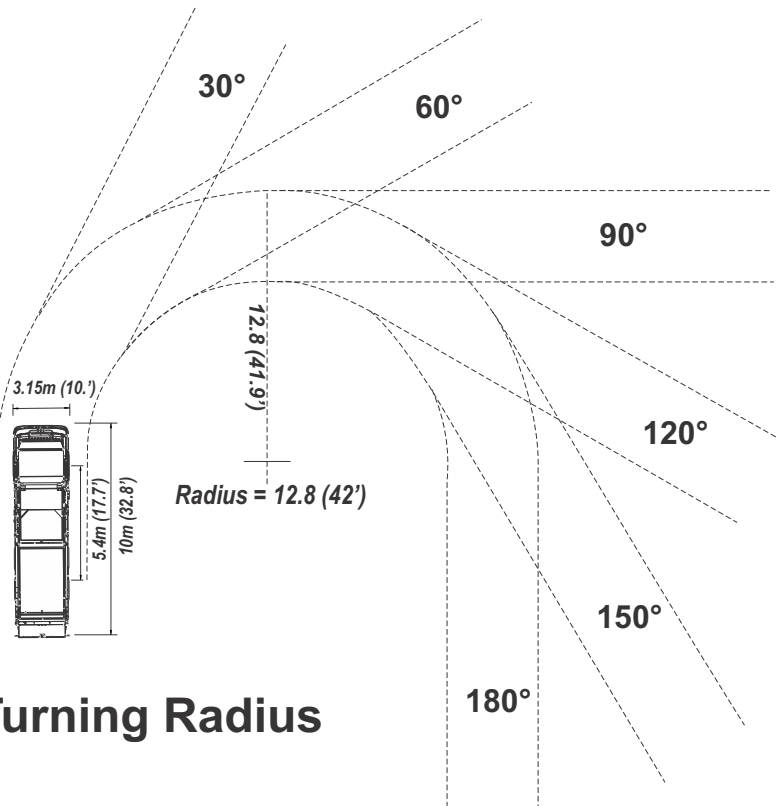
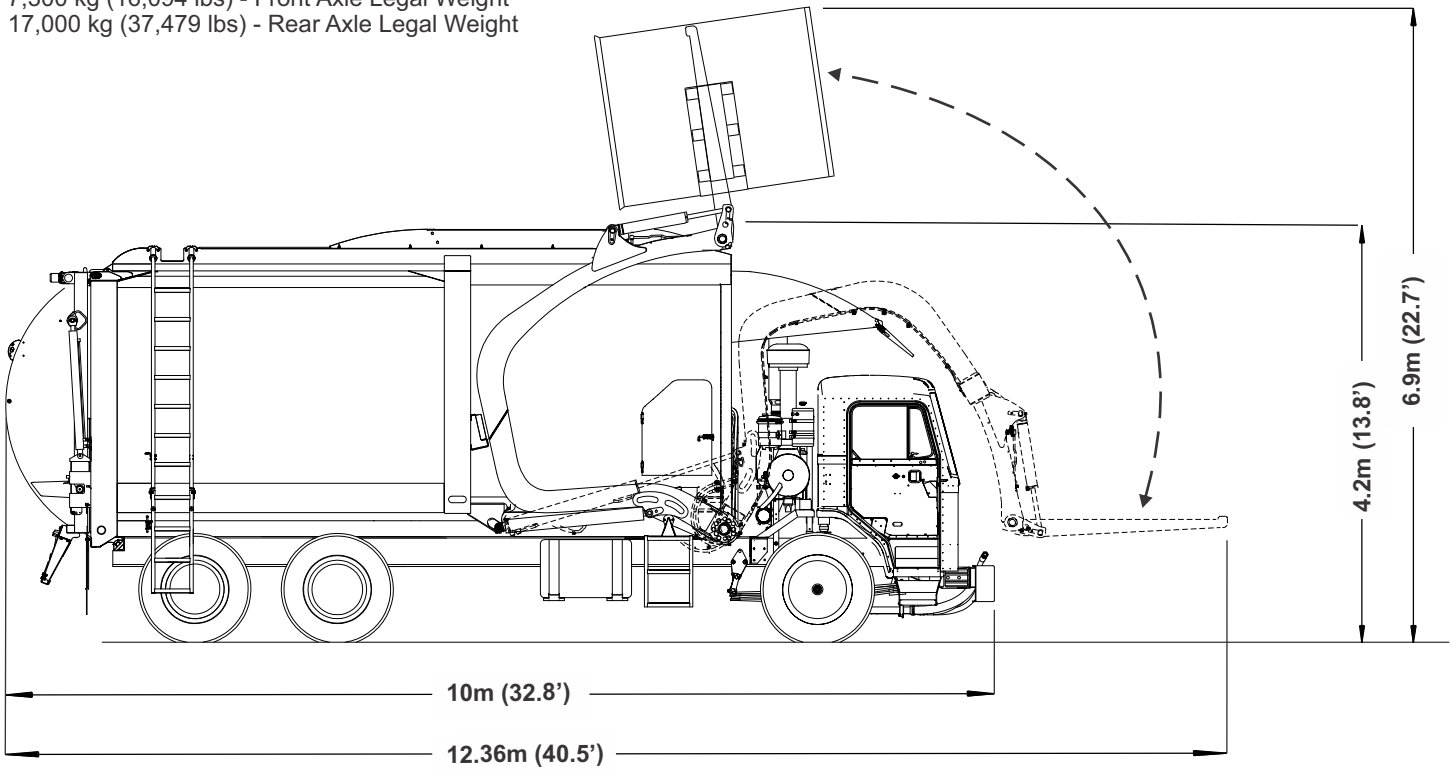


Front Loading Waste Collection Vehicle Dimensions

7,300 kg (16,094 lbs) - Front Axle Legal Weight
 17,000 kg (37,479 lbs) - Rear Axle Legal Weight

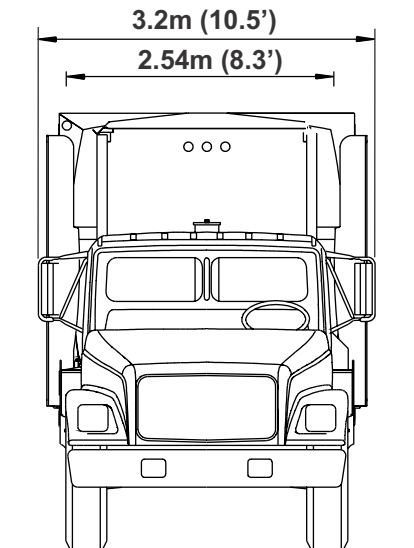
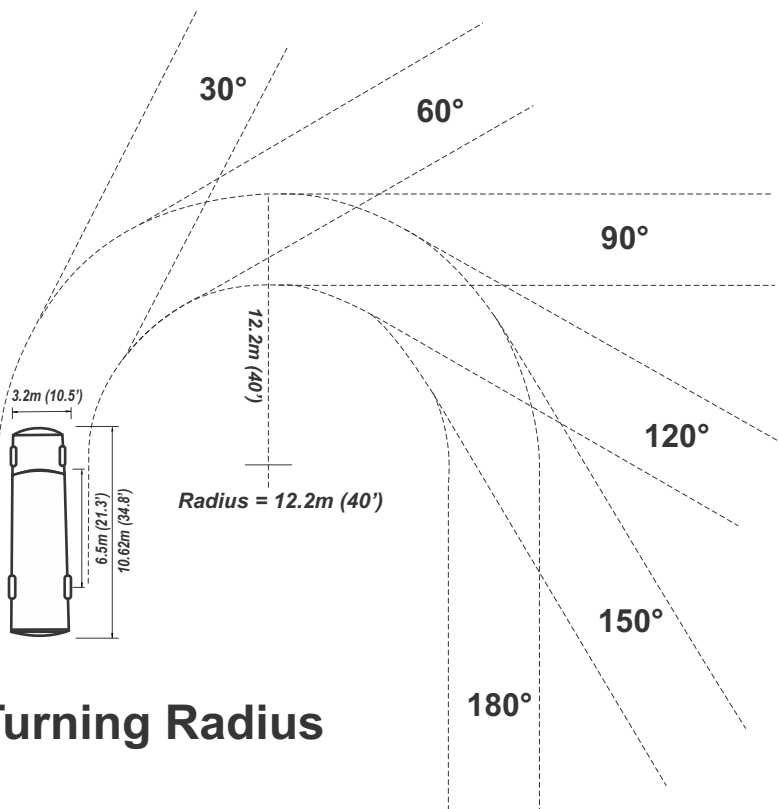
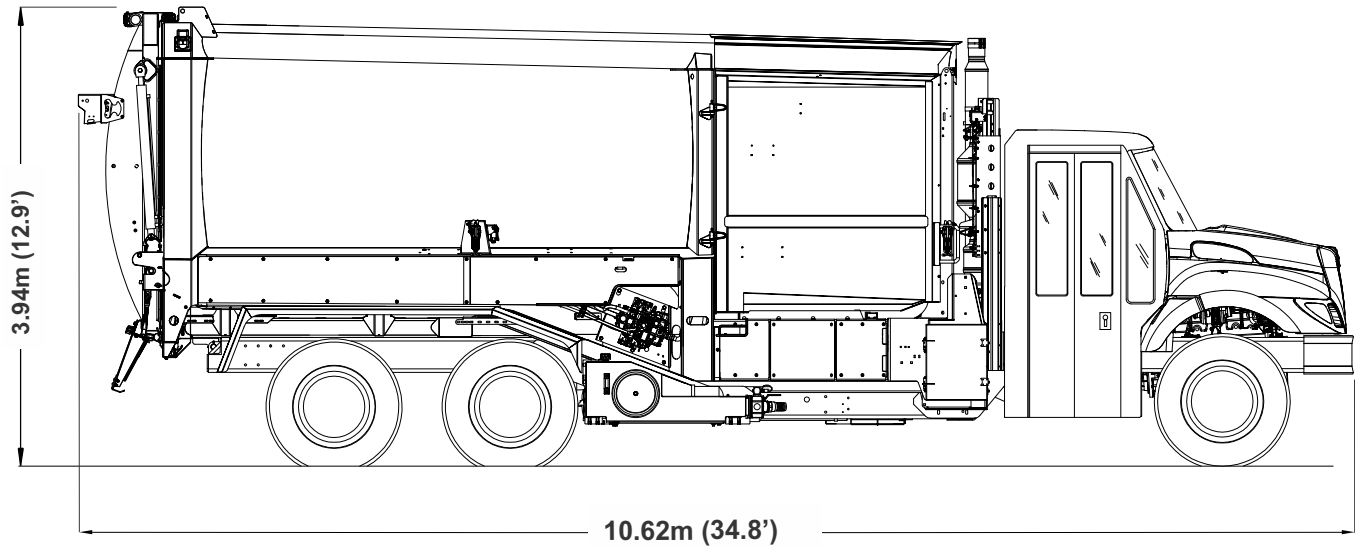


Turning Radius

Note - drawings are not to scale

In case of any conflict between information expressed in Metric and Imperial units, Metric shall govern.

Manual Side-loading Waste Collection Vehicle Dimensions



Turning Radius

Note - drawings are not to scale

In case of any conflict between information expressed in Metric and Imperial units, Metric shall govern.