



PROVIDING MORE

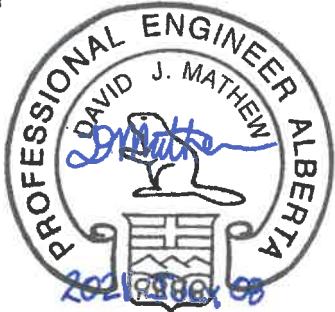
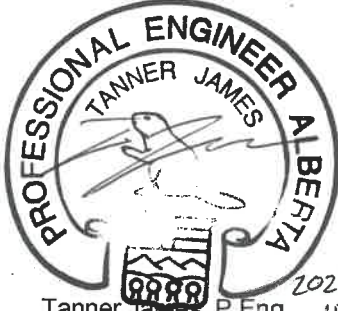



# **Design and Construction Standards**

## **Volume 4 Water**

April 2021

## TERMS OF USE

The "City of Edmonton Design and Construction Standards Volume 4: Water", henceforth known as "Volume 4", is made available for use in the City of Edmonton effective as of April 28<sup>th</sup>, 2021. Volume 4 is presented as accurate and complete as of the effective date. Use of Volume 4 shall not absolve any user from the obligation to exercise their professional judgement and follow good practice. Should any user have question as to the intent or accuracy of any specification or drawing herein, or concern that conflict may exist between the manufacturers' or suppliers' recommended installation procedures and Volume 4, the user is advised to seek clarification from the identified individual as provided below.

<b>As To Section:</b>	
<p>All other sections not listed below</p> <div style="text-align: center;">  <p>2021/08/08 ID# 73926 David Mathew, P.Eng. Manager, Development Engineering and Planning</p> </div>	<p style="text-align: center;">1.6.5 - 1.6.8 7 CATHODIC PROTECTION</p> <div style="text-align: center;">  <p>2021/JUL/08 Tanner James, P.Eng. ID# 95044 Manager, Distribution Support</p> </div>
<p><b>EWSI PERMIT TO PRACTICE</b></p> <div style="border: 2px solid black; padding: 10px; margin: 10px auto; width: 80%;"> <p style="text-align: center;"><b>PERMIT TO PRACTICE EPCOR WATER SERVICES INC.</b></p> <p>RM SIGNATURE: </p> <p>RM APEGA ID #: 70040</p> <p>DATE: July 12, 2021</p> <p style="text-align: center;"><b>PERMIT NUMBER: P006368</b> The Association of Professional Engineers and Geoscientists of Alberta (APEGA)</p> </div> <p style="text-align: center; margin-top: 10px;">David Hoeksema, P.Eng. Senior Manager, Distribution Infrastructure</p>	
<p>TABLE 1.3: GUIDELINES FOR HYDRAULIC NETWORK ANALYSIS, FIRE FLOWS 1.7.1.5, 1.7.1.8</p> <div style="text-align: center;">  <p>2021/JUL/07 Kael Griswold, P.Eng. ID# 212151 Fire Protection Engineer, Fire Rescue Services</p> </div>	<p style="text-align: center;"><b>FRS PERMIT TO PRACTICE</b></p> <div style="border: 2px solid black; padding: 10px; margin: 10px auto; width: 80%;"> <p style="text-align: center;"><b>PERMIT TO PRACTICE CITY OF EDMONTON</b></p> <p>RM SIGNATURE:  Cameron Bardas</p> <p>RM APEGA ID #: 68272</p> <p>DATE: 07/JUL/2021</p> <p style="text-align: center;"><b>PERMIT NUMBER: P005038</b> The Association of Professional Engineers and Geoscientists of Alberta (APEGA)</p> </div> <p style="text-align: center; margin-top: 10px;">Cameron Bardas, P.Eng. Senior Fire Protection Engineer, Fire Rescue Services</p>

The following sections are not authenticated, it is the responsibility of the user to ensure the sections are used appropriately:

- 1.6.12 JOINT RESTRAINTS
  - 10 CONSTRUCTION STANDARDS – PVC TAPPING GUIDELINES
  - 11 CONSTRUCTION STANDARDS – PRODUCT APPROVAL PROCEDURES
  - 12 CONSTRUCTION STANDARDS – WATER METERS

# Table of Contents

<b>Section 1</b>	<b>Design Standards</b>	<b>9</b>
1.1	Definitions	10
1.2	Acts, Bylaws And Standards	10
1.3	Notice	11
1.4	Records Management	11
1.5	Reference Standards	14
1.6	Water Mains	17
1.7	Fire Hydrants	21
1.8	Valves	21
1.9	Water Services	22
1.10	Manual Air Vents (MAV)	22
1.11	Blow Offs	23
1.12	Hydraulic Network Analysis (HNA)	23
1.13	Materials	26
1.14	Utility Right Of Ways, Restrictive Covenants And Caveats	26
1.15	LID Construction Around Water Infrastructure	27
<b>Section 2</b>	<b>Water Mains</b>	<b>30</b>
2.1	General	31
2.2	Materials	33
2.3	Execution	39
<b>Section 3</b>	<b>Water Valves</b>	<b>50</b>
3.1	General	51
3.2	Products	52
3.3	Execution	56
<b>Section 4</b>	<b>Hydrants</b>	<b>59</b>
4.1	General	60
4.2	Products	60
4.3	Execution	61
4.4	Protection During Adjacent Construction	62
<b>Section 5</b>	<b>Water Services</b>	<b>63</b>
5.1	General	64
5.2	Products	65
5.3	Execution	66
<b>Section 6</b>	<b>Pipe Bedding</b>	<b>70</b>
6.1	General	71
6.2	Products	71
6.3	Execution	71
<b>Section 7</b>	<b>Cathodic Protection</b>	<b>73</b>
7.1	General	74
7.2	Products	74
7.3	Execution	75
<b>Section 8</b>	<b>Acceptance Testing</b>	<b>78</b>
8.1	Introduction And Background	79
8.2	Water Main Flushing	79
8.3	Hydrostatic Testing	81
8.4	Procedure for Hydrostatic Testing	82
8.5	Disinfection	86
8.6	Sampling Requirements	88
8.7	Dechlorination	89
8.8	Acceptance Testing Related Literature	92
<b>Section 9</b>	<b>Boundary Valve Operation</b>	<b>93</b>
9.1	Purpose	94
9.2	Operating Rules	94
<b>Section 10</b>	<b>PVC Tapping Guidelines</b>	<b>95</b>
10.1	General	96
10.2	Resources	96
10.3	Considerations	96
10.4	Acceptance Guidelines for Tapping Valves and Sleeves (TVS)	100
<b>Section 11</b>	<b>Product Approval Procedures</b>	<b>101</b>
11.1	General	102
11.2	Product Approval Procedures	102
11.3	Approved Product List	103
<b>Section 12</b>	<b>Water Meters</b>	<b>116</b>

12.1	General .....	117
12.2	Materials .....	117
12.3	Execution .....	118
<b>Section 13</b>	<b>Concrete Requirements .....</b>	<b>119</b>
13.1	Scope .....	120
13.2	Related Sections .....	120
13.3	Quality Control .....	120
13.4	Products .....	120
13.5	Execution .....	121
<b>Section 14</b>	<b>Detail Drawing Index .....</b>	<b>125</b>
WA-002-001	.....	128
WA-002-002	.....	129
WA-002-003	.....	130
WA-002-004	.....	131
WA-002-005	.....	132
WA-002-006	.....	133
WA-002-007	.....	134
WA-002-008a	.....	135
WA-002-008b	.....	136
WA-002-009	.....	137
WA-002-010	.....	138
WA-002-011	.....	139
WA-002-012	.....	140
WA-002-013	.....	141
WA-002-014	.....	142
WA-003-001	.....	143
WA-003-002	.....	144
WA-003-003	.....	145
WA-003-004	.....	146
WA-003-005	.....	147
WA-003-006	.....	148
WA-003-007	.....	149
WA-003-008	.....	150
WA-003-009	.....	151
WA-003-010	.....	152
WA-003-011	.....	153
WA-003-012	.....	154
WA-003-013	.....	155
WA-003-014	.....	156
WA-003-015	.....	157
WA-003-016	.....	158
WA-003-017	.....	159
WA-003-018	.....	160
WA-003-019	.....	161
WA-003-020	.....	162
WA-004-001	.....	163
WA-004-002	.....	164
WA-004-003	.....	165
WA-004-004	.....	166
WA-004-005	.....	167
WA-005-001	.....	168
WA-005-002	.....	169
WA-005-003	.....	170
WA-005-004	.....	171
WA-005-005	.....	172
WA-005-006	.....	173
WA-005-007	.....	174
WA-005-008	.....	175
WA-005-009	.....	176
WA-005-010	.....	177
WA-005-011a	.....	178
WA-005-011b	.....	179
WA-005-012	.....	180
WA-005-013	.....	181
WA-006-001	.....	182
WA-007-001	.....	183
WA-007-002	.....	184

WA-007-003.....	185
WA-007-004.....	186
WA-007-005.....	187
WA-007-006.....	188
WA-007-007.....	189
WA-007-008.....	190
WA-007-009.....	191
WA-012-001.....	192
WA-012-002.....	193
WA-012-003.....	194
WA-012-004.....	195
WA-012-005.....	196
WA-012-006.....	197
WA-012-007.....	198
WA-012-008.....	199
WA-012-009.....	200

## List of Tables

Table 1.1: Submissions required after water main construction .....	12
Table 1.2: Minimum water main depths .....	18
Table 1.3: Guidelines for Hydraulic Network Analysis.....	26
Table 2.1: Minimum contact length for mandrel testing.....	45
Table 2.2: Required water quality parameters for new water mains.....	47
Table 2.3: Operation and Maintenance Manual Requirements.....	48
Table 3.1: Acceptable depth of valve casing at finished grade .....	57
Table 4.1: Hydrant Connection Thread Requirements.....	60
Table 4.2: Hydrant paint colours.....	61
Table 5.1: Material specifications for service rods .....	66
Table 5.2: Minimum water service sizes .....	67
Table 6.1: Gradation limits for fine granular .....	71
Table 6.2: Gradation limits for coarse granular .....	71
Table 6.3: Gradation limits for washed gravel.....	71
Table 7.1: Requirements for anode lead wires in PVC conduit.....	76
Table 8.1: Number of ports required to achieve velocity for flushing .....	80
Table 8.2: Chlorine required to produce 25 mg/L concentration in 100 m of water main .....	87
Table 8.3: Chlorine Discharge Limits.....	90
Table 8.4: Summary of Dechlorination Chemicals .....	91
Table 10.1: Pipe tapping categories.....	97
Table 10.2: Pipe tapping equipment and procedures for Category 1.....	98
Table 10.3: Pipe tapping equipment and procedures for Categories 2 and 4.....	99
Table 10.4: Categories 3 and 5 pipe tapping equipment and procedures .....	100
Table 11.1: Main Stops - Select connections to suit Service Tubing material .....	103
Table 11.2: Service Saddles (Includes Tapped Repair Clamps) .....	104
Table 11.3: Water Service Unions - Select connections to suit Service Tubing material .....	104
Table 11.4: Polyvinyl Chloride (PVC) Service Pipe.....	104
Table 11.5: Service Tubing.....	105
Table 11.6: Curb Stops - Select connections to suit Service Tubing material .....	105
Table 11.7: Service Boxes Including Chairs and Rods .....	105
Table 11.8: CC Support Block.....	105
Table 11.9: Polyvinyl Chloride (PVC) Water Pipe .....	106
Table 11.10: Polyethylene (PE) Water Pipe* .....	106
Table 11.11: Concrete Steel Cylinder Water Pipe* .....	106
Table 11.12: Ductile Iron Water Pipe* .....	106
Table 11.13: Lubricants .....	106
Table 11.14: Water Main Tracing .....	107
Table 11.15: Couplings (PVC).....	107
Table 11.16: Bolted Sleeve Couplings and Adaptors.....	108
Table 11.17: Water Main Fittings.....	109
Table 11.18: Tapping Sleeves.....	110
Table 11.19: Expansion Joints .....	110
Table 11.20: Butterfly Valves .....	110
Table 11.21: Gate Valves .....	110
Table 11.22: Check Valves.....	111
Table 11.23: Automatic Air Valves .....	111
Table 11.24: Manual Air Valves.....	111
Table 11.25: Pressure Reducing Valves .....	111
Table 11.26: Flow Control Valves.....	111
Table 11.27: Valve Casings and Middle Extensions .....	112
Table 11.28: Fire Hydrants .....	112
Table 11.29: Epoxy Coatings and Linings.....	112
Table 11.30: Plant Coatings .....	112
Table 11.31: Tape Coatings (Cold Applied) .....	113
Table 11.32: Heat-Shrinkable Sleeves (Exterior Protection – Joints/Flanges/Fittings).....	113

Table 11.33: Cathodic Protection Weld Protection Materials.....	113
Table 11.34: Cathodic Protection Splice Protection Materials .....	114
Table 11.35: Manhole Frames and Covers .....	114
Table 11.36: Alarms (Hatch).....	114
Table 11.37: Insulation .....	114
Table 11.38: Pipe Casing Spacers .....	115

## **List of Figures**

Figure 1.1: Areas in Edmonton where water mains are generally considered to have a greater risk of freezing due to soil conditions.....	18
Figure 8.1: Estimating discharge from a hydrant or blowoff.....	81
Figure 8.2: Apparatus for Hydrostatic Testing.....	82





PROVIDING MORE

# **Volume 4 Water**

## **Section 1 Design Standards**

April 2021

## 1.1 DEFINITIONS

- 1.1.1 EPCOR, EPCOR Water Services: The water utility company that services the City of Edmonton.
- 1.1.2 Engineer: The person for the time being designated by the Senior Vice President, EPCOR Water Services, to represent EPCOR during the course of the work.
- 1.1.3 Inspector: The person for the time being designated by the Senior Vice President EPCOR Water Services, to inspect the works on behalf of EPCOR.
- 1.1.4 Consultant: As defined in the City of Edmonton Design and Construction Standards Volume 1: General.
- 1.1.5 Developer: As defined in the City of Edmonton Design and Construction Standards Volume 1: General.

## 1.2 ACTS, BYLAWS AND STANDARDS

- 1.2.1 Where acts, bylaws and standards are referred to, they shall be current, amended and updated issues of such.
- 1.2.2 EPCOR will notify Alberta Environment and Parks of the proposed construction as required by the Alberta Environmental Protection and Enhancement Act.
- 1.2.3 It shall be a responsibility of the Consultant undertaking a development project to be aware of the statutory requirements governing such works and for compliance with those requirements. The listing provided below is for guidance. Other statutory instruments, not included here, may be applicable. All work performed on the water distribution system shall meet the minimum requirements as set out in:
  - 1.2.3.1 Fisheries Act of Canada, pertaining to the prevention of discharge of chlorinated water and response (s.34 to 43)
  - 1.2.3.2 The Standards and Guidelines for Municipal Water Supply, Wastewater and Storm Drainage Facilities - Alberta Environment and Sustainable Resources Development (Alberta Environment and Parks as of 2015)
  - 1.2.3.3 The Province of Alberta, Environmental Protection and Enhancement Act
  - 1.2.3.4 The City of Edmonton, Water Services and Wastewater Treatment EPCOR Bylaw 15816
  - 1.2.3.5 The City of Edmonton, Drainage Bylaw 16200
  - 1.2.3.6 National Plumbing Code of Canada
  - 1.2.3.7 Alberta Building Code, pertaining to access to fire hydrants (Part 3)
- 1.2.4 It shall be a responsibility of the Consultant undertaking a development project to be aware of all the requirements of these Design and Construction Standards in their entirety and for compliance with those requirements. Some aspects of water design and construction require compliance with the requirements of other Volumes and Sections of these Design and Construction Standards. The listing provided below is for guidance. Other requirements, not included here, may be applicable. All work performed on the water distribution system shall meet the minimum requirements as set out in:
  - 1.2.4.1 Volume 1: General
  - 1.2.4.2 Volume 1: Table of Offsets
  - 1.2.4.3 Volume 2: Roadways, Section 7.11 - Fillcrete
  - 1.2.4.4 Volume 2: Roadways, Section 3.1 - Trench Backfill
  - 1.2.4.5 Volume 2: Roadways, Section 3.2 - Utility Cut Restoration
  - 1.2.4.6 Volume 2: Roadways, Section 7.12 - Reinforcing Steel
  - 1.2.4.7 Volume 2: Roadways, Drawings 1020 to 1025 - Transverse Cut Restoration
  - 1.2.4.8 Volume 2: Roadways, Drawings 2120-2730 - Cross Sections
  - 1.2.4.9 Volume 2: Roadways, Drawing 7980 to 7981 - Backfill Details with Valve Raised to Grade
  - 1.2.4.10 Volume 3: Drainage, Section 02445 - Bored Undercrossings
  - 1.2.4.11 Volume 3: Drainage, Section 02446 - Horizontal Directional Drilling
  - 1.2.4.12 Volume 3: Drainage, Section 02559 - Factory Applied Pipe Insulation
  - 1.2.4.13 Volume 3: Drainage, Section 02631 - Manholes and Catch Basins
  - 1.2.4.14 Volume 3: Drainage, Section 03310 - Concrete for Water and Drainage Structures
  - 1.2.4.15 Volume 3: Drainage, Drawings 7013, 7014, 7034 - Standard 1200 Manhole
  - 1.2.4.16 Volume 3: Drainage, Drawing 7043A/B - Type 6 Standard Manhole
  - 1.2.4.17 Volume 3: Drainage, Drawing 7063 - Standard Riser Connections

### 1.3 NOTICE

- 1.3.1 48 hours written notice shall be given to the Engineer or Inspector before commencement of work, or changes in work schedules or working, to facilitate coordination with EPCOR or City inspection staff.
- 1.3.2 Valves 300 mm in diameter and smaller must be operated under the supervision of an EPCOR Water Inspector. The EPCOR Water Inspector must be contacted a minimum of 48 hours in advance.
- 1.3.3 Valves 350 mm in diameter and larger must be operated by EPCOR Water Operations Staff. The EPCOR Water Inspector must be contacted a minimum of 72 hours in advance to make arrangement for the operation of these valves. Additional notice may be required on a case by case basis at the discretion of EPCOR Water Services.

### 1.4 RECORDS MANAGEMENT

- 1.4.1 All drawings submitted for approval must be signed and sealed by a registered professional engineer indicating their proposals for sizes and routes of water distribution and transmission mains, locations of control valves and details of valve chambers, thrust blocks and other appurtenances. The drawings shall conform to the requirements of Volume 1 of these Standards and shall be subject to the approval of the Engineer.
  - 1.4.1.1 Registered professional technologists may sign and seal drawing submissions wherein water mains are less than or equal to 300 mm in diameter and the design falls within their approved scope of practice.
- 1.4.2 In addition to the requirements in Volume 1 – General, all engineering drawing submissions must include the following:
  - 1.4.2.1 A drawing that shows the approved water network from the hydraulic network analysis (HNA) submitted at Neighbourhood Structure Plan (NSP) indicating mains as existing, proposed and or future and indicating pipe sizes. Also include on this drawing a list of quantities for the stage being submitted in accordance with the submitted drawings. Quantities should include the length of main by size, number of hydrants, number of flush points and number of services by size.
  - 1.4.2.2 A copy of the geotechnical report with any deviation from minimum soil bearing capacities of 72 kPa and any water table readings that result in the natural water table being above the hydrant boot for any areas within the stage being submitted clearly identified within the report.
  - 1.4.2.3 A copy of the calculations utilized to determine the sizing of water main thrust blocks, if modified thrust blocks are required as part of the design.
  - 1.4.2.4 A copy of the calculations utilized to determine the restraint length for water main joints, if restrained joints are required as part of the design.
  - 1.4.2.5 A copy of the thermal expansion and contraction calculations for fully restrained, fused PVC, or directionally drilled water mains.
  - 1.4.2.6 Acceptance testing plans as described in Sections 1.4.7 – 1.4.9.
- 1.4.3 Where the proposals include crossings (e.g. railways, high-pressure pipelines. etc.) the individual(s) responsible for the proposal shall also be fully responsible for:
  - 1.4.3.1 The preparation and submission of drawings to the owners and proper authorities;
  - 1.4.3.2 Obtaining the necessary permission or permits to enter upon, cross over, or construct under any crossing;
  - 1.4.3.3 Any work, extra costs, damage claims, or insurance costs related to any of the crossings; and
  - 1.4.3.4 The submission of documentary evidence that such permits have been obtained prior to the approval of the drawings.
- 1.4.4 Should the Engineer not approve any part of the drawings or proposals, they will be returned for revision to the satisfaction of the Engineer and the period from return to re-submission of such drawings or proposals shall be deemed to be additional to that specified for first submission.
- 1.4.5 A drawing package containing the following must be submitted and received by EPCOR Water Services a minimum of three business days prior to holding the pre-construction meeting:
  - 1.4.5.1 One (1) full-sized print in accordance with the approved detailed engineering drawing set;
  - 1.4.5.2 One (1) full-sized print of the overall Water, Storm, and Sanitary plan;
  - 1.4.5.3 A digital submission of the detailed engineering drawing set in a portable document format (.pdf) file must be submitted by e-mail to wtraprvd@epcor.com or on compact disk. The digital submission is to be named "WP-XXXXX@-XXXX-APV.pdf", where "@" is the phase letter. Each phase requires a separate submission;

- 1.4.5.4 A digital submission of the overall Water, Storm, and Sanitary plan complete with base map must be submitted by e-mail to wtraprvd@epcor.com or on compact disk. The digital submission must include be a MicroStation compatible design (.DGN) file of the infrastructure. The .DGN file must be recorded in NAD 83 3TM coordinates. Digital submissions must be in the format of “WP-XXXXX@-XXXX-OA.dgn”, where “@” is the phase letter. Each phase requires a separate submission;
- 1.4.5.5 A digital submission of the overall Water, Storm, and Sanitary plan complete with base map must be submitted by e-mail to wtraprvd@epcor.com or on compact disk. The digital submission must be a portable document format (.PDF) file. Digital submissions must be in the format of “WP-XXXXX@-XXXX-OA.pdf”, where “@” is the phase letter. Each phase requires a separate submission; and
- 1.4.5.6 EPCOR Water Project Numbers (e.g. WP-XXXXX@-XXXX, where “@” is the phase letter and each phase requires a separate submission) will be provided as part of the engineering drawing approval process.
- 1.4.6 The submissions described in the remainder of this section take place after the completion and approval of the design. The individual(s) responsible for the proposal must ensure that these submissions are completed. These requirements are listed here because the Consultant who prepared the design will normally provide these services.
  - 1.4.6.1 Within six months after the C.C.C. inspection, revised drawings containing any changes made to the approved design shall be submitted to EPCOR for review. The as-built data that differs from the design shall be clearly identified on either an electronic or paper copy of the original design. The drawings must identify the name of the Engineer that approved the design along with the date that the drawing was approved. Drafting, notes and dimensions shall comply with Section 1.5.3. Any revisions shall be shown on all affected drawings.
  - 1.4.6.2 Final as-built drawings shall be submitted on velum or mylar within 30 days of receipt of EPCOR’s response to the revision drawings submission. Design data shall be erased on the original and replaced with as-built data in ink. The date of construction completion is to be shown by a note on each plan profile drawing. All quantities, lengths and sizes of water mains, appurtenances and fittings shall be tabulated on the as-built drawings. All as-built sewer information shall also be shown. Final as-built drawings shall comply with Section 1.5.3. As-built water facility reports are available at www.epcor.com. Additional submission requirements, media and formats, such as digital, are detailed in a letter for each project.
    - 1.4.6.2.1 Service details for all services installed as part of the project must be updated with as-built coordinates and alignments prior to C.C.C. The details must show the main stop, curb stop, end of pipe, and any pipe deviations. The details must be submitted to wpdocs@epcor.com in MicroStation .dgn format with the service information provided in the NAD83 3TM coordinate system. The file must include all property lines for reference. This is in addition to the service reports submitted to IWASS. Please ensure the file is named “WP-XXXXX@- ServiceDtlAB.dgn”, where “@” is the phase letter. Each phase requires a separate submission. Service materials and sizes must be provided in a table on final as-built drawings.
  - 1.4.6.3 The following documentation shall be submitted by the deadlines as shown in Table 1.1 below.

Table 1.1: Submissions required after water main construction

ITEM	DEADLINE
Coupon test results	2 weeks prior to hydrostatic testing
Fused PVC test reports	2 weeks prior to hydrostatic testing
Pull data for directional drilling	2 weeks prior to hydrostatic testing
Weld Reports	2 weeks prior to hydrostatic testing
X-Ray/Radiographic records	2 weeks prior to hydrostatic testing
Flushing Report	Prior to C.C.C. inspection.
Hydrostatic Test Results	Prior to C.C.C. inspection.
Pressure Gauge Calibration Results	Prior to C.C.C. inspection.
Chlorine Residual Test Results	Prior to C.C.C. inspection.
Chlorine Test Kit Calibration Results	Prior to C.C.C. inspection.
Bacteriological Test Results	Prior to C.C.C. inspection.
Taste and Odour Test Results	Prior to C.C.C. inspection.
Thrust Block Report and Concrete Test Results	Prior to C.C.C. signing by Engineer.
URW Documentation & Crossing Permits	Prior to C.C.C. signing by Engineer.
As-Built Quantities and Costs Report	Prior to C.C.C. signing by Engineer.
Hydrant Flow Test Requests	Prior to C.C.C. signing by Engineer.
As-Built Drawings (for EPCOR review)	Prior to C.C.C. signing by Engineer.
Acceptance Letter from iWASS	Prior to F.A.C. signing by Engineer.
Water Main Grade Sheets	Prior to F.A.C. signing by Engineer.
Final As-Built Drawings	Prior to F.A.C. signing by Engineer.

- 1.4.7 The following outlines the submissions, reporting and record keeping requirements for water main flushing:
- 1.4.7.1 The Consultant must submit a Flushing Plan according to Section 1.4.2.6. The plan shall:
    - 1.4.7.1.1 Include a written flushing procedure;
    - 1.4.7.1.2 Include a spreadsheet indicating:
      - 1.4.7.1.2.1 Order of flushing runs;
      - 1.4.7.1.2.2 Length of flushing runs;
      - 1.4.7.1.2.3 Water supply (source valve);
      - 1.4.7.1.2.4 Discharge hydrant(s);
      - 1.4.7.1.2.5 Valve statuses for all valves on each flushing run;
      - 1.4.7.1.2.6 Pipe properties for each flushing run;
      - 1.4.7.1.2.7 Required discharge volume (to achieve five times the volume of the flushed segment);
      - 1.4.7.1.2.8 Minimum flow velocity for the size of the water main;
      - 1.4.7.1.2.9 Minimum flow rate to achieve the velocity;
      - 1.4.7.1.2.10 Type and size of ports to discharge the water;
      - 1.4.7.1.2.11 Number of ports;
      - 1.4.7.1.2.12 Estimated flow rate; and
      - 1.4.7.1.2.13 Required flush time.
    - 1.4.7.1.3 Include a drawing for each segment of flushing indicating the following:
      - 1.4.7.1.3.1 Water supply (source valve);
      - 1.4.7.1.3.2 Current flush;
      - 1.4.7.1.3.3 Completed flush;
      - 1.4.7.1.3.4 Opened Valve;
      - 1.4.7.1.3.5 Closed Valve(s);
      - 1.4.7.1.3.6 Discharge hydrant(s); and
      - 1.4.7.1.3.7 Legend clearly indicating the symbology on the drawing.
    - 1.4.7.1.4 Be signed and sealed by a Professional Engineer; and
    - 1.4.7.1.5 Be submitted for approval to [wpddocs@epcor.com](mailto:wpddocs@epcor.com).
  - 1.4.7.2 A copy of the approved Flushing Plan must be on site during flushing activities.
  - 1.4.7.3 A record of all flushing activities for the project must be recorded using the Flushing Report form provided on EPCOR's website.
- 1.4.8 The following outlines the submissions, reporting and record keeping requirements for hydrostatic testing:
- 1.4.8.1 The Consultant must submit a Hydrostatic Testing Plan according to Section 1.4.2.6. The plan shall:
    - 1.4.8.1.1 Include drawing for each segment of hydrostatic testing indicating:
      - 1.4.8.1.1.1 The segment to be tested;
      - 1.4.8.1.1.2 Top-up source(s);
      - 1.4.8.1.1.3 Air relief location(s);
      - 1.4.8.1.1.4 The location of the pump, testing equipment and connections to the new infrastructure;
      - 1.4.8.1.1.5 North arrow;
      - 1.4.8.1.1.6 Street name(s);
      - 1.4.8.1.1.7 Appurtenance(s); and
      - 1.4.8.1.1.8 Appurtenance number(s).
    - 1.4.8.1.2 Be signed and sealed by a Professional Engineer; and
    - 1.4.8.1.3 Be submitted for approval to [wpddocs@epcor.com](mailto:wpddocs@epcor.com).
  - 1.4.8.2 A copy of the approved Hydrostatic Testing Plan must be on site during flushing activities.
  - 1.4.8.3 The Consultant must submit the following documents (if applicable) at least 2 weeks prior to hydrostatic testing:
    - 1.4.8.3.1 Weld reports;
    - 1.4.8.3.2 X-ray/radiographic records;
    - 1.4.8.3.3 Coupon test results;

- 1.4.8.3.4 Fused PVC test reports; and
- 1.4.8.3.5 Pull data for directional drilling.
- 1.4.8.4 The hydrostatic testing results must be recorded at the testing location using the EPCOR standard form provided on EPCOR's website.
- 1.4.8.5 The form must be certified by the Consultant and the Contractor before submitting to the EPCOR Inspector.
- 1.4.8.6 Pressure gauge calibration results must be submitted as an attachment to the form.
- 1.4.9 The following outlines the submissions, reporting and record keeping requirements for disinfection, bacteriological and taste and odour testing:
  - 1.4.9.1 The Consultant must submit a Disinfection, Bacteriological and Taste and Odour Plan according to Section 1.4.2.6. The plan shall:
    - 1.4.9.1.1 Include a written disinfection procedure indicating the:
      - 1.4.9.1.1.1 Chlorine application method;
      - 1.4.9.1.1.2 Chlorine chemical to be used;
      - 1.4.9.1.1.3 Number of samples required;
      - 1.4.9.1.1.4 Discharge location;
      - 1.4.9.1.1.5 Dechlorination method; and
      - 1.4.9.1.1.6 Neutralizing chemical to be used.
    - 1.4.9.1.2 Include a sketch indicating:
      - 1.4.9.1.2.1 The chlorine injection point;
      - 1.4.9.1.2.2 The sampling point(s);
      - 1.4.9.1.2.3 The primary discharge location; and
      - 1.4.9.1.2.4 All valve statuses.
    - 1.4.9.1.3 Be signed and sealed by a Professional Engineer; and
    - 1.4.9.1.4 Be submitted for approval to [wpddocs@epcor.com](mailto:wpddocs@epcor.com).
  - 1.4.9.2 A copy of the approved Disinfection, Bacteriological and Taste and Odour Plan must be on site during flushing activities.
  - 1.4.9.3 The chlorination and bacteriological test results for the section of water main being tested must be recorded using the form provided on EPCOR's website.
  - 1.4.9.4 The form must be completed and stamped by a qualified engineering professional responsible for disinfection and bacteriological sampling.
  - 1.4.9.5 Chlorine test kit calibration results must be submitted as an attachment to the form.

## 1.5 REFERENCE STANDARDS

- 1.5.1 ORGANIZATIONS ISSUING STANDARDS INCLUDE:
  - 1.5.1.1 Alberta Environment and Parks (AEP)
  - 1.5.1.2 Alberta Government
  - 1.5.1.3 Alberta Health Services (AHS)
  - 1.5.1.4 American Society for Testing and Materials (ASTM)
  - 1.5.1.5 American National Standards Institute (ANSI)
  - 1.5.1.6 American Petroleum Institute (API)
  - 1.5.1.7 American Water Works Association (AWWA)
  - 1.5.1.8 Canadian Standards Association (CSA)
  - 1.5.1.9 National Association of Corrosion Engineers (NACE)
  - 1.5.1.10 National Sanitation Foundation (NSF)
  - 1.5.1.11 Underwriters Laboratories of Canada (ULC)

## 1.5.2 TECHNICAL STANDARDS AND GUIDELINES REFERENCED:

1.5.2.1 Unless otherwise designated, all specification and standard references refer to the latest edition. The listing provided below is for guidance. Other standards, not included here, may be applicable, and other references may be of use to consultants and contractors. Water mains and appurtenances shall conform to applicable standards, including the following:

- 1.5.2.1.1 Alberta Occupational Health and Safety Code
- 1.5.2.1.2 AWWA B300 – Hypochlorites
- 1.5.2.1.3 AWWA C104 – Cement Mortar Lining for Ductile-Iron Pipe and Fittings
- 1.5.2.1.4 AWWA C105 – Polyethylene Encasement for Ductile Iron Pipe Systems
- 1.5.2.1.5 AWWA C110 – Ductile-Iron and Gray-Iron Fittings
- 1.5.2.1.6 AWWA C111 – Rubber-Gasket Joints for Ductile-Iron Pressure Pipe and Fittings
- 1.5.2.1.7 AWWA C151 – Ductile-Iron Pipe, Centrifugally Cast
- 1.5.2.1.8 AWWA C200 – Steel Water Pipe—6 In. (150 mm) and Larger
- 1.5.2.1.9 AWWA C206 – Field Welding of Steel Water Pipe
- 1.5.2.1.10 AWWA C207 – Steel Pipe Flanges for Waterworks Service—Sizes 4 In. Through 144 In. (100 mm Through 3,600 mm)
- 1.5.2.1.11 AWWA C208 – Dimensions for Fabricated Steel Water Pipe Fittings
- 1.5.2.1.12 AWWA C209 – Cold Applied Tape Coatings for the Exterior of Special Sections, Connections, and Fittings for Steel Water Pipelines
- 1.5.2.1.13 AWWA C210 – Liquid Epoxy Coating Systems for the Interior and Exterior of Steel Water Pipelines
- 1.5.2.1.14 AWWA C213 – Fusion-Bonded Epoxy Coating for the Interior and Exterior of Steel Water Pipelines
- 1.5.2.1.15 AWWA C214 – Tape Coating Systems for Exterior of Steel Water Pipelines
- 1.5.2.1.16 AWWA C215 – Extruded Polyolefin Coatings for the Exterior of Steel Water Pipelines
- 1.5.2.1.17 AWWA C216 – Heat Shrinkable Cross-Linked Polyolefin Coatings for the Exterior of Special Sections, Connections, and Fittings for Steel Water Pipelines
- 1.5.2.1.18 AWWA C217 – Petrolatum and Petroleum Wax Tape Coatings for the Exterior of Connections and Fittings for Steel Water Pipelines
- 1.5.2.1.19 AWWA C219 – Bolted, Sleeve-Type Couplings for Plain-End Pipe
- 1.5.2.1.20 AWWA C223 – Fabricated Steel and Stainless Steel Tapping Sleeves
- 1.5.2.1.21 AWWA C301 – Pre-stressed Concrete Pressure Pipe, Steel-Cylinder type
- 1.5.2.1.22 AWWA C303 – Concrete Pressure Pipe, Bar-Wrapped, Steel-Cylinder Type
- 1.5.2.1.23 AWWA C304 – Design of Prestressed Concrete Cylinder Pipe
- 1.5.2.1.24 AWWA C500 – Metal-Seated Gate Valves for Water Supply Service
- 1.5.2.1.25 AWWA C502 – Dry-Barrel Fire Hydrants
- 1.5.2.1.26 AWWA C504 – Rubber-Seated Butterfly Valves, 3 In. (75 mm) Through 72 In. (1,800 mm)
- 1.5.2.1.27 AWWA C508 – Swing-Check Valves for Waterworks Service, 2-In. Through 24-In. (50-mm Through 600-mm) NPS
- 1.5.2.1.28 AWWA C509 – Resilient-Seated Gate Valves for Water Supply Service
- 1.5.2.1.29 AWWA C510 – Double Check Valve Backflow Prevention Assembly
- 1.5.2.1.30 AWWA C511 – Reduced-Pressure Principle Backflow Prevention Assembly
- 1.5.2.1.31 AWWA C512 – Air-Release, Air/Vacuum, and Combination Air Valves for Waterworks Service
- 1.5.2.1.32 AWWA C515 – Reduced-Wall, Resilient-Seated Gate Valves for Water Supply Service
- 1.5.2.1.33 AWWA C550 – Protective Interior Coatings for Valves and Hydrants
- 1.5.2.1.34 AWWA C600 – Installation of Ductile-Iron Mains and Their Appurtenances
- 1.5.2.1.35 AWWA C605 – Underground Installation of Polyvinyl Chloride (PVC) Pressure Pipe and Fittings for Water
- 1.5.2.1.36 AWWA C606 – Grooved and Shouldered Joints
- 1.5.2.1.37 AWWA C651 – Disinfecting Water Mains
- 1.5.2.1.38 AWWA C700 – Cold-Water Meters – Displacement Type, Bronze Main Case

- 1.5.2.1.39 AWWA C701 – Cold-Water Meters – Turbine Type, for Customer Service
- 1.5.2.1.40 AWWA C710 – Cold-Water Meters – Displacement Type, Plastic Main Case
- 1.5.2.1.41 AWWA C800 – Underground Service Line Valves and Fittings
- 1.5.2.1.42 AWWA C900 – Polyvinyl Chloride (PVC) Pressure Pipe and Fabricated Fittings, 4 In. Through 12 In. (100 mm through 300 mm), for Water Transmission and Distribution
- 1.5.2.1.43 AWWA C901 – Polyethylene (PE) Pressure Pipe and Tubing, ½ In. (13 mm) Through 3 In. (76 mm), for Water Service
- 1.5.2.1.44 AWWA C903 – Polyethylene—Aluminum—Polyethylene & Cross-linked Polyethylene—Aluminum—Cross-Linked Polyethylene Composite Pressure Pipes, ½ In. (12 mm) Through 2 In. (50 mm), for Water Service
- 1.5.2.1.45 AWWA C905 – Polyvinyl Chloride (PVC) Pressure Pipe and Fabricated Fittings, 14 In. Through 48 In. (350 mm through 1,200 mm)
- 1.5.2.1.46 AWWA C906 – Polyethylene (PE) Pressure Pipe and Fittings, 4 In. (100 mm) Through 63 In. (1,600 mm), for Water Distribution and Transmission
- 1.5.2.1.47 AWWA C907 – Injection-Molded Polyvinyl Chloride (PVC) Pressure Fittings, 4 In. Through 12 In. (100 mm through 300 mm), for Water Distribution
- 1.5.2.1.48 AWWA M9 – Concrete Pressure Pipe
- 1.5.2.1.49 AWWA M11 – Steel Pipe - A Guide for Design and Installation
- 1.5.2.1.50 AWWA M17 – Installation, Field Testing and Maintenance of Fire Hydrants
- 1.5.2.1.51 AWWA M22 – Sizing Water Service Lines and Meters
- 1.5.2.1.52 AWWA M23 – PVC Pipe—Design and Installation
- 1.5.2.1.53 AWWA M32 – Computer Modeling of Water Distribution Systems
- 1.5.2.1.54 AWWA M55 – PE Pipe—Design and Installation
- 1.5.2.1.55 CSA A23.1 – Concrete materials and methods of concrete construction
- 1.5.2.1.56 CSA A23.2 – Test methods and standard practices for concrete
- 1.5.2.1.57 CSA B64 – Selection and installation of backflow preventers
- 1.5.2.1.58 CSA B137.0 – Definitions, General Requirements and Methods of Testing for Thermoplastic Pressure Piping
- 1.5.2.1.59 CSA B137.1 – Polyethylene (PE) Pipe, Tubing and Fittings for Cold-Water Pressure Services
- 1.5.2.1.60 CSA B137.2 – Polyvinylchloride (PVC) Injection-Moulded Gasketed Fittings for Pressure Applications
- 1.5.2.1.61 CSA B137.3 – Rigid Polyvinylchloride (PVC) Pipe and Fittings for Pressure Applications
- 1.5.2.1.62 CSA B137.5 – Crosslinked Polyethylene (PEX) Tubing Systems for Pressure Applications
- 1.5.2.1.63 CSA C22.2 No. 38 – Thermoset Insulated Wires and Cables
- 1.5.2.1.64 CSA C22.3 No.4 – Control of Electrochemical Corrosion of Underground Metallic Structures
- 1.5.2.1.65 CSA C22.3 No.6 – Principles and Practices of Electrical Coordination between Pipelines and Electric Supply Lines
- 1.5.2.1.66 CSA W47.1 – Certification of Companies for Fusion Welding of Steel
- 1.5.2.1.67 CSA Z662 – Oil and Gas Pipeline Systems
- 1.5.2.1.68 API Standard 1104 – Welding of Pipelines and Related Facilities
- 1.5.2.1.69 ASTM A48 – Standard Specification for Gray Iron Castings
- 1.5.2.1.70 ASTM A105 – Standard Specification for Carbon Steel Forgings for Piping Applications
- 1.5.2.1.71 ASTM A307 – Standard Specification for Carbon Steel Bolts and Studs, 60 000 PSI Tensile Strength
- 1.5.2.1.72 ASTM A536 – Standard Specification for Ductile Iron Castings
- 1.5.2.1.73 ASTM B62 – Standard Specification for Composition Bronze or Ounce Metal Castings
- 1.5.2.1.74 ASTM B88 – Standard Specification for Seamless Copper Water Tube
- 1.5.2.1.75 ASTM B418 – Standard Specification for Cast and Wrought Galvanic Zinc Anodes
- 1.5.2.1.76 ASTM B843 – Standard Specification for Magnesium Alloy Anodes for Cathodic Protection
- 1.5.2.1.77 ASTM C33 – Standard Specification for Concrete Aggregates
- 1.5.2.1.78 ASTM C150 – Standard Specification for Portland Cement



- 1.5.2.1.79 ASTM D3034 – Standard Specification for Type PSM Poly(Vinyl Chloride) (PVC) Sewer Pipe and Fittings
- 1.5.2.1.80 ASTM F477 – Standard Specification for Elastomeric Seals (Gaskets) for Joining Plastic Pipe
- 1.5.2.1.81 ASTM F1962 – Standard Guide for Maxi-Horizontal Directional Drilling for Placement of Polyethylene Pipe or Conduit Under Obstacles, Including River Crossings
- 1.5.2.1.82 ASTM F2620 – Standard Practice for Heat Fusion Joining of Polyethylene Pipe and Fittings
- 1.5.2.1.83 ASTM G57 – Standard Test Method for Field Measurement of Soil Resistivity Using the Wenner Four-Electrode Method
- 1.5.2.1.84 ASTM G97 – Standard Test Method for Laboratory Evaluation of Magnesium Sacrificial Anode Test Specimens for Underground Applications
- 1.5.2.1.85 Canadian Electrical Code (CEC) C22.1 – Safety Standard for Electrical Installations, Parts 1 and 2
- 1.5.2.1.86 CSA-A3000
- 1.5.2.1.87 NACE SP0169-2013 - Control of External Corrosion on Underground or Submerged Metallic Piping Systems
- 1.5.2.1.88 National Sanitation Foundation (NSF) Standard 14 – Plastics Piping System Components & Related Materials
- 1.5.2.1.89 National Sanitation Foundation (NSF) Standard 61 – Drinking Water System Components - Health Effects

### 1.5.3 DRAFTING GUIDELINES

- 1.5.3.1 All streets and avenues shall be identified according to the name or number shown on the registered plan of the subdivision. Alleys shown on drawings where the adjacent street or avenue is not shown, shall be identified as the alley east or west of a street, or the alley north or south of an avenue; e. g. LW 115 Street, LN 145 Avenue.
- 1.5.3.2 The position of all hydrants, valves, plugs, bends, crosses, tees, reducers and other fittings or appurtenances shall be noted and dimensioned in two directions from the property line(s). Co-ordinates given in NAD83 3TM will be accepted in place of dimensions.
- 1.5.3.3 Water main annotation shall include pipe size, pipe material, manufacturer and dimension ratio (DR).
- 1.5.3.4 A detailed description of all fittings must be indicated, for example: 200 mm x 150 mm reducer 200 mm x 22.5° bend. Tees and crosses must be indicated with a minimum of 2 sizes as shown in the following examples:
  - 1.5.3.4.1 For a 250 mm x 200 mm Tee the run is 250 mm and the branch is 200 mm in diameter.
  - 1.5.3.4.2 For a 250 mm x 200 mm Cross the run is 250 mm and the branches are 200 mm in diameter.
- 1.5.3.5 If the sizes of the through branches differ, each of the four branch sizes must be shown.
- 1.5.3.6 All applicable Standard Details for water mains and appurtenances are shown or listed on the drawings.
- 1.5.3.7 All boundary valves must be clearly identified on the engineering drawings.
- 1.5.3.8 For any submissions that are proposed to be staged: ensure that staging boundaries, interim boundary valves, and interim plugs are clearly identified on the engineering drawings.
- 1.5.3.9 Hydrant circles at 90 m or 150 m in diameter must be shown on overall utility plans. Circle diameter is to be appropriate for adjacent zoning. In locations where circles of different sizes may be required due to mixed zoning show both circles.

## 1.6 WATER MAINS

### 1.6.1 LOCATION

- 1.6.1.1 When gas, power, and telecommunications utilities are installed in a single trench (four party trenching) primary power may be installed on the same side of the road as the water main.
- 1.6.1.2 Parks furniture must be installed in a manner to prevent conflicts with operations and maintenance of hydrants and hydrant control valves.
- 1.6.1.3 Where a tree or shrub bed is installed within 5.0 m of a valve, hydrant, or curb cock, dimensions must be provided as part of the engineering drawing submission package.

### 1.6.2 DEPTH

- 1.6.2.1 Pipe grades shall be shown on the engineering drawings. Table 1.2 shows the minimum depth of water main invert below the curb top, excluding those areas considered by the Engineer to be of greater risk of freezing based due to soil conditions.

Table 1.2: Minimum water main depths

Diameter	Minimum depth of invert below curb top
150 mm	2.59 m
200 mm	2.62 m
250 mm	2.64 m
300 mm	2.67 m
350 mm	2.70 m
400 mm	2.72 m
450 mm	2.75 m

1.6.2.2 For areas considered by the Engineer to be of greater risk of freezing, generally shown by the shaded regions in Figure 1.1, position water infrastructure an additional 300 mm below curb top relative to the depths shown in Table 1.2.

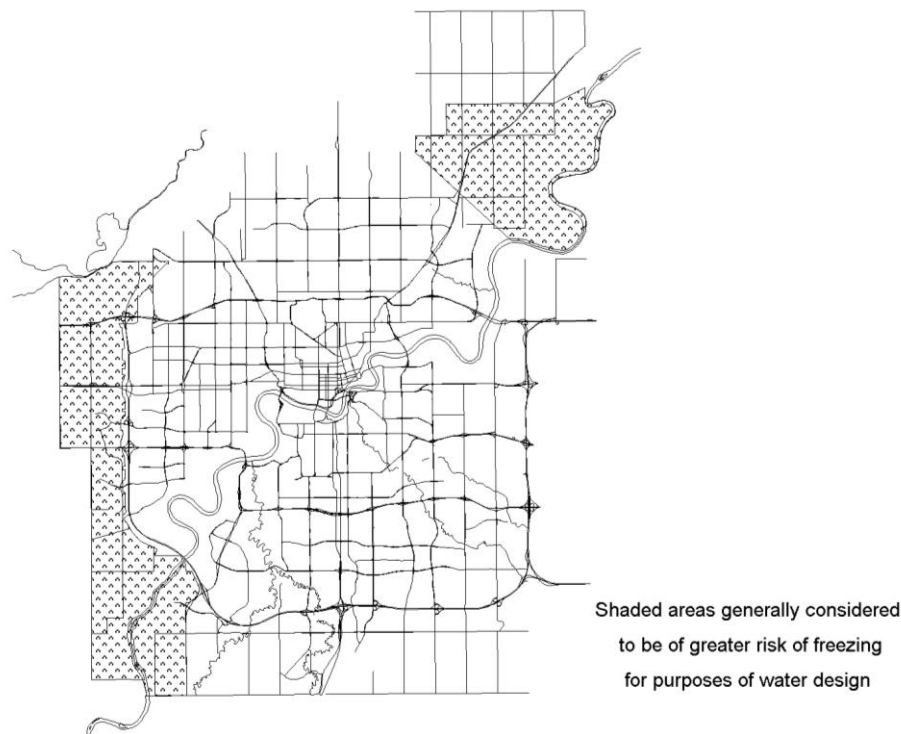


Figure 1.1: Areas in Edmonton where water mains are generally considered to have a greater risk of freezing due to soil conditions

- 1.6.2.3 All hydrant leads are to be designed level. The bottom of the hydrant flange is to be set a minimum of 50 mm above finished grade. Hydrants must be installed at standard depth.
  - 1.6.2.3.1 If approved by the Engineer, deep bury hydrants can be installed in accordance with Drawing WA-004-002.
- 1.6.2.4 Water mains must be designed so that the depth of the valve operating nut is between 1.8 m and 2.5 m from finished grade.
- 1.6.2.5 At the Engineer's discretion, installation at less than the minimum depth may be permitted with the provision of appropriate insulation. Refer to Drawing WA-002-001.

1.6.3 SIZING

- 1.6.3.1 Sizing of water mains will be determined by hydraulic network analysis as set out in Section 1.12.2. Additional information on completing hydraulic modelling can be found in EPCOR Water Services' HNA Consultant's Handbook, available from the EPCOR Website.
- 1.6.3.2 The same water main diameter and material specification shall be used from intersection to intersection of pipe.

- 1.6.3.3 The minimum diameter of a distribution main shall be 200 mm unless its only purpose is to provide service, not fire protection, to an area. After the last hydrant tee on a dead end, the water main diameter should be reduced to 150 mm.
- 1.6.4 DEAD-ENDS
- 1.6.4.1 Temporary dead-ends shall be plugged with standard plugs or caps and shall be provided with reaction or thrust blocks, in accordance with Drawing WA-002-002. Where required, caps or plugs shall be tied to fittings with clamps and tie rods.
- 1.6.4.2 Temporary dead ends less than 200 mm in diameter shall be installed with temporary flush points in accordance with Drawing WA-002-003.
- 1.6.4.3 A permanent hydrant must be provided for all temporary dead ends 200 mm to 400 mm in diameter directly adjacent to the boundary valve. If a hydrant cannot be provided, an alternative means of flushing the water main must be provided as part of the engineering design.
- 1.6.4.3.1 A flush point in accordance with Drawing WA-002-003 must still be provided on the stub end at the plug to confirm depressurization.
- 1.6.4.4 Permanent dead ends shall be plugged and tapped with a flush point in accordance with Drawing WA-002-003.
- 1.6.4.5 Cul-de-sacs 120m or longer are to have a second feed provided to the cul-de-sac through a walk way or emergency access. This walk way/emergency access is to be registered as road right-of-way.
- 1.6.4.5.1 Cul-de-sacs less than 120m in length should have a second feed provided if a walkway or emergency access is to be provided to the cul-de-sac and the walkway leads to a road where water mains are available.
- 1.6.4.5.2 Cul-de-sacs less than 120m in length will require a second feed if the number of lots within the cul-de-sac exceeds 30 lots.
- 1.6.4.5.3 Valves at the entry of the cul-de-sac shall be designed such that an isolation of the fronting road does not exceed 30 lots to a shutdown, including all affected lots on the fronting road and all lots within the cul-de-sac.
- 1.6.5 CATHODIC PROTECTION FOR BURIED STEEL PIPE AND FITTINGS
- 1.6.5.1 All steel pipe and fittings require cathodic protection. Refer to Section 7.
- 1.6.5.2 In order to calculate the type, weight and spacing of the anodes, a soil resistivity analysis shall be conducted along the length of the pipeline. A report on soil resistivity's and the weight and spacing of anodes is to be provided to the Engineer along with the first submission of engineering drawings.
- 1.6.5.3 All existing steel pipes being connected to must have at least two 7.7kg (17lb) sacrificial magnesium anodes at the point of connection.
- 1.6.5.4 The composition of the magnesium anodes must conform to the most recent publication of ASTM B843 and the Construction Specifications.
- 1.6.6 CATHODIC PROTECTION FOR BURIED NON-STEEL METALLIC FITTINGS, VALVES AND HYDRANTS
- 1.6.6.1 All buried non-steel metallic fittings and valves shall be cathodically protected with 7.7 kg magnesium anodes and all hydrants shall be cathodically protected with a 7.7 kg magnesium anodes as per Drawings WA-007-003 and WA-007-004. The composition of the magnesium anodes must conform to the most recent publication of ASTM B843 and the Construction Specifications.
- 1.6.6.2 All exterior bolts on valves, hydrants and couplings shall be Stainless Steel type 304 or an approved equivalent.
- 1.6.6.3 All existing cast iron or ductile iron pipes being connected to must have at least two 7.7 kg (17lb) magnesium anode at the point of connection. The composition of the magnesium anodes must conform to the most recent publication of ASTM B843 and Section 7.
- 1.6.7 CATHODIC PROTECTION FOR COPPER WATER SERVICES AND WATER MAINS
- 1.6.7.1 All copper services 50 mm and smaller in diameter shall have a 7.7 kg magnesium anode attached to the copper service pipe and located 1.0 metre from the curb cock within the road right-of-way in accordance with Drawing WA-007-006. The composition of the magnesium anodes must conform to the most recent publication of ASTM B843 and the Construction Specifications. The magnesium anode wire is to be clamped to the copper pipe with an all-brass clamp or an approved equivalent.

1.6.7.2 All copper water mains shall have a 7.7 kg magnesium anode attached to the copper pipe at 20 m spacing. The composition of the magnesium anode must conform to the most recent publication of ASTM B843 and the Construction Specifications. The magnesium anode wire is to be clamped to the copper pipe with an all-brass clamp or an approved equivalent.

#### 1.6.8 ISOLATION LOCATIONS FOR ELECTRICAL CURRENT

1.6.8.1 Where proposed construction includes a connection to existing piping at water reservoir or pump station sites, the engineering drawings shall include details for the electrical current isolation of the new steel, concrete cylinder pipelines or other metallic pipes from the reservoir or pump station piping, as required.

1.6.8.2 Test stations shall be provided at all isolation locations with one lead bonded on each side of the isolator so that isolation integrity can be checked. Test stations shall be constructed in accordance with Drawing WA-007-001 and Section 7.

#### 1.6.9 THRUST BLOCKS

1.6.9.1 Provide a concrete thrust block at each dead end, valve, tee, bend, hydrant, reducer, transition coupling, or fitting and at any change in pipe diameter or direction.

1.6.9.2 Thrust blocks must be designed to actual soil conditions. Refer to Drawings WA-002-002, WA-002-007, WA-002-008a, WA-002-008b, WA-002-009, and WA-004-001 as a guideline.

1.6.9.3 Joint restraints may also be required in conjunction with thrust blocks. Calculations must be submitted to EPCOR prior to drawing approval per Section 1.4.2.4.

#### 1.6.10 WATER MAIN CASINGS

1.6.10.1 Water main casings are required during the following scenarios:

1.6.10.1.1 Railway Crossings;

1.6.10.1.2 Pipeline Crossings;

1.6.10.1.3 Light Rail Transit Crossings;

1.6.10.1.4 Creek Crossings;

1.6.10.1.5 When a water main is crossing under a large diameter storm main; and

1.6.10.1.6 At all other locations as designated by the Engineer, EPCOR Water Services.

1.6.10.2 Casings to be installed in accordance with Detail Drawing WA-002-011. Water main casing material to be steel complete with anodes unless otherwise specified on the engineering drawings.

#### 1.6.11 WATER MAIN MATERIALS

1.6.11.1 Accepted water main materials are provided in Section 11.3.

1.6.11.2 Water main materials shall not change between valves (i.e. midline). Material transitions must be coordinated and approved by the Engineer.

#### 1.6.12 JOINT RESTRAINTS

1.6.12.1 If an abandoned wellhead or wellsite is present in the construction area:

1.6.12.1.1 Joint restraints are required if the area has been reclaimed within 5 years of proposed water main construction and if the geotechnical report shows that the reclaimed soil does not meet the minimum bearing capacity of 72 kPa.

1.6.12.1.2 Joint restraints are not required if the area has been reclaimed more than 5 years prior to proposed water main construction and a Reclamation Certificate is submitted to EPCOR Water.

1.6.12.2 Joint restraints are required if there is less than 0.5 m from original ground to the water main obvert. If the bottom of the top soil and marginal material is less than 0.3 m above the pipe obvert, joint restraints shall be required.

1.6.12.3 Joint restraints are required if there is a deep sewer construction 4 m or more below the water main invert.

1.6.12.4 All joint restraints installed in a construction area shall be witnessed by an EPCOR Water Inspector prior to backfilling.

1.6.12.5 Extents of joint restraints are to be shown on engineering drawing submissions.

#### 1.6.13 ISOLATION SECTIONS

1.6.13.1 An isolation section is defined as any section of water main that can be isolated with one or more valves.

- 1.6.13.2 Each isolation section must have an appurtenance installed along the main to confirm the main is properly isolated as required by the Alberta Occupational Health and Safety Code (Alberta Regulation 87/2009). The following appurtenances can be used to confirm isolation:
  - 1.6.13.2.1 Hydrants;
  - 1.6.13.2.2 Flush points;
  - 1.6.13.2.3 MAVs; and
  - 1.6.13.2.4 Blow offs.
- 1.6.13.3 Water services are not sufficient devices to confirm isolation as entry into private property cannot be guaranteed.

## 1.7 FIRE HYDRANTS

### 1.7.1 LOCATION AND SPACING

- 1.7.1.1 In cul-de-sacs which are 90 m or less in length, the fire hydrant shall be installed on the intersecting street at or near the intersection with the cul-de-sac.
- 1.7.1.2 Where a public and emergency access is provided to a top-of-the-bank walkway, a fire hydrant shall be located within the road right-of-way in close proximity to the public and emergency access.
- 1.7.1.3 Each fire hydrant shall be connected to the main with a 150 mm PVC branch controlled by an independent 150 mm gate valve. The valve shall be installed entirely out of the sidewalk and shall be located a minimum of 0.9 m from the hydrant.
  - 1.7.1.3.1 In the event that the hydrant shall be located on an arterial road or adjacent to a school site, the hydrant control valve shall be strapped to the tee of the water main and the 150 mm PVC branch.
- 1.7.1.4 If hydraulically required, hydrant leads may be upsized to 200 mm using a reducer 4 m from the hydrant.
- 1.7.1.5 The maximum allowable spacing between fire hydrants shall be 150 m in single-family and semi-detached residential areas and 90 m in all other areas (i.e. multiple-family residential, school, industrial/commercial areas).
- 1.7.1.6 Where the water table is located above the fire hydrant drain, the hydrant drain ports may require plugging. These hydrants must be clearly identified on the engineering drawings and as-built submission. Hydrants with plugged drain ports must be pumped free of standing water after each use.
  - 1.7.1.6.1 Hydrant drain ports shall be plugged with approved internal plugs as per manufacturer's specifications.
- 1.7.1.7 If a hydrant and/or control valve must be located in a ditch area, an access pad must be constructed to allow safe access to the appurtenance (refer to Drawing WA-004-005 for standard detail).
- 1.7.1.8 Hydrant numbers shall be painted with black or blue colour Benjamin Moore rust inhibitive alkyd paint just below the dome on the side of the barrel that points away from the street. A 50 mm font shall be used for all numbering. Hydrant body to be painted with safety yellow colour, hydrant caps to be painted in accordance with NFPA 291. The location of the hydrant control valve is to be marked on hydrant. Markings to be in direct alignment with valve; see Section 4.2.1.17.4 for more information.

## 1.8 VALVES

### 1.8.1 LOCATION AND SPACING

- 1.8.1.1 The location and spacing of valves in the water system should be such that when in operation:
  - 1.8.1.1.1 No more than two hydrants are taken out of service by a water main shutdown;
  - 1.8.1.1.2 No more than four valves are required to achieve a shutdown;
  - 1.8.1.1.3 No more than 150 single-family lots are taken out of service by a water main shutdown in the interim; and
  - 1.8.1.1.4 No more than 30 single-family lots are taken out of service by a water main shutdown in the ultimate design.
    - 1.8.1.1.4.1 If a water main is shut down in front of a cul-de-sac, the lots in the cul-de-sac must be counted as part of the shutdown.
- 1.8.1.2 Valves must be located at the entrance of cul-de-sacs to allow isolation of the cul-de-sac.
- 1.8.1.3 Valves will be located a maximum of 800 m apart on water mains 450 mm diameter and larger.
- 1.8.1.4 Valves will be located at both ends of a water main passing through a utility lot, walkway or URW and will be placed a minimum of 0.5 m from the property line or its projection.

- 1.8.1.5 Valve locations are subject to adjustment by the Engineer to account for operations and maintenance needs, including but not limited to safety and the ability to locate the valve.

## 1.8.2 VALVE STOPPERS

- 1.8.2.1 Interim and future boundary valves must be closed and stoppered with green stoppers.
- 1.8.2.2 Large service control valves must be closed and stoppered with white stoppers.

## 1.9 WATER SERVICES

### 1.9.1 GENERAL

- 1.9.1.1 The scope of work described in this section pertains only to that portion from the connection at the distribution main between the main stop and curb stop, for services 50 mm and smaller. EPCOR is not responsible for ownership or maintenance of the portion of the service on the private side of the service valve.
- 1.9.1.2 Water services must also comply with the requirements of the EPCOR Water Services and Wastewater Treatment Bylaw and all applicable bylaws as amended. Please see Section 1.1.1.1 for information on residential water service sizing.
- 1.9.1.3 Water services will not be permitted off of mains 450 mm in diameter or larger.
- 1.9.1.4 Water services for industrial, commercial, or institutional applications shall be sized and located according to all relevant codes and regulations and in accordance with current industry standards as presented in AWWA Manual M22 and shall be subject to approval by the Engineer.
- 1.9.1.5 Water services for multifamily, mixed use, industrial, commercial, or institutional applications shall be sized and located according to all relevant codes and regulations and in accordance with current industry standards as presented in AWWA Manual M22 and shall be subject to approval by the Engineer.
- 1.9.1.6 Some building complexes may require more than one service pipe to be installed. The design and construction of such service pipes (including considerations for cross-connections and backflow prevention) shall be in accordance with the National Plumbing Code of Canada.
  - 1.9.1.6.1 Private mains that are connected to the public network at two or more locations and are interconnected, creating a looped system must have check valves installed to prevent any backflow to the public system.
  - 1.9.1.6.2 Lots where two or more services are installed and further subdivision is not proposed must have a Caveat of Restrictive Covenant for Check Valve Installation registered on title.
- 1.9.1.7 For large water services (100 mm in diameter and larger), valves shall be of the same size as the water service piping and shall be gate valves in accordance with Section 11. Valves shall be of the non-rising stem type, equipped with a 50 mm operating nut and shall turn counter-clockwise to open. Large service valves shall be either TVS installations or the valve shall be strapped to the tee in accordance with Drawing WA-003-009.
  - 1.9.1.7.1 Bacteriological test results showing a pass must be submitted to EPCOR Water Dispatch prior to the opening of the service valve for all water services 50mm in diameter and larger. Service valves 50mm in diameter and larger cannot be opened except by EPCOR Water Services.
- 1.9.1.8 No water service intermediate in size (between 50 mm and 100 mm) shall be permitted.
- 1.9.1.9 The invert of the water service shall be  $2.7 \pm 0.15$  m below finished grade at the curb cock.
- 1.9.1.10 Single water services shall be normally laid in the middle of the property and shall intersect the property line at an angle as near 90° as possible.
- 1.9.1.11 Water and sewer services installation shall be in accordance with Drawings WA-005-007 and WA-005-008.

## 1.10 MANUAL AIR VENTS (MAV)

### 1.10.1 GENERAL

- 1.10.1.1 A manual air vent is required:
  - 1.10.1.1.1 At the high point(s) of a water main with a diameter 450 mm or larger;
  - 1.10.1.1.2 On either side of a valve where the pipe diameter is 450 mm or greater. Refer to Drawings WA-003-014 through WA-003-018; and
  - 1.10.1.1.3 As specified by the Engineer.
- 1.10.1.2 Place manual air vents within the boulevard. Manual air vents may be placed in the roadway, subject to prior approval, in the following cases:
  - 1.10.1.2.1 The available space in the boulevard is more than 4 m away from the water main;

- 1.10.1.2.2 There is not enough room in the boulevard to install a manual air vent; or
- 1.10.1.2.3 It is otherwise deemed necessary by the Engineer.

## 1.11 BLOW OFFS

### 1.11.1 GENERAL

- 1.11.1.1 A blow off hydrant or flush mount hydrant is required at the low point(s) in a transmission water main. Refer to Drawings WA-002-006 and WA-002-005 respectively.
- 1.11.1.2 Design and install water mains that have a diameter 450 mm or larger with a slope of 0.4% or greater, unless otherwise approved by the Engineer.
- 1.11.1.3 Blow off hydrants are preferred, although a flush mount hydrant may be accepted in the following cases:
  - 1.11.1.3.1 A hydrant cannot be installed at its final alignment due to a future sidewalk or road widening;
  - 1.11.1.3.2 The blow off is located outside of the road right of way;
  - 1.11.1.3.3 There is not enough room in the boulevard to install a hydrant; or
  - 1.11.1.3.4 It is otherwise deemed necessary by the Engineer.
- 1.11.1.4 Blow off or flush mount hydrants must be located in proximity to a catch basin to allow for future flushing and draining operations.

## 1.12 HYDRAULIC NETWORK ANALYSIS (HNA)

### 1.12.1 SUBMISSIONS

- 1.12.1.1 In general, a hydraulic network analysis (HNA) is required for any new development for which a hydraulic analysis has not been previously approved, or for any development that significantly alters the servicing scheme such that a previously approved hydraulic network analysis is no longer applicable. A hydraulic network analysis report, signed and sealed by a registered professional engineer, shall be submitted for approval by the Engineer at the following stages in the planning process:
  - 1.12.1.1.1 Area Structure Plan (ASP);
  - 1.12.1.1.2 Neighbourhood Structure Plan (NSP);
  - 1.12.1.1.3 Subdivision Approval; and
  - 1.12.1.1.4 Interim Staging Analysis.
- 1.12.1.2 The HNA report must be supported by the results of computer modeling of the proposed distribution system. Refer to AWWA Manual M32 for more information on computer modeling of a water network.
- 1.12.1.3 If the Area Structure Plan and Neighbourhood Structure Plan stages are omitted or superseded, a hydraulic network analysis (which meets the requirements of a Neighbourhood Structure Plan hydraulic network analysis) must be submitted at the Neighbourhood Area Structure Plan, Subdivision Plan, Zoning Bylaw or Servicing Concept Design Brief stage.
- 1.12.1.4 If a subdivision or stage is covered in sufficient detail by a hydraulic network analysis submitted and approved at a previous stage then, at the discretion of the Engineer, the responsible party may be released from the obligation to submit a further analysis.
- 1.12.1.5 If the responsible party, acting reasonably, is unable to produce a hydraulic network analysis report in the early stages of the planning process, they may apply in writing to the Engineer to defer production of the analysis to a later stage. The responsible party must submit a hydraulic network analysis, which meets the requirements of a Subdivision hydraulic network analysis, a minimum of 30 days before the submission of detailed engineered drawings. The Engineer must approve the relevant analysis prior to approving the drawings.
- 1.12.1.6 The Engineer, acting reasonably, may require additional hydraulic network analysis reports to demonstrate satisfactory performance of the water distribution system. Similarly the Engineer may require electronic copies of the hydraulic network analysis to incorporate into EPCOR's hydraulic model for further analysis.
- 1.12.1.7 The following items will be provided to EPCOR Water Services at the time of HNA submission for EPCOR Water Services' review and approval:
  - 1.12.1.7.1 A coil bound hardcopy of the report
  - 1.12.1.7.2 A digital version of the HNA in .pdf format
  - 1.12.1.7.3 A model extract in the form of .shp file for the pipe network and a .dbf file for the node data.

1.12.1.8 For more detailed information on hydraulic modelling please refer to EPCOR Water Services' HNA Consultant's Handbook, available on the EPCOR website.

#### 1.12.2 AREA STRUCTURE PLAN AND NEIGHBOURHOOD STRUCTURE PLAN REQUIREMENTS

1.12.2.1 The Area Structure Plan HNA report must at a minimum include the simulation of all pipes 450 mm or larger in diameter. In addition, pipes less than 450 mm in diameter must be included if:

1.12.2.1.1 High value fire flows (300 L/s requirement) are being modelled;

1.12.2.1.2 They are primary feeds or spines within the neighbourhoods; or

1.12.2.1.3 Servicing areas of extreme elevation.

1.12.2.2 The Neighbourhood Structure Plan or equivalent level HNA report must at a minimum include the simulation of all pipes 300 mm or larger in diameter.

1.12.2.3 Both types of analyses above must also include the following requirements:

1.12.2.3.1 An introduction with a general description of the proposed development;

1.12.2.3.2 A section defining the population densities and commercial/industrial flow rates used along with an explanation of how they were determined and assigned to the individual model nodes. Please refer to AWWA Manual M22 for methods to calculate demand required. As well, refer to Section 5.2.2 of the HNA Consultant's Handbook for more information on Industrial, Commercial, and Institutional Land Use demands if applicable;

1.12.2.3.3 A section describing the boundary conditions used for the analysis and how they were obtained;

1.12.2.3.4 A section indicating the staging and approximate timing for development of each stage to help EPCOR identify Land Development Application (LDA) requirements and to ensure looping;

1.12.2.3.5 A section indicating the estimated timing for the construction of transmission mains;

1.12.2.3.6 A section indicating assumptions used for modelling, e.g., pipe material, Hazen William's C- factor, demand / consumption rates and minimum allowable pressures;

1.12.2.3.7 A figure showing the pipe network and the proposed land use zoning;

1.12.2.3.8 A figure showing the location of the study area;

1.12.2.3.9 A figure showing the proposed staging of development;

1.12.2.3.10 A figure showing the site topography;

1.12.2.3.11 A figure showing the node demand boundaries;

1.12.2.3.12 A figure or figures showing the assigned pipe and node numbers and pipe diameters and any other hydraulic elements modelled into the system, e.g. check valves and booster pumps;

1.12.2.3.13 A table or tables showing the node names, pipe names and lengths, location of fire flow simulations, node elevations and properties of any other hydraulic elements modelled into the system, e.g. check valves and booster pumps;

1.12.2.3.14 The identification of nodes where peak hour pressures are less than 280 kPa and less than 350 kPa, including any multi-family or commercial areas with onsite grading that results in peak hour pressures below 280 kPa at ground level. (See Item 12.4.2 regarding node elevation);

1.12.2.3.15 The identification of nodes where maximum pressures are greater than 550 kPa;

1.12.2.3.16 An appendix containing model runs for the interim and / or ultimate stages of development for the following conditions:

1.12.2.3.16.1 Peak hour;

1.12.2.3.16.2 Maximum day plus fire flow runs at all critical locations (i.e., high value properties, remote locations, high elevation locations); and

1.12.2.3.16.3 Other simulations as requested by the Engineer.

1.12.2.3.17 The appendix requires a pipe table, a junction or node table, and a reservoir table for each scenario. Additionally, available fire flow reports are to be included for each maximum day plus fire flow scenario; and

1.12.2.3.18 For more detailed guidelines on these HNA requirements, refer to Section 2 and 3 of the HNA Consultant's Handbook

#### 1.12.3 SUBDIVISION APPROVAL AND INTERIM STAGING ANALYSIS REQUIREMENTS

1.12.3.1 The Subdivision level HNA report must at a minimum include the simulation of all pipes 200 mm or larger in diameter and include the following requirements:



- 1.12.3.1.1 An introduction with a general description of the proposed development;
- 1.12.3.1.2 A section describing the boundary conditions used for the analysis and how they were obtained;
- 1.12.3.1.3 A section indicating the assumptions used for modelling, e.g. pipe material, Hazen William's C- factor, demand consumption rates and minimum allowable pressures;
- 1.12.3.1.4 A section describing the results of all simulations;
- 1.12.3.1.5 A figure showing the location of the development;
- 1.12.3.1.6 A figure showing the zoning and lot count;
- 1.12.3.1.7 A figure showing the node demand boundaries;
- 1.12.3.1.8 Figures showing the assigned pipe and node numbers, pipe diameters and lengths, location of fire flow simulations, node elevations and any other hydraulic elements modelled into the system, e.g. check valves, pressure or flow regulators and booster pumps;
- 1.12.3.1.9 The identification of nodes where peak hour pressures are less than 280 kPa and less than 350 kPa, including multi-family or commercial areas with on-site grading which results in peak hour pressure below 350 kPa at the node; (See Section 1.12.4.2 regarding node elevation.)
- 1.12.3.1.10 The identification of nodes where maximum pressures are greater than 550 kPa;
- 1.12.3.1.11 Pipes less than 200 mm in diameter must be included if they are required to service areas of extreme elevation or dead ends;
- 1.12.3.1.12 An appendix containing model runs for the following conditions:
  - 1.12.3.1.12.1 Peak hour;
  - 1.12.3.1.12.2 Maximum day plus fire flow runs at all critical locations (i.e., high value properties, remote locations, high elevation locations); and
  - 1.12.3.1.12.3 Other simulations as requested by the Engineer.
- 1.12.3.1.13 The appendix requires:
  - 1.12.3.1.13.1 A pipe table;
  - 1.12.3.1.13.2 A junction or node table;
  - 1.12.3.1.13.3 A reservoir table for each scenario; and
  - 1.12.3.1.13.4 Available fire flow reports for each maximum day plus fire flow scenario.
- 1.12.3.1.14 For more detailed guidelines on these HNA requirements, refer to Sections 2 and 3 of the HNA Consultant's Handbook;

#### 1.12.4 STANDARDS AND GUIDELINES

- 1.12.4.1 The applicable standards and guidelines used in the preparation of hydraulic network analyses are listed in the following table:

Table 1.3: Guidelines for Hydraulic Network Analysis

Parameter	Value
Minimum Peak Hour Pressure (See Section 1.12.4.2)	280 kPa
Minimum Maximum Day + Fire Flow Pressure	140 kPa
Minimum Maximum Day Pressure (For Operation of Residential Fire Sprinklers)	350 kPa
Maximum Allowable Pressure in Distribution System	700 kPa
Maximum Allowable Pressure for Water Services (See Section 1.12.4.2)	550 kPa
Average Day Demand (ADD)	220 L/c/d
Maximum Day Demand (MDD)	330 L/c/d
Peak Hour Demand (PHD)	660 L/c/d
Maximum Hazen-William's Coefficient	120
Fire Flow for Single Family Residential (RF1, RF2, RPL, RSL, RF4)	100 L/s
Fire Flow for Mid-Value Multi Family Residential (RF3, RF5, RMD)	180 L/s
Fire Flow for High-Value Multi Family Residential (RF6, RA7, RA8, RA9, UCRH)	300 L/s
Fire flow for High-Value Properties (including school, institutional, commercial, industrial, and mixed use sites – all zonings not included above. (See Section 1.12.4.5)	300 L/s

- 1.12.4.2 Pressures in the above table are relative to node elevation. Node elevation is to be set at the ground elevation of the highest point of service within the demand boundary for that node.
- 1.12.4.3 Where a proposed water servicing scheme requires pressure regulating devices (including but not limited to booster pump stations, check valves, pressure reducing valves and pressure sustaining valves) then the report should include a copy of the peak hour and maximum day simulations without these devices to facilitate evaluation of the need, operational characteristics and consequences of failure.
- 1.12.4.4 Where a proposed water servicing scheme requires the installation or removal of any temporary water infrastructure, the responsible party shall, at their sole expense, design, install, remove and abandon any temporary water main and its associated appurtenances to the satisfaction of the Engineer.
- 1.12.4.5 The fire flow requirements for DC1 and MDR zoning is site specific depending on the build form. The intended build form should be identified in the report. Refer to Section 5.3 of the HNA Consultant's Handbook for more details on the fire flow requirements for these and all other zone types.
- 1.12.4.6 In the event that a subdivision is proposed to be staged into multiple phases, an interim staging HNA is required. This HNA will contain all items identified in 1.12.3.1 and depending on the nature of the phasing may require multiple maximum day plus fire flow analyses and any other simulations as requested by the Engineer.

## 1.13 MATERIALS

### 1.13.1 GENERAL

- 1.13.1.1 Approved materials for water mains, fittings, valves, fire hydrants, valve casings and water services are listed in Section 11. Only materials listed in Section 11 are to be included in the design.
- 1.13.1.2 Deviation from the Approved Materials for use in the water transmission and distribution system shall only be permitted on a case by case basis with the written approval of the Engineer.
- 1.13.1.3 Use of flow stops, insertion valves, or other non-standard appurtenances or construction methodologies must be submitted for review and approval to the Engineer prior to commencing construction.

## 1.14 UTILITY RIGHT OF WAYS, RESTRICTIVE COVENANTS AND CAVEATS

### 1.14.1 GENERAL

- 1.14.1.1 Water mains constructed outside of public road right of way require maintenance and operation. URWs registered to EPCOR Water Services Incorporated are required. Service roads may be required, and must be shown on the engineering drawings, to ensure this infrastructure can be accessed in the future.

- 1.14.1.2 Water utility right of ways (URWs) must be a minimum of 6.0 m wide unless otherwise specified. Water mains shall be located at a minimum of 1.2 m from a property line or edge of URW, unless otherwise approved by the engineer.
- 1.14.1.2.1 Mains  $\geq 350$  mm in diameter should not be placed in URWs unless pre-approved by the Engineer. The width of the URW is to be increased by two times the pipe diameter, rounded up to the nearest half metre. The offset is to be increased by one half the pipe diameter, rounded up to the nearest half metre.
  - 1.14.1.2.2 Water mains located at depths greater than 3.0 m will require wider URWs. The URW is to be increased in width by 1.0 m for every metre of depth in excess of 3.0 m, rounding up. The offset from edge of URW is to be increased by 0.5 m for every metre of depth in excess of 3m, rounding up.
  - 1.14.1.2.3 Water mains located in unstable soils or engineered fill require a geotechnical evaluation of the soils recommending safe cut back slopes. The URW width shall be structured to provide the following widths:
    - 1.14.1.2.3.1 The greater of 1.2 m or recommended spill pile set back;
    - 1.14.1.2.3.2 Side slope allowance for v-trench excavation;
    - 1.14.1.2.3.3 Pipe embedment zone width;
    - 1.14.1.2.3.4 Side slope allowance for v-trench excavation;
    - 1.14.1.2.3.5 The greater of 4.8 m or recommended spill pile set back; and
    - 1.14.1.2.3.6 Access of equipment in proximity to trench in accordance with the Alberta Occupational Health and Safety Code (Alberta Regulation 87/2009).
  - 1.14.1.3 Tracer wire and marker posts are required to be installed on all buried water mains outside of the road right of way, unless otherwise exempted by the Engineer. Tracer wire and marker posts must be installed as specified on the engineering drawings and provide a continuous signal path that can be used to determine pipe alignment after installation. See Drawing WA-002-012 for a typical tracer wire and marker post configuration.
  - 1.14.1.4 Sidewalks and multi-use paths may be constructed within EPCOR Water URWs, at the sole discretion of the Engineer. Trees and structures are not permitted inside a URW. A 6.0 m wide gate must be installed on all fences that cross a URW. Fencing running parallel to water infrastructure is not permitted within the URW.
  - 1.14.1.5 Restrictive covenants by means of a caveat must be registered, and shown on the engineering drawings, in the following cases:
    - 1.14.1.5.1 Construction, abandonment and/or removal of a water main will cause soil disturbance in a proposed lot; or
    - 1.14.1.5.2 Privately owned and maintained backflow prevention devices are required on multiple services to a site.

## 1.15 LID CONSTRUCTION AROUND WATER INFRASTRUCTURE

### 1.15.1 SOIL CELLS

- 1.15.1.1 A minimum of 1.5 m horizontal separation shall be maintained between the centreline of any water main, water service, or appurtenance and the outside edge of any soil cell.
- 1.15.1.2 Soils cells will only be permitted above water mains and water services with diameters less than 350 mm if all of the following conditions are met:
  - 1.15.1.2.1 The soil cell shall have a 0.3 m gap between adjacent cells at 1.5 m from the centreline of the water main per drawing WA-002-013.
  - 1.15.1.2.2 There shall be a minimum of 1.3 m vertical separation from soil cell to the top of the main/service consisting of 0.3 m compacted bedding material and a minimum of 1.0 m of native backfill compacted to 98% standard proctor;
  - 1.15.1.2.3 A consistent vertical joint in the soil cell structure must be maintained at 1.2 m horizontal separation from the water centreline. A minimum 0.3 m gap shall be provided between the edge of the soil cell over the water to the next soil cell.
  - 1.15.1.2.4 Geogrid curtains are to be installed on the outside edge of the water main trench structure. Geogrid seams are to have a minimum of 300 mm overlap between different sheets of geogrid. See Drawing WA-002-013.
  - 1.15.1.2.5 An engineered support system must be provided for all valves, chambers, vaults, hydrants, and other water appurtenances to ensure that there is no settlement and the structures remain vertical.
    - 1.15.1.2.5.1 This system must be reviewed and accepted by the Engineer prior to installation.

- 1.15.1.2.6 Trees and street furniture shall maintain the clearances specified in the City of Edmonton Design and Construction Standards Volume 1: Table of Offsets. Any items not covered explicitly within those sections shall maintain a minimum horizontal separation of 3.0m. See Section 1.15.2 for requirements for subdrains, irrigation systems, and other non-potable piped water systems.

- 1.15.1.3 No soils cells shall be permitted within 1.5 m of the outside edge of water mains 350 mm and larger.

#### 1.15.2 BIORETENTION FACILITIES

- 1.15.2.1 Bioretention facilities shall be as defined in the City of Edmonton Design and Construction Standards Volume 3: Drainage, Section 17.0 – LID Facility Design.

- 1.15.2.2 Water mains and services shall not be installed parallel to the bioretention facility alignment within 1.5 m of the edge of the bioretention facility.

- 1.15.2.2.1 All parallel mains and services are to be installed outside of the bioretention facility zone.

- 1.15.2.3 Water mains and services are to cross bioretention facilities as close to 90° as practical. Under no circumstances will a crossing angle of less than 45° be permitted.

- 1.15.2.4 The LID growing Soil Media zone shall end a minimum of 1.3 m above the water main or service. A structure of 0.3 m of compacted bedding material and a minimum of 1.0 m native backfill material compacted to 98% of standard proctor shall be installed. Insulation thickness shall be in accordance with Drawing WA-002-001.

- 1.15.2.4.1 Water services are to be encased in minimum 100 mm SDR35 PVC within the bioretention facility extents.

- 1.15.2.4.2 No surface breaking water infrastructure shall be installed within the bioretention facility extents.

- 1.15.2.5 Hydrants are to be installed on the road side of bioretention facilities.

- 1.15.2.5.1 If the bioretention facility edge is in such proximity to the edge of asphalt or back of curb that a hydrant cannot be installed, the hydrant is to be installed at 3.0 m from the edge of asphalt or back of curb.

- 1.15.2.5.2 An access pad to the hydrant shall be constructed across the bioretention facility per Drawing WA-004-005.

- 1.15.2.5.2.1 The pad shall be surfaced with sod, compacted road crush, or other material as approved by the Engineer.

- 1.15.2.5.2.2 The surface shall be a minimum of 1.5 m either side of the hydrant centreline, with a maximum cross-fall of 2% to provide drainage.

- 1.15.2.5.2.3 The pad shall extend a minimum of 1.5 m all sides of the hydrant and fully to the edge of asphalt or back of curb, as appropriate.

- 1.15.2.5.2.4 Side slopes to match the bioretention facility profile shall be a minimum of 4H:1V.

- 1.15.2.5.2.5 Culverts to permit interconnection of bioretention facilities on either side of the hydrant pad shall be installed if required by the Drainage Engineer.

- 1.15.2.5.2.6 Culverts shall maintain a minimum of 1.5 m clearance to the hydrant and its associated control valve.

- 1.15.2.5.3 Hydrant control valves are to be strapped to the hydrant tee for all installations adjacent to bioretention facilities.

- 1.15.2.5.4 Hydrant drain ports adjacent to bioretention facilities shall be plugged.

#### 1.15.3 SUBDRAINS, IRRIGATION SYSTEMS, AND OTHER NON-POTABLE PIPE SYSTEMS

- 1.15.3.1 Subdrains, irrigation system, and other non-potable pipe systems shall not be blue in colour

- 1.15.3.1.1 Purple pipe shall be permitted if the system meets the requirements of a reclaimed water system under Alberta Environment and Parks Guidelines and under the definitions of AWWA.

- 1.15.3.2 All pipe systems are to cross water mains and services as close to 90° as practical. Under no circumstances will a crossing angle of less than 45° be permitted.

- 1.15.3.2.1 No joints are to occur within 1.5 m of the crossing location. All crossings are to maintain 1.5 m from water main and water service fittings.

- 1.15.3.2.2 All crossing shall occur a minimum of 0.5 m above or 0.3 m below a water main or water service.

- 1.15.3.2.3 Any pipe system open to the air (including but not limited to culverts, catch basin leads, and outfalls) shall maintain a minimum of 1.5 m vertical separation above water mains and services and shall be insulated for a minimum of 3m either side of the crossing location. Insulation thickness shall be in accordance with Drawing WA-002-001.



- 1.15.3.2.4 No crossings of hydrant leads less than 6 m in length shall be permitted. No crossings will be permitted between a hydrant and its control valve unless the distance between the hydrant and its control valve is greater than 6 m.
- 1.15.3.2.5 No crossings of flush points, air vents, blow off hydrants, or other appurtenances shall be permitted.
- 1.15.3.3 Non-solid walled pipes such as slot pipe, perforated pipe, weeping tile, etc. shall transition to solid walled pipe for 1.5 m either side of the centreline of water mains, water services and hydrant leads greater than 6 m in length.
  - 1.15.3.3.1 The transition point shall be measured from the outside of mains 350 mm and larger in diameter.
- 1.15.3.4 All pipe systems shall maintain a minimum of 2.0 m from the outside edge of manholes, chambers, vaults, and other buried structures.

**END OF SECTION**



PROVIDING MORE

# **Construction Standards**

## **Section 2 Water Mains**

April 2021

## 2.1 GENERAL

### 2.1.1 SCOPE

2.1.1.1 This section covers material and installation requirements for water mains and associated fittings and appurtenances for the following pipe materials:

- 2.1.1.1.1 Polyvinyl Chloride (PVC);
- 2.1.1.1.2 Fusible Polyvinyl Chloride (FPVC)\*;
- 2.1.1.1.3 Polyethylene (PE)\*;
- 2.1.1.1.4 High Density Polyethylene (HDPE)\*;
- 2.1.1.1.5 Steel;
- 2.1.1.1.6 Concrete\*;<sup>and</sup>
- 2.1.1.1.7 Ductile Iron\*.

\* Note: Project specific approval is required for use of this material.

2.1.1.2 Trench and backfill shall be undertaken in accordance with the City of Edmonton Design and Construction Standards Volume 2: Roadways, Section 3.1 – Trench and Backfill.

2.1.1.3 Utility cut restoration shall be undertaken in accordance with the City of Edmonton Design and Construction Standards Volume 2: Roadways, Section 3.2 – Utility Cut Restoration.

2.1.1.4 Fillcrete backfill shall be undertaken in accordance with the City of Edmonton Design and Construction Standards Volume 2: Roadways, Section 7.11 – Fillcrete.

2.1.1.5 Pipe bedding shall be undertaken in accordance with Section 6.

### 2.1.2 PRODUCT ACCEPTANCE

2.1.2.1 All water main piping and lining shall be certified to NSF Standards 14 and 61 as acceptable for drinking water system components, whenever possible.

2.1.2.2 Products are specified to be in accordance with a recognized standard such as AWWA, CSA, ASTM or ANSI.

2.1.2.3 Determining that a product complies with a standard requires:

- 2.1.2.3.1 Certification from the supplier or manufacturer that the product does meet the standard; and/or
- 2.1.2.3.2 Testing in accordance with a recognized procedure such as the appropriate ASTM Standard.

2.1.2.4 In general EPCOR will accept certification, if available, while reserving the right to call for additional testing as necessary without incurring extra costs to EPCOR or the City.

2.1.2.5 A list of materials approved for use in the water distribution system is included in Section 11. In making this determination, EPCOR is not strictly bound by the specified standards, but instead reserves the right to exercise its judgement. Unless prior written approval is obtained from EPCOR, all material supplied shall be included on this List of Approved Materials.

2.1.2.6 Unless otherwise designated, all specification and standard references refer to the latest edition.

### 2.1.3 STANDARDS

2.1.3.1 Water mains and appurtenances shall conform to the following standards:

- 2.1.3.1.1 AWWA C104 - Cement Mortar Lining for Ductile-Iron Pipe and Fittings
- 2.1.3.1.2 AWWA C105 - Polyethylene Encasement for Ductile Iron Pipe Systems
- 2.1.3.1.3 AWWA C110 - Ductile-Iron and Gray Iron Fittings
- 2.1.3.1.4 AWWA C111 - Rubber-Gasket Joints for Ductile-Iron Pressure Pipe and Fittings
- 2.1.3.1.5 AWWA C151 - Ductile-Iron Pipe, Centrifugally Cast
- 2.1.3.1.6 AWWA C200 - Steel Water Pipe — 6 In. (150 mm) and Larger
- 2.1.3.1.7 AWWA C206 - Field Welding of Steel Water Pipe
- 2.1.3.1.8 AWWA C207 - Steel Pipe Flanges for Waterworks Service — Sizes 4 In. Through 144 In. (100 mm Through 3,600 mm)
- 2.1.3.1.9 AWWA C208 - Dimensions for Fabricated Steel Water Pipe Fittings
- 2.1.3.1.10 AWWA C209 - Cold Applied Tape Coatings for the Exterior of Special Sections, Connections, and Fittings for Steel Water Pipelines
- 2.1.3.1.11 AWWA C210 - Liquid Epoxy Coating Systems for the Interior and Exterior of Steel Water Pipelines
- 2.1.3.1.12 AWWA C213 - Fusion-Bonded Epoxy Coating for the Interior and Exterior of Steel Water Pipelines

- 2.1.3.1.13 AWWA C214 - Tape Coating Systems for Exterior of Steel Water Pipelines
  - 2.1.3.1.14 AWWA C215 - Extruded Polyolefin Coatings for the Exterior of Steel Water Pipelines
  - 2.1.3.1.15 AWWA C216 - Heat Shrinkable Cross-Linked Polyolefin Coatings for the Exterior of Special Sections, Connections, and Fittings for Steel Water Pipelines
  - 2.1.3.1.16 AWWA C217 - Petrolatum and Petroleum Wax Tape Coatings for the Exterior of Connections and Fittings for Steel Water Pipelines
  - 2.1.3.1.17 AWWA C219 - Bolted Sleeve Type Couplings for Plain End Pipe
  - 2.1.3.1.18 AWWA C301 - Pre-stressed Concrete Pressure Pipe, Steel-Cylinder Type
  - 2.1.3.1.19 AWWA C303 - Concrete Pressure Pipe, Bar-Wrapped, Steel-Cylinder Type
  - 2.1.3.1.20 AWWA C600 - Installation of Ductile-Iron Mains and Their Appurtenances
  - 2.1.3.1.21 AWWA C605 - Underground Installation of Polyvinyl Chloride (PVC) Pressure Pipe and Fittings for Water
  - 2.1.3.1.22 AWWA C606 - Grooved and Shouldered Joints
  - 2.1.3.1.23 AWWA C900 - Polyvinyl Chloride (PVC) Pressure Pipe, and Fabricated Fittings, 4 In. Through 12 In. (100 mm Through 300 mm), for Water Transmission and Distribution
  - 2.1.3.1.24 AWWA C905 - Polyvinyl Chloride (PVC) Pressure Pipe and Fabricated Fittings, 14 In. Through 48 In. (350 mm Through 1,200 mm)
  - 2.1.3.1.25 AWWA C906 – Polyethylene (PE) Pressure Pipe and Fittings, 4 In. (100 mm) Through 63 In. (1,600 mm), for Water Distribution and Transmission
  - 2.1.3.1.26 AWWA C907 - Injection-Molded Polyvinyl Chloride (PVC) Pressure Fittings, 4 In. Through 12 In. (100 mm Through 300 mm), for Water Distribution
  - 2.1.3.1.27 AWWA M9 - Manual of Water Supply Practices for Concrete Pressure Pipe
  - 2.1.3.1.28 AWWA M11 - Steel Pipe - A Guide for Design and Installation
  - 2.1.3.1.29 AWWA M23 - Manual of PVC Pipe—Design and Installation
  - 2.1.3.1.30 AWWA M55 - Manual of PE Pipe—Design and Installation
  - 2.1.3.1.31 CSA B137.0 - Definitions, General Requirements and Methods of Testing for Thermoplastic Pressure Piping
  - 2.1.3.1.32 CSA B137.3 - Rigid Polyvinylchloride (PVC) Pipe and Fittings for Pressure Applications
  - 2.1.3.1.33 CSA W47.1 - Certification of Companies for Fusion Welding of Steel
  - 2.1.3.1.34 CSA Z662 - Oil and Gas Pipeline Systems
  - 2.1.3.1.35 ANSI B16.1 – Gray Iron Pipe Flanges and Flanged Fittings
  - 2.1.3.1.36 API Standard 1104 - Welding Pipelines and Related Facilities
  - 2.1.3.1.37 ASTM A48 - Standard Specification for Gray Iron Castings
  - 2.1.3.1.38 ASTM A105 - Standard Specification for Carbon Steel Forgings for Piping Applications
  - 2.1.3.1.39 ASTM A307 - Standard Specification for Carbon Steel Bolts and Studs, 60 000 PSI Tensile Strength
  - 2.1.3.1.40 ASTM A536 - Standard Specification for Ductile Iron Castings
  - 2.1.3.1.41 ASTM C478 - Standard Specification for Precast Reinforced Concrete Manhole Sections
  - 2.1.3.1.42 ASTM D1330 - Standard Specification for Rubber Sheet Gaskets
  - 2.1.3.1.43 ASTM F477 - Standard Specification for Elastomeric Seals (Gaskets) for Joining Plastic Pipe
  - 2.1.3.1.44 ASTM F1962 - Standard Guide for Use of Maxi-Horizontal Directional Drilling for Placement of Polyethylene Pipe or Conduit Under Obstacles, Including River Crossings
  - 2.1.3.1.45 ASTM F2164 - Standard Practice for Field Leak Testing of Polyethylene (PE) Pressure Piping Systems Using Hydrostatic Pressure
  - 2.1.3.1.46 Plastics Pipe Institute Handbook of Polyethylene Pipe
  - 2.1.3.1.47 National Sanitation Foundation (NSF) Standard 14 - Plastics Piping System Components and Related Materials
  - 2.1.3.1.48 National Sanitation Foundation (NSF) Standard 61 - Drinking Water System Components - Health Effects
- 2.1.3.2 All products shall be installed strictly in accordance with the recommended installation procedures provided by the manufacturer.



## 2.1.4 QUALITY CONTROL

- 2.1.4.1 Test and inspect materials during the course of the work in accordance with Section 2.3.17.
- 2.1.4.2 Retain certified copies of in-plant quality control test data and make them available for inspection by EPCOR if requested.

## 2.2 MATERIALS

### 2.2.1 WATER MAIN PIPE

#### 2.2.1.1 Polyvinyl Chloride (PVC) Pipe

- 2.2.1.1.1 PVC water main shall have standard nominal diameters as indicated on the drawings, based on cast iron outside diameters (C.I.O.D.), unless otherwise specified.
- 2.2.1.1.2 Pipe materials and fabrication shall conform to AWWA C900 or C905, as applicable. An Affidavit of Compliance to the AWWA C900 or C905 standards must be provided to EPCOR upon request.
- 2.2.1.1.3 PVC water main 100 mm through 300 mm diameter shall conform to AWWA C900 and shall have a dimension ratio (DR) of 18, unless otherwise specified.
- 2.2.1.1.4 PVC water main greater than or equal to 350 mm in diameter shall conform to AWWA C905 and shall have a dimension ratio (DR) of 25, unless otherwise specified.
- 2.2.1.1.5 PVC water main used to convey a potable water supply must be blue. No other pipe colour may be used. Other utilities, including sewer gravity and force mains, and non-potable water mains, must use a different colour of PVC pipe.
- 2.2.1.1.6 Test PVC pipe in accordance with AWWA C900 or C905 and CSA B137.3. The manufacturer shall maintain a record of all quality control tests for a period of not less than two years and shall submit pertinent records to EPCOR upon request.
- 2.2.1.1.7 Gasket material shall be in accordance with the physical requirements specified in ASTM F477.
- 2.2.1.1.8 Joint lubricants must be certified for potable water use in accordance with National Sanitation Foundation Standard 61.
- 2.2.1.1.9 Pipe age must not exceed two years at time of installation.

#### 2.2.1.2 Polyethylene (PE) and High Density Polyethylene (HDPE) Pipe

- 2.2.1.2.1 PE / HDPE pipe shall have standard nominal diameters based on cast iron outside diameters (CIOD) unless otherwise specified. Pipe size shall be selected according to internal diameter. Project specific approval is required.
- 2.2.1.2.2 Pipe materials and fabrication shall conform to AWWA C906 for polyethylene pipe.
- 2.2.1.2.3 PE / HDPE pipe shall conform to AWWA C906 for working pressure rating as applicable and shall have a dimension ratio (DR) of 11, unless otherwise specified.
- 2.2.1.2.4 Use only suitable mechanical connections or heat fusion welding to attach all fittings.
- 2.2.1.2.5 Flanged fittings and connections are to be used on the branch side of the pipe at tees, wyes, elbows, etc.

#### 2.2.1.3 Steel Pipe

- 2.2.1.3.1 Steel water main to conform to AWWA C200.
- 2.2.1.3.2 The minimum yield strength of the steel shall be as specified, but shall not be less than 207 MPa.
- 2.2.1.3.3 Pipe materials and fabrication shall conform to AWWA C200. Documentation indicating pipe ASTM/CSA standard used, a mill certificate and an Affidavit of Compliance to the AWWA C200 standard shall be provided to EPCOR for all steel pipe supplied.
- 2.2.1.3.4 Pipe wall thickness shall be as specified, but shall not be less than 6.35 mm (¼ inch).
- 2.2.1.3.5 Bevel ends of pipe for field butt welding, unless specified otherwise on the drawings or in the special provisions. Bevel ends to an angle of 30° from a line drawn at right angles to the axis of the pipe, with a tolerance of +5° to -0°. The root face for butt welding shall be 1.6 mm ± 0.8 mm (1/16 in ± 1/32 in).
- 2.2.1.3.6 Use couplings only where designated on the drawings. Couplings must be restrained or have poured in place concrete thrust blocks as determined by the Engineer. All coupling locations to be as-built.
- 2.2.1.3.7 Random pipe lengths may be supplied unless otherwise specified on the drawings or in the special provisions.
  - 2.2.1.3.7.1 Random pipe lengths must have an average length of at least 8.84 m (29 ft.) and have a minimum length of 6.1 m (20 ft.).

- 2.2.1.3.7.2 Pipe lengths containing girth welds shall not be permitted without written authorization from EPCOR.
- 2.2.1.3.8 End welding of longitudinal seams shall be done with automatic submerged-arc welding or automatic shielded-arc welding.
  - 2.2.1.3.8.1 Alternatively, end welding may be done manually by a qualified welder within Alberta with prior written approval from EPCOR.
  - 2.2.1.3.8.2 Manual welding of special sections and fittings is only permitted when it is impractical to use an automated welding machine.
- 2.2.1.3.9 Each length of pipe shall be hydrostatically tested by the manufacturer to a test pressure not less than that determined by the following formula:

$$P = \frac{2St}{D}$$

Where:

P = minimum hydrostatic test pressure (kPa)

S = stress in pipe wall during hydrostatic test (kPa), which shall be 0.75 times the specified yield point of the steel used, unless otherwise specified

t = wall thickness (mm)

D = outside diameter (mm)

Other requirements for hydrostatic testing shall conform to AWWA C200.

- 2.2.1.3.10 Unless otherwise specified on the drawings, coat and line pipe in accordance with Section 2.2.3.
  - 2.2.1.3.10.1 Load and handle steel pipe prior to coating and lining in accordance with AWWA C200.
  - 2.2.1.3.10.2 In order to prevent damage to the coating and lining after they have been applied, follow the storage and handling procedures outlined below:
    - 2.2.1.3.10.2.1 Handle sections with double belt slings or other suitable devices that provide uniform bearing and avoid metal bearing contact with the pipe;
    - 2.2.1.3.10.2.2 The width of belts or other handling devices shall be adequate to prevent damage to the pipe coating;
    - 2.2.1.3.10.2.3 Lower pipes carefully into position and do not drag them along the ground; and
    - 2.2.1.3.10.2.4 Place pipes that are to be temporarily strung along the trench on suitable padded supports.
  - 2.2.1.3.11 Each pipe shall be marked to identify the manufacturer and shipment number.
  - 2.2.1.3.12 Manual welding of girth seams on straight pipe sections will not be permitted.
  - 2.2.1.3.13 Drawings and calculations in accordance with Sections 4.3 – Drawings and 4.4 – Calculations, of AWWA C200 are not required.
  - 2.2.1.3.14 EPCOR may retain the services of a Third Party to conduct inspections at the manufacturer's plant in accordance with Section 5.1 – Inspection, of AWWA C200.
- 2.2.1.4 Concrete Steel Cylinder Pipe
  - 2.2.1.4.1 Use concrete water pipe in accordance with AWWA C301, AWWA C303, or as specified on the drawings.
  - 2.2.1.4.2 The minimum operating pressure shall be 690 kPa plus a 350 kPa allowance for transient over-pressure, unless otherwise noted on the drawings.
  - 2.2.1.4.3 Use push-on bell and spigot joints with single rubber-gaskets, unless otherwise specified on the drawings.
  - 2.2.1.4.4 Supply the following:
    - 2.2.1.4.4.1 Detailed shop drawings and layout schedules;
    - 2.2.1.4.4.2 Details of all non-standard and standard fittings;
    - 2.2.1.4.4.3 Manufacturer's design calculations, including all assumptions; and
    - 2.2.1.4.4.4 An Affidavit of Compliance to AWWA C301 or AWWA C303.
  - 2.2.1.4.5 Steel connections shall be lined and coated with cement mortar.
  - 2.2.1.4.6 Use sulphate-resistant Type HS cement unless official geotechnical report advises otherwise.
  - 2.2.1.4.7 The use of concrete admixtures will not be permitted.
  - 2.2.1.4.8 The use of retarders in cement-slurries will not be permitted.

#### 2.2.1.5 Ductile Iron (DI) Pipe

- 2.2.1.5.1 The use of ductile iron pipe requires prior approval from EPCOR.
- 2.2.1.5.2 Pipe materials and manufacture shall conform to AWWA C151 and ASTM A536.
- 2.2.1.5.3 Use the class and wall thickness specified on the drawings.
- 2.2.1.5.4 Use single rubber-gasket push-on joints in accordance with AWWA C111.
- 2.2.1.5.5 The use of mechanical joints requires prior approval from EPCOR.
- 2.2.1.5.6 Minimum operating pressure shall be 1035 kPa.

#### 2.2.2 PIPE JOINT LUBRICANTS

##### 2.2.2.1 Joint lubricants must be certified for potable water use in accordance with NSF Standard 61 and must:

- 2.2.2.1.1 Impart no taste or odour to potable water containing free or combined chlorine disinfectants;
- 2.2.2.1.2 Create no turbidity in potable water;
- 2.2.2.1.3 Promote no bacterial growth; and
- 2.2.2.1.4 Be compatible with rubber and neoprene gasket materials.

#### 2.2.3 WATER MAIN LININGS AND COATINGS

##### 2.2.3.1 General

###### 2.2.3.1.1 This section applies to coatings and linings for steel and ductile iron pipe which are defined as follows:

- 2.2.3.1.1.1 Lining: a protective layer of material applied to the interior of products, in contact with the water being conveyed.
- 2.2.3.1.1.2 Coating: a protective layer of material applied to the exterior of pipe, fittings, valves, hydrants or other products, which is normally used for surfaces in contact with soil or pipe bedding material.

##### 2.2.3.2 Cement Mortar Lining

- 2.2.3.2.1 Use for ductile iron pipe only;
- 2.2.3.2.2 Conform to AWWA C104 for ductile iron pipe; and
- 2.2.3.2.3 Provide double thickness lining with standard seal coat.

##### 2.2.3.3 Polyethylene Coating

- 2.2.3.3.1 Use for steel and ductile iron pipe and fittings;
- 2.2.3.3.2 Polyethylene coatings to be Shaw Pipe Protection Ltd.'s Yellow Jacket No. 1 or an approved equivalent; and
- 2.2.3.3.3 Provide polyethylene heat shrink sleeves for joints, Shaw Pipe Protection Ltd.'s Canusa or an approved equivalent.

##### 2.2.3.4 Cold Applied Tape Coating

- 2.2.3.4.1 Use where specifically designated on the drawings for steel and ductile iron specials, joints and repairs; and
- 2.2.3.4.2 Conform to AWWA C209 or AWWA C217 for hand-applied tape or AWWA C214 for shop-applied tape.

##### 2.2.3.5 Epoxy Coating and Lining

- 2.2.3.5.1 Use for cast iron, ductile iron and steel pipes and fittings;
- 2.2.3.5.2 Coating to conform to AWWA C210 or AWWA C213;
- 2.2.3.5.3 Lining to conform to AWWA C210 (non-coal tar); and
- 2.2.3.5.4 All linings to be certified to NSF Standard 61 for potable water.

##### 2.2.3.6 Specified Plant Coating and Lining

- 2.2.3.6.1 Where a special coating or lining is not specified in this section obtain the approval of EPCOR before ordering the pipe.

##### 2.2.3.7 Heat-Shrinkable Coating

- 2.2.3.7.1 Shall conform to AWWA C216.

#### 2.2.4 FITTINGS

##### 2.2.4.1 PVC Injection-Moulded and Fabricated Fittings

- 2.2.4.1.1 Use with PVC or ductile iron pipe.
- 2.2.4.1.2 Injection moulded fittings to conform to AWWA C907 for C.I.O.D. pipe.

- 2.2.4.1.3 Fabricated fittings to conform to CSA B137.3.
- 2.2.4.1.4 Use "push-on" type ends complete with one gasket for each bell.
- 2.2.4.1.5 Use "push-on" type ends complete with one gasket for each bell.

#### 2.2.4.2 Cast Iron Fittings

- 2.2.4.2.1 Use with PVC or ductile iron pipe.
- 2.2.4.2.2 Conform to ASTM A48, Class 30B.
- 2.2.4.2.3 Conform to AWWA C110, minimum 1720 kPa working pressure. Laying lengths as per AWWA C110.
- 2.2.4.2.4 Castings to have no cracks, gas holes or flaws. Surfaces shall be reasonably smooth with no burnt on sand. Casting runners, risers and fins shall be removed.
- 2.2.4.2.5 Castings shall be true to pattern, and within industry standard dimensional tolerances with no excessive shrinkage or deformity.
- 2.2.4.2.6 Use single rubber gasket push-on joints, in accordance with AWWA C111. The use of mechanical joints requires prior approval from EPCOR.
- 2.2.4.2.7 Each fitting must have a pair of 25 mm lugs cast into each bell end.

#### 2.2.4.3 Steel Fittings

- 2.2.4.3.1 Use with PVC pipe, steel pipe or concrete pressure pipe.
- 2.2.4.3.2 Shop fabricated and standard fittings may be used.
- 2.2.4.3.3 Fittings for steel pipe, to conform to AWWA C200 and AWWA C208, minimum working pressure 1035 kPa, minimum 207 MPa yield point strength.
- 2.2.4.3.4 For concrete pressure pipe, fittings to conform to AWWA C200, working pressure to 1035 kPa, dimensions to be as shown on the drawings.
- 2.2.4.3.5 Use for pipes with diameters equal to or greater than 100 mm.
- 2.2.4.3.6 Ends shall be as shown on the drawings.
- 2.2.4.3.7 Use slip-on flanges of forged steel, in accordance with AWWA C207, Class D, flat faced or weld-neck flanges to ANSI B16.1, class 125.
- 2.2.4.3.8 Use stainless steel (Type 304) double threaded studs, with 2 nuts, treated to prevent binding.
- 2.2.4.3.9 Use full-faced rubber gaskets for 1035 kPa working pressure.
- 2.2.4.3.10 Use weldolets and threadolets of forged steel in accordance with ASTM A105.
- 2.2.4.3.11 Welding of shop fabricated fittings to conform to CSA Z662.
- 2.2.4.3.12 Submit manufacturers design calculations including all assumptions.

#### 2.2.4.4 Concrete, Steel Cylinder Fittings

- 2.2.4.4.1 Use fittings conforming to AWWA C301 for pre-stressed concrete steel cylinder pressure pipe.
- 2.2.4.4.2 Use fittings conforming to AWWA C303, for bar-wrapped, steel cylinder pressure pipe.
- 2.2.4.4.3 Use push-on, bell and spigot joints with single rubber-gaskets.
- 2.2.4.4.4 Use other joint types only where specially designated on the drawings.
- 2.2.4.4.5 Supply detailed shop drawings and layout schedules.
- 2.2.4.4.6 Supply Affidavit of Compliance to AWWA C301 or AWWA C303.
- 2.2.4.4.7 Cement to be sulphate-resistant Type HS unless official geotechnical report advises otherwise.
- 2.2.4.4.8 Submit manufacturer's design calculations including all assumptions.
- 2.2.4.4.9 Steel connections shall be lined and coated with cement mortar.
- 2.2.4.4.10 Submit details of all specials and fittings.
- 2.2.4.4.11 The use of concrete admixtures will not be permitted.
- 2.2.4.4.12 The use of retarders in cement-slurries shall not be permitted.
- 2.2.4.4.13 For use with concrete pressure pipe, steel cylinder type.

### 2.2.5 COUPLINGS AND SPECIAL FITTINGS

#### 2.2.5.1 PVC Couplings

- 2.2.5.1.1 Conform to AWWA C900 or AWWA C907 for cast iron outside diameter (CIOD) pipe.
- 2.2.5.1.2 "Push-on" type ends complete with two gaskets per coupling.

#### 2.2.5.2 Bolted-Sleeve Couplings

- 2.2.5.2.1 Do not use unless specifically identified on drawings.
- 2.2.5.2.2 Conform to AWWA C219, or as specified in the approved list of materials.
- 2.2.5.2.3 Bodies to be ductile iron or carbon steel. Carbon steel bodies shall be provided for all couplings whose nominal diameter is greater than 300 mm.
- 2.2.5.2.4 Bodies shall have fusion-bonded epoxy coating to either AWWA C213 or AWWA C550.
- 2.2.5.2.5 Unless otherwise specified nuts and bolts to be Type 304 stainless steel with threads treated to prevent binding.
- 2.2.5.2.6 Suitable for use with a 1035 kPa (150 psi) working pressure. Centre sleeve or body shall have a minimum thickness of 6 mm (1/4").
- 2.2.5.2.7 Linings to be in accordance with AWWA C210, AWWA C213 or AWWA C550. For linings to AWWA C210 or AWWA C213, certification shall be provided to confirm suitability for use in potable water service.
- 2.2.5.2.8 See Section 3.12.2.4 of couplings in chambers.

#### 2.2.5.3 Flange Adapters

- 2.2.5.3.1 Do not use unless specifically identified on the drawings
- 2.2.5.3.2 Conform to AWWA C219.
- 2.2.5.3.3 Bodies to be ductile iron or carbon steel with bonded epoxy coating to AWWA C210, AWWA C213 or AWWA C550.
- 2.2.5.3.4 Flanges are to be in accordance with AWWA C207, Class D, unless otherwise specified.
- 2.2.5.3.5 Nuts and bolts to be stainless steel, Type 304, with threads treated to prevent binding.
- 2.2.5.3.6 Suitable for use with a 1035 kPa (150 psi) working pressure.
- 2.2.5.3.7 Linings to be in accordance with AWWA C210, AWWA C213 or AWWA C550. For linings to AWWA C210 or AWWA C213, certification shall be provided to confirm suitability for use with potable water.
- 2.2.5.3.8 See Section 3.12.2.4 for use of flange adapters in chambers.

#### 2.2.5.4 Couplings for Grooved and Shouldered Joints

- 2.2.5.4.1 Do not use unless specifically identified on drawings.
- 2.2.5.4.2 Conform to AWWA C606.
- 2.2.5.4.3 Suitable for use with a 1035 kPa (150 psi) working pressure.
- 2.2.5.4.4 Bodies to have fusion bonded epoxy coating to AWWA C210, AWWA C213 or AWWA C550.
- 2.2.5.4.5 Linings to be in accordance with AWWA C210, AWWA C213 or AWWA C550. For linings to AWWA C210 or AWWA C213, certification shall be provided to confirm suitability for use with potable water.

### 2.2.6 TAPPING SLEEVES

#### 2.2.6.1 For all types of pipe except concrete cylinder pipe:

- 2.2.6.1.1 Outlet flange to AWWA C207, Class D.
- 2.2.6.1.2 Carbon steel body with fusion bonded epoxy coating or Type 304 stainless steel.
- 2.2.6.1.3 Nuts and bolts to be Type 304 stainless steel treated to prevent binding.
- 2.2.6.1.4 Gaskets to be of synthetic rubber suitable for potable water.
- 2.2.6.1.5 Include a 20 mm NPT test plug for pressure testing of sleeve and tapping valve.

#### 2.2.6.2 For concrete cylinder pipe:

- 2.2.6.2.1 Separate body and tapping gland.
- 2.2.6.2.2 Outlet flange to AWWA C207, Class D.
- 2.2.6.2.3 In accordance with AWWA Manual M9.
- 2.2.6.2.4 Body and tapping gland to be fusion epoxy coated to AWWA C213.
- 2.2.6.2.5 Seals and grout horn to be provided to facilitate filling the space between the sleeve and the pipe.
- 2.2.6.2.6 Tapping gland to have a gusseted pressure plate.
- 2.2.6.2.7 Tapping gland to have a minimum of 3 load-bearing set screws for tightening the gland to the sleeve.
- 2.2.6.2.8 Provide a broad cross section gasket (minimum 22 mm width) for sealing the tapping gland to the steel cylinder.
- 2.2.6.2.9 Include a 20 mm NPT test plug for pressure testing of sleeve and tapping valve.

## 2.2.7 INSULATION AND WATER PROOFING

- 2.2.7.1 Any insulation/water proofing that is used must be manufactured using a process that does not utilize ozone-depleting chemicals in any way.
- 2.2.7.2 For insulating pipes, use DOW HI-40 Styrofoam or similar approved board as shown on Drawing WA-002-001.
- 2.2.7.3 For insulating structures use DOW HI-40 Styrofoam, or similar approved board, or Urecon sprayed-in-place Portafoam Polyurethane with Insul-Mastic I-M7505 heavy-duty roof coating.
- 2.2.7.4 For water proofing use Urecon sprayed-in-place Portafoam Polyurethane with Insul-Mastic I-M7505 heavy-duty roof coating.

## 2.2.8 VALVE CHAMBERS AND BLOW-OFFS

### 2.2.8.1 Mainline Valve Chambers

- 2.2.8.1.1 Provide a pre-cast or cast-in-place reinforced concrete structure in accordance with Section 13 and Water Drawings WA-003-003 and WA-003-010.
- 2.2.8.1.2 Provide a removable slab top roof.
- 2.2.8.1.3 Provide a 300 mm vertical separation between the chamber floor and all pipeline drain flanges.
- 2.2.8.1.4 Provide screw type valve casings for the mainline and pipeline drain valves.

### 2.2.8.2 Air Valve Chambers

- 2.2.8.2.1 Use 1800 mm diameter precast concrete manhole barrels to ASTM C478 for water mains up to 900 mm diameter. Installation is to conform to Drawings WA-003-012 and WA-003-013.
- 2.2.8.2.2 For larger diameter water mains, use precast or cast-in-place concrete chambers.

### 2.2.8.3 Blow-Offs

- 2.2.8.3.1 Provide blow off hydrants or chambers as specified on the engineering drawings or in accordance with detail drawings WA-002-005, or WA-002-006.

## 2.2.9 PIPE CASING

### 2.2.9.1 Steel pipe casing:

- 2.2.9.1.1 Conform to the requirements of AWWA C200, minimum tensile strength 207 MPa.
- 2.2.9.1.2 Wall thickness to be as specified on the engineering drawings.

### 2.2.9.2 PVC pipe casing:

- 2.2.9.2.1 To conform to the requirements of the City of Edmonton Design and Construction Standards Volume 3: Drainage, Section 02535 – Sewers, Subsection 2.2 – Plastic Pipe.
- 2.2.9.2.2 Inside diameter of casing must be at least 50 mm greater than maximum outside diameter of carrier pipe bell and insulator runners.

2.2.9.3 Use plastic/polyethylene carrier pipe insulators or approved equal.

2.2.9.4 See Drawing WA-002-011 for a typical pipe-in-casing configuration.

## 2.2.10 EXPANSION JOINTS

- 2.2.10.1 For use with steel pipe only.
- 2.2.10.2 Slip-type made of carbon steel.
- 2.2.10.3 Packing gland to consist of 5 rings of rubber and 4 rings of jute or an approved equal.
- 2.2.10.4 Stainless steel or chrome plated slip-pipe.

## 2.2.11 FLANGED PIPE GASKETS

- 2.2.11.1 Use for steel pipe flanges and steel, cast iron or ductile iron fitting flange
- 2.2.11.2 Use rubber sheet gaskets, 3.2 mm (1/8") thick, conforming to ASTM D1330, Grade I.
- 2.2.11.3 Gasket material to be natural or SBR type rubber.

## 2.2.12 CLAMPS, ANCHORS AND JOINT HARNESSES

- 2.2.12.1 Do not use unless specifically identified on drawings.
- 2.2.12.2 Joint Harness, for pipe fittings 150 mm to 600 mm, to consist of:
  - 2.2.12.2.1 A socket clamp and washers;
  - 2.2.12.2.2 A yoke; and
  - 2.2.12.2.3 Straight stainless steel tie rods.

- 2.2.12.3 Joint Harness for 150 mm to 600 mm pipe only or for pipe and fittings without lugs, provide:
  - 2.2.12.3.1 Two socket clamps and washers; and
  - 2.2.12.3.2 Straight stainless steel tie rods.
- 2.2.12.4 For long sets provide approved tie rod couplers.
- 2.2.12.5 For concrete, steel cylinder type pipe, use bell bolt joints or welded joints on either side of fittings or at valve chambers.

## **2.3 EXECUTION**

### **2.3.1 MANUFACTURER'S RECOMMENDATIONS**

- 2.3.1.1 The manufacturer's recommended installation procedure is to be obtained and followed for all materials installed. In the case of discrepancy between the manufacturer's requirements and these specifications, advise EPCOR and request instruction before proceeding.

### **2.3.2 INSPECTION OF MATERIAL BEFORE INSTALLATION**

#### **2.3.2.1 Receiving material**

- 2.3.2.1.1 Before unloading, inspect the general condition of load for adequacy of packing and bracing, any signs of shifting and any signs of damage to materials.
- 2.3.2.1.2 Where the load has shifted badly and material appears significantly damaged, reject the entire load.
- 2.3.2.1.3 While unloading check each piece of pipe and/or each fitting for:
  - 2.3.2.1.3.1 The required manufacturers markings;
  - 2.3.2.1.3.2 The mark of the manufacturers testing agency;
  - 2.3.2.1.3.3 Damage to joint ends or surfaces;
  - 2.3.2.1.3.4 Damage to coating or lining; and
  - 2.3.2.1.3.5 Other visually apparent damage.
- 2.3.2.1.4 For steel pipe and fittings, provide 100% coverage of coated surfaces with an approved Holiday detector to detect damage and defects before stockpiling or stringing steel pipe.
- 2.3.2.1.5 If EPCOR is supplying the materials, note all damage and defects in writing and submit a copy of the receiving inspection report to EPCOR. Rejected pipe will be replaced by EPCOR or EPCOR's supplier. However, unless the piece is rejected entirely, damage and defects discovered at the time of receiving shall be repaired by the Contractor. All materials, once accepted by the Contractor, become the responsibility of the Contractor until EPCOR accepts the installation.
- 2.3.2.1.6 If the Contractor is supplying the materials, submit a receiving inspection report as noted in Clause 2.3.2.1.5. Repair damages or defects and replace rejects.
- 2.3.2.1.7 Maintain a continuous file of all receiving inspection reports at the job site, to be accessible for review by the EPCOR.
- 2.3.2.1.8 The Contractor is responsible for the safe storage of pipe after delivery and before installation and for handling and transportation between the storage site and the final location.

#### **2.3.2.2 Installing material**

- 2.3.2.2.1 Visually inspect joint ends and surfaces for damage or defects immediately before installation. Reject and remove from site any unacceptable pipe or fittings.
- 2.3.2.2.2 For steel materials, provide 100% coverage of coatings with an approved Holiday Detector immediately before installation paying particular attention to repaired areas. Mark defective areas for further repair.
- 2.3.2.2.3 Re-check repairs to coatings with an approved Holiday Detector before laying. If necessary, reject the piece and remove it from the job site.

### **2.3.3 HANDLING PIPE AND FITTINGS**

- 2.3.3.1 String pipe and fittings along the trench in the order designated on the Construction Drawings.
- 2.3.3.2 Use proper belt slings and equipment for handling pipe and fittings at all times.
- 2.3.3.3 Support pipe and fittings in suitably shaped wooden blocks to prevent damage to the coating.
- 2.3.3.4 Keep joint ends and the inside of the pipe clean. Cover the joint ends with burlap or caps and plugs until required.
- 2.3.3.5 Inspect pipe and fittings for defects in the coating and lining before placing in the trench.
- 2.3.3.6 Repair defects in coating and lining as follows:
  - 2.3.3.6.1 Polyethylene - by priming and cold taping;

- 2.3.3.6.2 Cement mortar - by patching with mortar to AWWA C104;
- 2.3.3.6.3 Epoxy - in accordance with AWWA C210, AWWA C213 or AWWA C216; and
- 2.3.3.6.4 Others – in accordance with suppliers' instructions and applicable standards, with EPCOR approval.

#### 2.3.4 OPERATION OF BOUNDARY VALVES

- 2.3.4.1 Refer to Section 9 for guidance on operating boundary valves.
- 2.3.4.2 Review operation procedures and requirements for boundary valves with EPCOR Water Inspector at the pre-construction meeting.

#### 2.3.5 LAYING PIPE

- 2.3.5.1 Lay and join PVC pipe in accordance with AWWA Manual M23 and AWWA Standard C605.
- 2.3.5.2 Lay and join PE/HDPE pipe in accordance with Plastics Pipe Institute Handbook of Polyethylene Pipe and AWWA Manual M55. Install in accordance with the City of Edmonton Design and Construction Standards Volume 3: Drainage, Section 02531 – Sewage Force Mains, Subsection 3.3.3. Polyethylene Pipe.
- 2.3.5.3 Lay and join concrete, steel cylinder pipe in accordance with AWWA Manual M9.
- 2.3.5.4 Lay concrete, steel cylinder pipe and PVC pipe with bell ends in the direction of laying.
- 2.3.5.5 Lay and join ductile iron pipe and cast iron fittings in accordance with AWWA C600.
- 2.3.5.6 Apply pipe joint lubricant approved for potable water systems in strictly accordance with the manufacturer's recommended application procedure. Do not apply excessively.
- 2.3.5.7 Lay pipes on prepared bedding with excavated joint holes that allow the joint ends to be kept clean of soil and bedding material, to facilitate making the joint and to avoid load concentration on the bells or couplings.
  - 2.3.5.7.1 Pipe bedding shall be undertaken in accordance with Section 6.
- 2.3.5.8 Lay the pipes in lengths shorter than the standard where disturbed ground is encountered or where designated on the drawings.
- 2.3.5.9 Test bolting for mechanical joints, bolted couplings and flanges on completion using a torque wrench. Torque shall conform to recommendations of the pipe or fitting manufacturer. Bolt in sequence.
- 2.3.5.10 Cut pipes as required to install fittings, valves or hydrants. Make cuts using the recommended tools to ensure square cut and correctly beveled ends.
- 2.3.5.11 Provide a concrete thrust block at each dead end, valve, tee, bend, hydrant, reducer, transition coupling, or fitting and at any change in pipe diameter or direction. Construct concrete thrust blocks against undisturbed soil and in conformance with Drawings WA-002-002, WA-002-007, WA-002-008a, WA-002-008b, WA-002-009 and WA-004-001 or as shown on the construction drawings.
  - 2.3.5.11.1 In areas where the geotechnical report has identified soil bearing capacities of less than 72 kPa, install thrust blocks in accordance with the specific thrust block detail shown on the construction drawings.
  - 2.3.5.11.2 Oversized thrust block calculations must be submitted under seal as part of the engineering drawing submission process per Section 1.4.2.3.
- 2.3.5.12 Joint restraints may be required in conjunction with thrust blocks. Calculations must be submitted to EPCOR prior to drawing approval per Section 1.4.2.4.

#### 2.3.6 WELDING OF PIPE

- 2.3.6.1 Field welding of steel pipe and concrete cylinder pipe shall be in accordance with the following requirements:
  - 2.3.6.1.1 Call a meeting 2 weeks in advance of any welding to clarify terms of reference, welding procedures and inspection parameters.
  - 2.3.6.1.2 Perform welding using weld procedures developed in accordance with CSA Z662. Submit a copy of those welding procedures to EPCOR at least one week prior to commencing welding.
  - 2.3.6.1.3 Welders shall hold a current "Grade B Pressure Welder Certificate of Competency" issued by the Alberta Boilers Safety Association (ABSA).
  - 2.3.6.1.4 Use radiography of a welder's initial weld to confirm that the welder is capable of welding to the appropriate welding procedure.
  - 2.3.6.1.5 For cement mortar lined steel pipe, cut the lining back at the joint to the distance recommended by the manufacturer and make good with an approved mortar after welding.
  - 2.3.6.1.6 Repair welds, if allowed by the EPCOR Inspector, to CSA Z662.
  - 2.3.6.1.7 Coat welded joints in steel pipe in accordance with AWWA C209.
  - 2.3.6.1.8 Inspect and test the pipe coating with an approved high voltage Holiday Detector prior to backfill.



### 2.3.7 JOINTING PIPE

2.3.7.1 For Joints Other than Welded Joints in Steel Pipe:

2.3.7.2 Follow the manufacturer's recommended procedure and use gauges and/or other approved devices to check the joint during installation and after completion.

2.3.7.3 For Couplings:

2.3.7.3.1 Install couplings in accordance with applicable standards (e.g. AWWA C219 for Bolted Sleeve Couplings) and manufacturer's instructions or guidelines.

2.3.7.3.2 All reducer couplings and transition couplings require thrust blocks, pipe stops or restraint, as designated on drawings or as instructed by the EPCOR inspector.

2.3.7.4 For Welded Joints on Steel Pipe:

2.3.7.4.1 Make mill certificate copies available to the EPCOR at least 2 weeks in advance of any field welding.

2.3.7.4.2 Radiographic inspection of the welded joints shall be conducted. The welded joints must meet the standard of acceptability in accordance with CSA Z662. In the event that more than 10% of the joints radiographically inspected required repairs or replacements, 100% inspection of welds will be performed until a satisfactory weld production is established.

2.3.7.4.3 The radiographic interpretation of the welded joints shall be final.

2.3.7.4.4 All initial and subsequent inspection costs incurred for testing weld repairs or replacements are the responsibility of the Contractor.

2.3.7.4.5 For welded joints on steel pipe do the following additional testing, if ordered at random or based upon the X-ray or radiographic inspection data:

2.3.7.4.5.1 Select joints for coupon testing and cut eight coupons at 45° intervals from the welded joint;

2.3.7.4.5.2 Test four coupons for tensile strength, two for bending strength and one for nick-break strength. If a coupon fails any one of these tests, test the remaining coupon with that same test; and

2.3.7.4.5.3 Failure of any coupon test is cause for rejecting the weld.

2.3.7.4.6 If a weld is rejected for coupon test failure another joint made by the same welders shall be subjected to the coupon test immediately; if the second joint fails to pass the coupon test, that welder will not be allowed to continue welding on this Contract.

### 2.3.8 CONNECTING TO EXISTING MAINS

2.3.8.1 Notify the EPCOR Engineer at least 30 days before starting a connection to an existing water main.

2.3.8.1.1 Provide a written plan that:

2.3.8.1.1.1 Identifies necessary valve closures and any out of service hydrants;

2.3.8.1.1.2 Includes a contingency plan detailing steps to be taken in the event of problems occurring during the connection process;

2.3.8.1.1.3 Shows customers that will be affected by the work and how service will be maintained to those customers; and

2.3.8.1.1.4 Detail the precautions to be taken to ensure that there is no contamination of the water system.

2.3.8.1.2 Obtain approval from EPCOR to make the connection.

2.3.8.1.2.1 Note that connections to existing water mains 350 mm diameter or greater require a Shutdown Permit at least two weeks prior to the commencement of construction of the proposed connection. Coordinate with the EPCOR inspector to obtain a Shutdown Permit.

2.3.8.2 Temporary water supply (if required) must be provided by EPCOR Water Services. Temporary water (from hose hookups) is only available during the summer months (May – October) due to the risk of freezing or at the discretion of EPCOR Water Services. Temporary water is provided at the sole discretion of EPCOR Water Services.

2.3.8.3 Notify the EPCOR Water Inspector 48 hours prior to commencing construction on the connection to the existing system to confirm scheduling.

2.3.8.4 Ensure that all required equipment, tools, products, plans, procedures and manpower required to make the connection expeditiously are on the site before starting.

2.3.8.5 Shut off boundary valves in the existing water main and make the necessary cut to connect. Refer to Section 9 for guidance on operating boundary valves.

2.3.8.6 Use a tapping sleeve and valve where specifically designated to make a connection without taking the existing water main out of service. Tapping of curved pipe is not permitted.

- 2.3.8.7 Tapping of PVC pipe must be in accordance with Section 10. Tap other pipe materials generally in accordance with Section 10, and in accordance with the instructions of the tapping equipment supplier for the specific pipe material.
- 2.3.8.8 Replace the gasket in the existing pipe at the point of connection.
- 2.3.8.9 Make electrical conductivity or isolation connections, if required. Install sacrificial anodes and test leads as designated for cathodic protection, if required.
- 2.3.8.10 Install joint harness or thrust block as designated on the drawings.
- 2.3.9 SETTING FITTINGS
  - 2.3.9.1 Install fittings, at the locations designated. Support all fittings on concrete blocks, or as designated on the drawings.
  - 2.3.9.2 Provide a concrete thrust block at each dead end, valve, tee, bend, hydrant, reducer, transition coupling or fitting and at any change in pipe diameter or direction. Construct concrete thrust blocks against undisturbed soil and in conformance with Drawings WA-002-002, WA-002-007, WA-002-008a, WA-002-008b, WA-002-009 and WA-004-001 or as shown on the construction drawings.
  - 2.3.9.3 Joint restraints may be required in conjunction with thrust blocks. Calculations must be submitted to EPCOR prior to drawing approval per Section 1.4.2.4.
- 2.3.10 SETTING BLOW-OFFS
  - 2.3.10.1 Install blow-off hydrant or chamber in accordance with Drawings WA-002-005 and WA-002-006.
  - 2.3.10.2 Support all valves and fittings.
  - 2.3.10.3 Do not connect the blow-off to a sewer, submerge it in any stream or install it in any other manner that may permit back-siphonage into the distribution system.
- 2.3.11 WATER MAIN RENEWALS
  - 2.3.11.1 Maintain alignments and grades of water mains in accordance with the Design Standards and as detailed on the drawings.
  - 2.3.11.2 A Shutdown Permit is required prior to an isolation of a water main 350 mm in diameter or larger. This includes contingency planning for TVS installations or depressurizations.
    - 2.3.11.2.1 Coordinate with the Engineer at least two weeks prior to commencing construction to obtain a Shutdown Permit.
  - 2.3.11.3 When an existing water main is to be abandoned and:
    - 2.3.11.3.1 It does not conflict with a new water main's horizontal alignment, it can be abandoned in-place if it is capped or sealed at each end to prevent it from allowing soil or water migration; and
    - 2.3.11.3.2 It conflicts with a new water main's horizontal alignment, the proposed abandonment method must be approved by the Engineer. Removal or grouting of the existing main may be required.
  - 2.3.11.4 Remove and dispose of asbestos cement water main in accordance with occupational health and safety and environmental requirements.
    - 2.3.11.4.1 Asbestos cement water mains located outside of road right-of-way must be removed.
  - 2.3.11.5 Ask EPCOR Water Services Distribution Operations to carry out a pre-construction inspection in order to identify work required to isolate the site and rectify all service line deficiencies.
    - 2.3.11.5.1 Any repair work identified during this inspection is not normally shown on the drawings and, if required, will be covered by change orders.
    - 2.3.11.5.2 The inspection request must be made at least one week prior to the intended construction start-up.
  - 2.3.11.6 Prior to any construction activities, the Contractor shall provide written notification to every customer who will be directly affected, at least one week in advance of construction.
    - 2.3.11.6.1 Two weeks' notice will be required for any commercial, industrial, or public building, unless otherwise directed by EPCOR.
  - 2.3.11.7 Should it be necessary to interrupt water service to any customer for a short period during the course of construction, the Contractor shall give at least 24 hours written notice of the intended service interruption to all affected customers.
  - 2.3.11.8 All planned temporary service interruptions shall not exceed 8 hours in duration and must be completed by EPCOR Water Services.
  - 2.3.11.9 All customers impacted by planned service interruptions greater than 8 hours or that require depressurization shall be provided with a temporary water supply.

- 2.3.11.10 It is the Contractor's responsibility to identify any obvious non-interruptible customers (hospitals, restaurants, day care centres, schools, businesses that rely on process water, etc.) that may be impacted by a planned temporary shut-down.
  - 2.3.11.10.1 These customers shall be provided with temporary water supply at the beginning of the construction project.
- 2.3.11.11 Piping for temporary services shall conform to NSF Standard 14 for potable water use and consist of a temporary main (header) having a diameter not less than 40 mm and laterals not less than 13 mm in diameter.
  - 2.3.11.11.1 Existing 40 mm to 50 mm services will require at least two laterals and 100 mm to 200 mm services will require two 40 mm laterals.
- 2.3.11.12 Prior to setting up temporary service piping the contractor shall request (minimum of 1 week notice) to have the hydrant checked by EPCOR to confirm it is in good operating condition.
  - 2.3.11.12.1 The Contractor will be responsible for any subsequent damage resulting from improper operation of the hydrant until temporary services are removed.
  - 2.3.11.12.2 The contractor must notify EPCOR Water Distribution Operations after removing temporary piping for inspection of the hydrant.
- 2.3.11.13 The contractor is responsible for metering all temporary water use on each project.
  - 2.3.11.13.1 Approved meters are available from EPCOR Water Services.
  - 2.3.11.13.2 Meters must not be installed directly on the hydrant nozzles and appropriate back flow preventers must be used.
  - 2.3.11.13.3 The Contractor must ensure their backflow preventers are tested and certified annually.
  - 2.3.11.13.4 Copies of the annual certifications must be provided to EPCOR.
- 2.3.11.14 If a temporary shutdown is required, orange hydrant disks must be installed on all hydrants rendered out of service by the shutdown.
  - 2.3.11.14.1 Once the shutdown is completed, the disks must be removed.
  - 2.3.11.14.2 Out of service hydrants must be reported to EPCOR's construction inspector.
- 2.3.11.15 Isolate the site prior to construction.
  - 2.3.11.15.1 Replace all boundary valves identified during the pre-construction inspection as faulty, i.e. not operable or not providing a tight shut off.
  - 2.3.11.15.2 If a valve cannot be repaired prior to construction, the planned temporary shut-down may need to be extended to the next available boundary valves.
    - 2.3.11.15.2.1 The Contractor is responsible for identifying any customers impacted by this extension and providing adequate notification or temporary water supplies if required.
- 2.3.11.16 Replace faulty service valves.
  - 2.3.11.16.1 Replace all service valves, main stops and service piping for services where the distance from the water main to the property line is less than 1.5 m.
  - 2.3.11.16.2 Replace services with approved water service materials, from the main to the property line, including service valves.
- 2.3.11.17 Refer to Section 8 for guidance on accepting testing for water mains.
- 2.3.11.18 A disturbed soil caveat must be registered on title for those lots where a water main is installed, abandoned in place, or removed from within the lot or adjacent walkway, lane, or public utility lot.
- 2.3.11.19 Upon the completion and passing of the hydrostatic testing, new water mains are required to have bacteriological sampling and taste and odour testing completed per Section 8.
  - 2.3.11.19.1 These results of these tests indicating a pass must be completed prior to placing the new water main into service.

## 2.3.12 PIPE CASINGS

- 2.3.12.1 Install casings by open trench, augering, or other trenchless installation method in conformance with the City of Edmonton Design and Construction Standards Volume 2: Roadways, Section 3.1 – Trench and Backfill.
- 2.3.12.2 Alignment and grade tolerances shall conform to Section 2.3.15.
- 2.3.12.3 Install PVC casings to the bedding and backfill requirements for PVC sewers in accordance with the City of Edmonton Design and Construction Standards Volume 2: Roadways, Section 3.1 – Trench and Backfill.
  - 2.3.12.3.1 Install other casings to the same bedding and backfill specifications required for water mains of the same material as the casing.

- 2.3.12.4 Securely strap 6 mil minimum polyethylene sheeting to carrier and casing pipe at both ends of casing, or install approved purpose made casing boot.
- 2.3.12.5 Do not grout the annular space between the carrier pipe and casing.
- 2.3.13 INSULATION
  - 2.3.13.1 Install insulation in accordance with manufacturer's recommended installation procedures and as shown on the drawings. Refer to Detail WA-002-001.
- 2.3.14 VALVE AND BLOW OFF CHAMBERS
  - 2.3.14.1 Waterproof chamber using materials and methods approved by EPCOR.
  - 2.3.14.2 Position the appurtenances on the pipe to provide sufficient room for removal of the coupling.
  - 2.3.14.3 Provide ventilation piping for the automatic air valve at locations where the groundwater elevation is expected to be above the elevation of the air valve.
  - 2.3.14.4 Install manual air vents in accordance with Details WA-003-014 to WA-003-018.
- 2.3.15 ALIGNMENT AND GRADE
  - 2.3.15.1 Install the pipe to the line and grade designated and check by means of a laser or off-set line and batter boards.
  - 2.3.15.2 Use a procedure for checking the alignment and grade of the trench, installed pipe and fittings, so that specified tolerances and joint deflections are not exceeded.
    - 2.3.15.2.1 The Engineer will check alignment and grade at his or her discretion.
    - 2.3.15.2.2 Supply grade sheets for the Engineer to check.
  - 2.3.15.3 Upon inspection, EPCOR may order completed pipe, fittings, valves or hydrants to be removed and reinstalled because of unacceptable deviations from specified line and grade.
    - 2.3.15.3.1 The cost of repairs or consequent damage attributable to excessive deviations is the responsibility of the Contractor.
  - 2.3.15.4 Use a detailed layout as outlined in the City of Edmonton Design and Construction Standards Volume 1: General, Chapter 11 – Construction Facilities, Section 8 – Survey.
  - 2.3.15.5 For water main renewals, see Section 1.1.1.
  - 2.3.15.6 Unless otherwise marked on the drawings, install the water main according to the depths specified in the Design Standards.
  - 2.3.15.7 Obtain prior written direction from EPCOR for insulation requirements for water mains and water services if the water main cannot be installed at the specified depth.
  - 2.3.15.8 Lay out the location of and install all fittings, valves, hydrants and other appurtenances as identified on the drawings.
  - 2.3.15.9 Deflection at any joint shall not exceed the manufacturer's allowable deflection for that diameter, length of pipe and type of joint.
  - 2.3.15.10 Maximum allowable tolerances in alignment and grade are as follows:
    - 2.3.15.10.1 Grade:  $\pm 40$  mm
    - 2.3.15.10.2 Alignment:  $\pm 100$  mm
    - 2.3.15.10.3 Any horizontal alignment variation in excess of  $\pm 600$  mm will require reconstruction and the submission of a detailed written incident report.
    - 2.3.15.10.4 Alignment, grade and location of standard and non-standard fittings shall be in accordance with the drawings.
- 2.3.16 CLEANING OF WATER MAINS
  - 2.3.16.1 Securely cover exposed ends of pipe at the end of every workday.
  - 2.3.16.2 Do not stow or store materials, tools or accessories inside pipe.
  - 2.3.16.3 Sweep, swab or pig the water main to ensure dirt, debris, excess gasket lubricant and other deleterious materials are removed prior to commissioning.
  - 2.3.16.4 All construction must be carried out in clean and sanitary conditions.
- 2.3.17 INSPECTION AND TESTING
  - 2.3.17.1 Before Backfill

- 2.3.17.1.1 Before coating and backfilling over the joints, the Contractor may, for the Contractor's own assurance, carry out a low pressure air test (welded steel pipe only), a water test or any other test deemed necessary. Any such testing will be at the sole risk and cost of the Contractor.
- 2.3.17.1.2 Before backfilling over the joints do the following inspection and testing:
  - 2.3.17.1.2.1 Visual inspection of mortared joints for structural integrity and absence of cracking or spalling; and
  - 2.3.17.1.2.2 100% coverage of the joint coatings (other than mortar) with an approved Holiday Detector.
- 2.3.17.2 Hydrostatic Testing
  - 2.3.17.2.1 Hydrostatic testing shall be performed in accordance with Section 8. All documentation referenced in these guidelines is to be completed and submitted to the Engineer.
- 2.3.17.3 Deflection Testing of Flexible Water Transmission Mains
  - 2.3.17.3.1 A mandrel, as defined below, shall be pulled through flexible pipe greater than or equal to 600 mm diameter and less than 1200 mm diameter to demonstrate that the pipe deflection does not exceed the maximum allowable in the applicable AWWA Standard or Manual.
    - 2.3.17.3.1.1 If an alternative method of pipe deflection determination, such as an electronic gauging pig, is proposed by the Contractor, the inspection method must be approved by EPCOR prior to testing.
  - 2.3.17.3.2 The device shall be pulled manually through the pipe 24 hours or more after the completion of backfilling to surface for roadway subgrade, prior to the installation of main line valves and in conjunction with the closed circuit television inspection.
  - 2.3.17.3.3 The mandrel shall be cylindrical in shape and constructed with an odd number of evenly spaced arms or prongs (a minimum of 9).
    - 2.3.17.3.3.1 The minimum diameter of the circle scribed around the outside of the mandrel arms shall be equal to the allowable computed deflected internal diameter minus 1.0 mm.
    - 2.3.17.3.3.2 The contact length of the mandrel shall be measured between the points of contact on the mandrel arm or between sets of prongs. This length shall not be less than that shown in Table 2.1.

Table 2.1: Minimum contact length for mandrel testing

Nominal Pipe Diameter (mm)	Minimum Contact Length (mm)
600	500
750	600
900	750
1050	850

- 2.3.17.3.4 The mandrel shall be checked with a Go/No-Go proving ring.
  - 2.3.17.3.4.1 The proving ring shall have a diameter equal to the computed deflected diameter  $\pm$  2 mm.
  - 2.3.17.3.4.2 An acceptable mandrel shall not pass through the proving ring.
  - 2.3.17.3.4.3 The proving ring shall be fabricated from 6 mm minimum thick steel.
- 2.3.17.3.5 Any section of pipe that does not allow the mandrel to pass shall be considered to have failed the deflection test.
- 2.3.17.4 Inspection of Larger Diameter Pipes
  - 2.3.17.4.1 For pipes 1200 mm diameter or larger, assist the Engineer in performing a physical walk-through inspection to ensure all interior joints are satisfactorily completed and no visible damage to the pipe is evident.
  - 2.3.17.4.2 Vertical and horizontal measurements will be taken at mid-length of each pipe length to confirm that any pipe deflections are less than the maximum allowed by the applicable AWWA Standard.
  - 2.3.17.4.3 A report will be prepared by the Engineer describing the observed pipe condition and discussing the implications of the pipe measurements taken.
  - 2.3.17.4.4 Colour photographs will be taken by the Engineer to show general pipe condition and any abnormalities encountered.
  - 2.3.17.4.5 All confined space entry safety procedures shall be observed.
  - 2.3.17.4.6 Inspection must be carried out in clean and sanitary conditions.

2.3.17.5 Televised Inspection

- 2.3.17.5.1 Inspections must be carried out in clean and sanitary conditions.
- 2.3.17.5.2 For television inspections of pipes 600 mm to 1050 mm diameter, the television camera used shall be specifically designed and constructed for the purpose.
- 2.3.17.5.3 Lighting for the camera shall provide a clear picture of the entire periphery of the pipe.
- 2.3.17.5.4 The camera shall be operative in 100% humidity conditions.
- 2.3.17.5.5 The camera, television monitor and other components of the video system shall be capable of producing picture quality to the satisfaction of EPCOR.
  - 2.3.17.5.5.1 If unsatisfactory, equipment shall be removed and no payment will be made for that inspection.
- 2.3.17.5.6 The camera shall be moved through the main at the main's spring line in either direction at a moderate rate, stopping when necessary to permit proper documentation of the pipeline condition.
- 2.3.17.5.7 In no case will the television camera be pulled at a speed greater than 9 metres per minute.
- 2.3.17.5.8 Manual winches, power winches, television cable and powered rewinds or other devices that do not obstruct the camera view or interfere with proper documentation of the pipe conditions shall be used to move the camera through the water main.
- 2.3.17.5.9 If, during the inspection operation, the television camera will not pass through the entire section between valves, the Contractor shall set up the equipment so that the inspection can be performed from the opposite valve location.
  - 2.3.17.5.9.1 If, again, the camera fails to pass through the entire section, the inspection shall be considered complete and no additional inspection work will be required until the Contractor corrects the problem.
- 2.3.17.5.10 Suitable means of communication shall be set up between the two ends of the section being inspected to ensure good communications between members of the crew.
- 2.3.17.5.11 Measurement for location of defects shall be above ground by means of a meter device.
  - 2.3.17.5.11.1 Marking on the cable or the like, which would require interpolation will not be allowed.
  - 2.3.17.5.11.2 Accuracy of the distance meter shall be checked by use of a walking meter, roll-a-tape or other suitable device to the satisfaction of EPCOR.
- 2.3.17.5.12 Disinfect equipment shall conform to AWWA Standards and to the satisfaction of the Engineer prior to using it to inspect the water main.
- 2.3.17.5.13 Documentation of the televised inspection shall be as follows:
  - 2.3.17.5.13.1 Television Inspection Logs:
    - 2.3.17.5.13.1.1 Keep printed location records that clearly show the location of all pipe defects observed during inspection;
    - 2.3.17.5.13.1.2 Record other points of significance such as unusual conditions, broken pipe, presence of scale and corrosion and other discernible features; and
    - 2.3.17.5.13.1.3 Provide one copy of all records to EPCOR.
  - 2.3.17.5.13.2 Photographs:
    - 2.3.17.5.13.2.1 Take instant developing, standard-size or digital photographs of the television picture of problems if so requested by EPCOR.
  - 2.3.17.5.13.3 Video Recordings:
    - 2.3.17.5.13.3.1 The purpose of video recording shall be to supply a visual and audio record of problem areas of the mains that may be replayed.
    - 2.3.17.5.13.3.2 The video recording shall be of an appropriate media format.
    - 2.3.17.5.13.3.3 The practice of dubbing and mixing of video shall not be permitted.
    - 2.3.17.5.13.3.4 The Engineer will only view the original unedited tapes.
    - 2.3.17.5.13.3.5 Title to the video shall be with EPCOR and only the original (first generation) unedited video shall be forwarded to EPCOR.
    - 2.3.17.5.13.3.6 Video recording playback shall be at the same speed that it was recorded.
    - 2.3.17.5.13.3.7 Colour, slow motion or stop-motion playback features may be supplied at the option of the Contractor.
    - 2.3.17.5.13.3.8 The Contractor shall have all video and necessary playback equipment readily accessible for review by the Engineer during the project.

2.3.18 CLEAN-UP

- 2.3.18.1 Remove all surplus materials and products when the work has been installed and finished.
- 2.3.18.2 Remove all Contractor's plant, equipment and temporary facilities.
- 2.3.18.3 Provide a final grading of all bare soil and gravel surfaces.
- 2.3.18.4 Flush and sweep all pavements, sidewalks, curbs and gutters clean of dirt and debris due to construction.

2.3.19 FLUSHING AND DISINFECTING

- 2.3.19.1 Perform flushing and disinfection in accordance with Section 8.
- 2.3.19.2 Submit completed copies of documentation referenced in the guidelines.
- 2.3.19.3 Flushing and disinfection procedures are to be reviewed with the EPCOR Water Inspector at the pre-construction meeting.
- 2.3.19.4 Prior to flushing and disinfection of water mains, prepare a plan per Section 8.2.
- 2.3.19.5 Submit the plan to EPCOR with construction drawings and obtain approval prior to commencing flushing and disinfection operations.
  - 2.3.19.5.1 Obtain applicable permits.
- 2.3.19.6 At no time during flushing and disinfection operations should more than one boundary valve between the water system under construction and adjacent water systems be open.
- 2.3.19.7 Do not dispose of water containing chlorine or volatile or waste materials, such as mineral spirits and paint thinner, into any surface waterway or storm or sanitary sewer. All discharges must comply with all applicable Acts, Regulations, Bylaws and Standards.
  - 2.3.19.7.1 This requirement may be relaxed only if written approval to exceed the limit concerned, from the authority having jurisdiction over the waterway or sewer, is provided to the Engineer.

2.3.20 SAMPLING

- 2.3.20.1 Perform sampling in accordance with Section 8.
- 2.3.20.2 Assist the Inspector in taking water samples for quality control testing purposes.
- 2.3.20.3 No more than 72 hours prior to putting a newly constructed water main into service, the following water quality parameters must be measured and found to be within the limits specified in Table 2.2.

Table 2.2: Required water quality parameters for new water mains

PARAMETER	VALUE	UNIT
E.Coli (EC)	Absence	-
Total Coliform (TC)	Absence	-
Total Chlorine Residual	1.0 to 2.4	mg/L
pH	7.3 to 8.3	-
Turbidity	0 to 3.0	NTU
Colour	0 to 2.0	TCU
V.O.C.'s	< 0.010 (GCDWQ MACs for components)	mg/L
Pipe Lubricant	Negative	-
Taste and Odour	Inoffensive	-
UV Scan	Negative Vs. Plant Water	-

- 2.3.20.4 Should any of the above parameters be outside the limits shown in Table 2.2, notify EPCOR and obtain directions for remedial action.
- 2.3.20.5 If the first taste and odour sample fails, all subsequent flushing will be at the cost of the project proponent.

2.3.21 TRAINING

- 2.3.21.1 Provide training to EPCOR staff, as required, to ensure that operations and maintenance personnel are adequately prepared to operate the system as installed.
- 2.3.21.2 Training is to be provided prior to the commissioning of the project.

2.3.22 OPERATION AND MAINTENANCE MANUALS

- 2.3.22.1 Provide operation and maintenance manuals for uncommon infrastructure, and water transmission mains or appurtenances at the request of EPCOR.
- 2.3.22.2 Provide an organized compilation of operation and maintenance data including detailed technical information, documents and records describing the operation and maintenance of individual products or systems as specified:
  - 2.3.22.2.1 Gate valves and butterfly valves in chambers;
  - 2.3.22.2.2 Air and vacuum release valves;
  - 2.3.22.2.3 Cathodic protection system;
  - 2.3.22.2.4 Flushing and disinfection procedure;
  - 2.3.22.2.5 Pressure reducing valves, flow control valves and/or backflow prevention valves.
- 2.3.22.3 Assemble, coordinate, bind and index required data into the operation and maintenance manual.
- 2.3.22.4 Submit 4 copies of the complete operation and maintenance manuals to EPCOR 2 weeks prior to application for construction completion certificate for project.
- 2.3.22.5 Organize data into the same numerical order as the contract specifications.
- 2.3.22.6 For the manual, label each section with tabs protected with celluloid covers fastened to hard paper dividing sheets.
- 2.3.22.7 Type lists and notes.
- 2.3.22.8 Drawings, diagrams and manufacturers literature must be legible.
- 2.3.22.9 Binders are to be vinyl, hard covered, 3 "D" rings, sized for 215 x 280 mm loose leaf paper, with a spine pocket.
- 2.3.22.10 Identify the contents of each binder on the spine.
- 2.3.22.11 Minimum binder requirements are shown in Table 2.3.

Table 2.3: Operation and Maintenance Manual Requirements

Binder	Requirements:
1	<ul style="list-style-type: none"> <li>▫ Cover sheet containing:               <ul style="list-style-type: none"> <li>- The submission date;</li> <li>- The project title, location, project number;</li> <li>- The names and addresses of the Contractor and all subcontractors; and</li> <li>- A Table of Contents of all binders.</li> </ul> </li> <li>▫ Warranties, guarantees.</li> <li>▫ Copies of approvals and certificates.</li> <li>▫ Data as specified in individual sections of the specifications.</li> <li>▫ List of equipment including service depot.</li> <li>▫ Nameplate information including equipment number, make, size, capacity, model number and serial number.</li> <li>▫ Parts list and availability.</li> <li>▫ Installation details.</li> <li>▫ Operating instructions.</li> <li>▫ Maintenance instructions for equipment.</li> <li>▫ Maintenance instructions for finishes</li> </ul>
2	<ul style="list-style-type: none"> <li>▫ Separate and complete set of reviewed shop drawings and product data.</li> </ul>



### 2.3.23 CONSTRUCTION COMPLETION INSPECTION

- 2.3.23.1 Boundary valves must be closed and secured until new water mains are accepted. Boundary valves may be opened in accordance with Section 9 for the following construction activities:
  - 2.3.23.1.1 Filling water-mains for wet-tapping of services;
  - 2.3.23.1.2 Hydrostatic testing; and
  - 2.3.23.1.3 Disinfection and subsequent flushing.
- 2.3.23.2 Request EPCOR to make an inspection when all installations have been completed and tested satisfactorily and all cleanup has been completed. Set a time and date for the inspection.
- 2.3.23.3 Carry out the inspection. The Inspector shall make an agreed list of deficiencies and submit it to the Contractor. EPCOR shall issue a construction completion certificate if there are no deficiencies.
- 2.3.23.4 Rectify the deficiencies listed on the agreed deficiency list resulting from the inspection. Request the Inspector to make another inspection.
- 2.3.23.5 EPCOR shall issue a construction completion certificate when all deficiencies have been rectified.

### 2.3.24 PLACING WATER MAINS INTO SERVICE

- 2.3.24.1 Water mains must be commissioned as soon as reasonably possible after completion of construction. Comply with all applicable requirements of Section 8 prior to placing a water main into service.
- 2.3.24.2 Coordinate with the EPCOR inspector to obtain approval from Transmission Operations prior to the commissioning of water mains greater than 450 mm diameter.
- 2.3.24.3 Submit for approval a detailed written commissioning procedure outlining the following:
  - 2.3.24.3.1 Sequence of boundary valve operation;
  - 2.3.24.3.2 Water quality monitoring to be performed to ensure water quality in the existing water system is not adversely affected by the commissioning;
  - 2.3.24.3.3 Dechlorination of water discharges; and
  - 2.3.24.3.4 Any other activities necessary to ensure satisfactory commissioning of the water main.
- 2.3.24.4 Notify the EPCOR Inspector 24 hours in advance of putting a newly constructed water main into service.
- 2.3.24.5 Refer Section 9 for guidance on operating boundary valves.
- 2.3.24.6 Maintain a watch for the event of a break in the new main to ensure that service in the surrounding areas will not be unduly interrupted.
- 2.3.24.7 Standby and be prepared to perform any necessary sampling in the event that water quality concerns arise.

**END OF SECTION**



PROVIDING MORE

# **Construction Standards**

## **Section 3 Water Valves**

**April 2021**

### 3.1 GENERAL

#### 3.1.1 SCOPE

3.1.1.1 This section refers to:

- 3.1.1.1.1 Buried Gate valves 100 mm to 1200 mm in diameter;
- 3.1.1.1.2 Gate valves in valve chambers;
- 3.1.1.1.3 Buried Tapping valves;
- 3.1.1.1.4 Buried Butterfly valves;
- 3.1.1.1.5 Butterfly valves in chambers; and
- 3.1.1.1.6 Check valves, air relief valves, flow control valves, pressure reducing valves and backflow preventers.

#### 3.1.2 PRODUCT ACCEPTANCE

- 3.1.2.1 All water main valves shall be certified to NSF Standards 14 and 61 as acceptable for drinking water system components.
- 3.1.2.2 Products are specified to be in accordance with a recognized standard such as AWWA, CSA, ASTM or ANSI.
- 3.1.2.3 Determining that a product complies with a standard requires:
  - 3.1.2.3.1 Certification from the supplier or manufacturer to the effect that the product does meet the standard; and/or
  - 3.1.2.3.2 Testing in accordance with a recognized procedure such as the appropriate ASTM Standard.
- 3.1.2.4 In general, EPCOR will accept certification, if available, while reserving the right to call for additional testing as necessary without incurring extra costs to EPCOR or the City.
- 3.1.2.5 A list of materials approved for use in the water distribution system is included as Section 11. In making this determination, EPCOR is not strictly bound by the specified standards, but instead exercises judgement in the best interests of the City of Edmonton in conjunction with EPCOR's specific requirements. Unless prior written approval is obtained, only materials that appear on this list shall be supplied.
- 3.1.2.6 Unless otherwise designated, all specification and standard references shall refer to the latest edition.

#### 3.1.3 STANDARDS

3.1.3.1 Valves and appurtenances shall conform to the following standards:

- 3.1.3.1.1 ANSI B16.1 – Gray Iron Pipe Flanges and Flanged Fittings
- 3.1.3.1.2 ASSE 1013 – Reduced Pressure Principle Backflow Preventers and Reduced Pressure Principle Fire Protection Backflow Preventers
- 3.1.3.1.3 ASTM A48 – Standard Specification for Gray Iron Castings
- 3.1.3.1.4 ASTM A126 – Standard Specification for Gray Iron Castings for Valves, Flanges, and Pipe Fittings
- 3.1.3.1.5 ASTM A240 – Standard Specification for Chromium and Chromium-Nickel Stainless Steel Plate, Sheet, and Strip for Pressure Vessels for General Applications
- 3.1.3.1.6 ASTM A536 – Standard Specification for Ductile Iron Castings
- 3.1.3.1.7 ASTM B148 – Standard Specification for Aluminum-Bronze Sand Castings
- 3.1.3.1.8 AWWA C207 – Steel Pipe Flanges for Waterworks Service – Sizes 4 In. Through 144 In. (100 mm Through 3600 mm)
- 3.1.3.1.9 AWWA C500 – Metal Seated Gate Valves for Water Supply Service
- 3.1.3.1.10 AWWA C504 – Rubber-Seated Butterfly Valves, 3 In. (75 mm) Through 72 In. (1,800 mm)
- 3.1.3.1.11 AWWA C508 – Swing Check Valves for Waterworks Service, 2-In. Through 24-In. (50-mm through 600-mm) NPS
- 3.1.3.1.12 AWWA C509 – Resilient Seated Gate Valves for Water Supply Service
- 3.1.3.1.13 AWWA C510 – Double Check Valve Backflow Prevention Assembly
- 3.1.3.1.14 AWWA C511 – Reduced-Pressure Principle Backflow Prevention Assembly
- 3.1.3.1.15 AWWA C512 – Air Release, Air/Vacuum, and Combination Air Valves for Waterworks Service
- 3.1.3.1.16 AWWA C515 – Reduced-Wall, Resilient-Seated Gate Valves for Water Supply Service
- 3.1.3.1.17 AWWA C550 – Protective Epoxy Interior Coatings for Valves and Hydrants
- 3.1.3.1.18 CSA A23.2 – Test Methods and Standard Practices for Concrete

- 3.1.3.1.19 CSA B64 – Selection and Installation of Backflow Preventers / Maintenance and Field Testing of Backflow Preventers
- 3.1.3.1.20 AWWA Canadian Cross Connection Control Manual
- 3.1.3.1.21 National Sanitation Foundation (NSF) Standard 14 – Plastics Piping System Components and Related Materials
- 3.1.3.1.22 National Sanitation Foundation (NSF) Standard 61 – Drinking Water System Components - Health Effects
- 3.1.3.1.23 Volume 3: Drainage, Section 03310 - Concrete for Water and Drainage Structures
- 3.1.3.2 All products shall be installed in accordance with the recommended installation procedures provided by the manufacturer.

## 3.2 PRODUCTS

### 3.2.1 GATE VALVES

#### 3.2.1.1 Direct-Bury Gate Valves

- 3.2.1.1.1 Use only for pipes 100 mm to 1200 mm in diameter.
- 3.2.1.1.2 Use a valve size equal to the pipe size, or as directed on the approved construction drawings.
- 3.2.1.1.3 Sizes 100 mm to 400 mm: bell ends, single ring gasket, and push-on joints for connecting to ductile iron or PVC pipe (C.I.O.D.).
- 3.2.1.1.4 Sizes 450 mm to 1200 mm: mechanical joints (MJ), single ring gasket, for connecting to ductile iron or PVC pipe (C.I.O.D.).
- 3.2.1.1.5 Conform to AWWA C500, C509 or C515; non-rising stem.
- 3.2.1.1.6 For blow-offs, valves to be flanged to AWWA C207, Class D.
- 3.2.1.1.7 All external nuts and bolts to be Type 304 stainless steel or better.
- 3.2.1.1.8 Provide a 50 mm square operating nut; that turns clockwise to close.
- 3.2.1.1.9 Provide "O" Ring seals for the valve stem.
- 3.2.1.1.10 Valve stem is to be Type 304 stainless steel or grade B, C, D, or E bronze as per AWWA C509.
- 3.2.1.1.11 Provide Type B (Screw Type) valve casing set with plug in accordance with Drawings WA-003-001 to WA-003-005.
- 3.2.1.1.12 Provide Type B (Screw Type) middle extension for valves with depths in excess of 3.0 meters from top of operating nut to surface grade of valve box.
- 3.2.1.1.13 Castings are to have no cracks, gas holes or flaws. Surfaces shall be reasonably smooth with no burnt on sand. Casting runners, risers and fins shall be removed.
- 3.2.1.1.14 Castings shall be true to pattern, and within industry standard dimensional tolerances with no excessive shrinkage or deformity.
- 3.2.1.1.15 Gray iron castings shall conform to ASTM A48, Class 30B.
- 3.2.1.1.16 Ductile iron castings (plugs and bonnets) shall conform to ASTM A536, grade 60-40-18.

#### 3.2.1.2 Gate Valves in Chambers

- 3.2.1.2.1 Use only for valves 450 mm to 1500 mm diameter.
- 3.2.1.2.2 Match valve size to main pipe size.
- 3.2.1.2.3 Conform to AWWA C500, C509 or C515; non-rising stem, 50 mm square operating nut with hand wheel, turning clock-wise to close, horizontal setting, bevel gears and position indicator.
- 3.2.1.2.4 Flanged ends to be in accordance with AWWA C207, Class D.
- 3.2.1.2.5 Valve stem is to be Type 304 stainless steel or grade B, C, D, or E bronze as per AWWA C509.
- 3.2.1.2.6 Provide "O" Ring seals for the valve stem.
- 3.2.1.2.7 Provide a by-pass and a gate valve to equalize pressure upon opening and closing the main valve. By-pass valves shall conform to AWWA C500.
- 3.2.1.2.8 Where required, provide Type B screw type valve casing in accordance with Drawings WA-003-001 to WA-003-005.
- 3.2.1.2.9 Provide shop drawings and test data sheets.

#### 3.2.1.3 Tapping Valves

- 3.2.1.3.1 Conform to Section 3.2.1.1 or Section 3.4.1.2 depending on the application.

- 3.2.1.3.2 Inlet ends are to be in accordance with AWWA C207, Class D.
- 3.2.1.3.3 Outlet joints are to be as specified on the drawings.

### 3.2.2 BUTTERFLY VALVES

#### 3.2.2.1 Direct-Bury Butterfly Valves

- 3.2.2.1.1 Use only for valve sizes 450 mm diameter and larger.
- 3.2.2.1.2 Match valve size to main pipe size.
- 3.2.2.1.3 Short body flanged, wafer, or fully lugged conforming to AWWA C504, class 150B.
- 3.2.2.1.4 Body and disc shall be cast iron, with rubber seat or an approved equal.
- 3.2.2.1.5 Provide "O" ring shaft seals in a removable corrosion resistant recess to allow seals to be replaced without removing the valve shaft.
- 3.2.2.1.6 Provide a manual geared or travelling nut buried service actuator conforming to AWWA C504, turning clock-wise to close with the following:
  - 3.2.2.1.6.1 An actuator name plate mounted directly on the actuator indicating the actuator manufacturer, year of manufacture and model number;
  - 3.2.2.1.6.2 A 50 mm square operating nut on top of the actuator;
  - 3.2.2.1.6.3 A Type 304 stainless steel actuator input shaft; and
  - 3.2.2.1.6.4 Actuator to transmit required valve opening and closing torque at an input torque of 100 lb-ft.
  - 3.2.2.1.6.5 Actuator to be third party certified for conformance to AWWA C504.
- 3.2.2.1.7 Provide a Type B Screw Type valve casing set with a plug in accordance with Drawings WA-003-001 to WA-003-005.
- 3.2.2.1.8 Provide Type B (Screw Type) middle extension for valves with depths in excess of 3.0 meters from top of operating nut to surface grade of valve box.
- 3.2.2.1.9 Provide shop drawings of the valve and installation.

#### 3.2.2.2 Butterfly Valves in Chambers

- 3.2.2.2.1 Use only for valve sizes 450 mm diameter and larger.
- 3.2.2.2.2 Match valve size to main pipe size.
- 3.2.2.2.3 Short-body flanged or wafer type conforming to AWWA C504, class 150B.
- 3.2.2.2.4 Body and disc of cast iron, with rubber seat or an approved equivalent.
- 3.2.2.2.5 Provide "O" ring shaft seals in a removable corrosion resistant recess to allow seals to be replaced without removing the valve shaft.
- 3.2.2.2.6 Provide a manual geared or travelling nut actuator conforming to AWWA C504, 90% grease packed turning clock-wise to close, with the following:
  - 3.2.2.2.6.1 An actuator name plate mounted directly on the actuator indicating actuator manufacturer, year of manufacture and model number;
  - 3.2.2.2.6.2 A horizontal hand wheel on a 50 mm square operating nut, on the top of the actuator;
  - 3.2.2.2.6.3 A valve position indicator facing upward;
  - 3.2.2.2.6.4 A Type 304 stainless steel actuator input shaft;
  - 3.2.2.2.6.5 Actuator to transmit required valve opening and closing torque at an input torque of 100 ft-lb; and
  - 3.2.2.2.6.6 Actuator to be third party certified for conformance to AWWA C504.
- 3.2.2.2.6.7** Provide a Type B Screw Type valve casing set with a plug in accordance with Drawings WA-003-001 to WA-003-005.
- 3.2.2.2.7 Provide shop drawings and test sheets of the valve and installation.

### 3.2.3 CHECK VALVES

#### 3.2.3.1 Swing Check Valves

- 3.2.3.1.1 Do not use for pipes larger than 300 mm.
- 3.2.3.1.2 Conform to AWWA C508.
- 3.2.3.1.3 Cast iron body with bronze trimmed cast iron disc.
- 3.2.3.1.4 Flanged end to ANSI B16.1 (flat faced).
- 3.2.3.1.5 Bronze seat rings.

- 3.2.3.1.6 Valve shall have bolted cover, with an outside lever and adjustable spring assembly if designated on the drawings.
- 3.2.3.1.7 Stainless steel shaft with double "O" rings and grease fittings at each end of shaft.
- 3.2.3.1.8 Minimum 1035 kPa working pressure.
- 3.2.3.2 Slanting disc check valves
  - 3.2.3.2.1 Do not use for pipes 300 mm and under.
  - 3.2.3.2.2 Cast iron body ASTM A126 Grade B.
  - 3.2.3.2.3 Flanged ends (flat faced) to ANSI B16.1.
  - 3.2.3.2.4 Ductile iron disc to ASTM A536.
  - 3.2.3.2.5 Bronze seat ring and disc ring.
  - 3.2.3.2.6 Stainless steel pivot pins to ASTM T303.
  - 3.2.3.2.7 Stainless steel pivot pin bushing.
  - 3.2.3.2.8 Valve position indicator with micro switch and mounting bracket.
  - 3.2.3.2.9 Bottom mounted buffer for controlled closing.
  - 3.2.3.2.10 Minimum 1035 kPa working pressure.
- 3.2.3.3 Double Door Check Valves
  - 3.2.3.3.1 Cast iron body to ASTM A126.
  - 3.2.3.3.2 Gates aluminum bronze to ASTM B148 Grade B.
  - 3.2.3.3.3 Stainless steel spring – type 316.
  - 3.2.3.3.4 Stainless steel stop pin.
  - 3.2.3.3.5 Mount between ANSI 125# flanges.
  - 3.2.3.3.6 Wafer or threaded lug type.
  - 3.2.3.3.7 Valve seat Buna N.
  - 3.2.3.3.8 Minimum 1035 kPa working pressure.
- 3.2.3.4 Silent Check Valves
  - 3.2.3.4.1 Wafer style or globe type.
  - 3.2.3.4.2 Cast iron ASTM A126 Grade B body.
  - 3.2.3.4.3 Bronze trim.
  - 3.2.3.4.4 Stainless steel spring – type 316.
  - 3.2.3.4.5 Valve seat Buna N.
  - 3.2.3.4.6 Replaceable seat and plug.
  - 3.2.3.4.7 Suitable for horizontal or vertical flow.
  - 3.2.3.4.8 Mount between ANSI 125 # flanges.
  - 3.2.3.4.9 – Minimum 1035 kPa working pressure.
- 3.2.3.5 Rubber Flapper Check Valves
  - 3.2.3.5.1 Cast iron body.
  - 3.2.3.5.2 Rubber lined, Buna N flapper.
  - 3.2.3.5.3 Replaceable flapper with top cover plate.
  - 3.2.3.5.4 O-ring seating.
  - 3.2.3.5.5 Minimum 1035 kPa working pressure.

## 3.2.4 AIR VALVES

- 3.2.4.1 Automatic Air Release Valves
  - 3.2.4.1.1 Conform to AWWA C512.
  - 3.2.4.1.2 Single lever type.
  - 3.2.4.1.3 Cast iron body.
  - 3.2.4.1.4 Stainless steel float and other internal parts.
  - 3.2.4.1.5 Threaded inlet.
  - 3.2.4.1.6 Minimum 1035 kPa working pressure.

- 3.2.4.1.7 Except where specified otherwise.
- 3.2.4.2 Automatic Air and Vacuum Valves
  - 3.2.4.2.1 Conform to AWWA C512.
  - 3.2.4.2.2 Cast iron body.
  - 3.2.4.2.3 Stainless steel float, ASTM A240.
  - 3.2.4.2.4 Stainless steel guide shaft and bushing.
  - 3.2.4.2.5 Flanged inlet and outlet to ANSI B16.1 Class 125 for valves 100 mm and larger.
  - 3.2.4.2.6 Screwed inlet and outlet for valves 80 mm and smaller.
  - 3.2.4.2.7 Sizes 80 mm and smaller to be equipped with a stainless steel diffuser screen.
  - 3.2.4.2.8 Minimum 1035 kPa working pressure.
  - 3.2.4.2.9 Except where specified otherwise.
- 3.2.4.3 Automatic Combination Air Valves
  - 3.2.4.3.1 Conform to AWWA C512.
  - 3.2.4.3.2 Cast iron body, cover and lever frame.
  - 3.2.4.3.3 Stainless steel float.
  - 3.2.4.3.4 Buna N seat.
  - 3.2.4.3.5 Inlets up to 100 mm in diameter are to be threaded.
  - 3.2.4.3.6 Inlets 100 to 200 mm in diameter are to be flanged to ANSI B16.1 Class 125.
  - 3.2.4.3.7 Outlet to be plain with hood, threaded or flanged as shown.
  - 3.2.4.3.8 Single or duplex body design, as indicated on the drawings.
  - 3.2.4.3.9 Sizes 100 mm and larger to be equipped with an anti-slam device (surge check) mounted under combination air valve.
  - 3.2.4.3.10 Minimum 1035 kPa working pressure.
- 3.2.4.4 Manual Air Valves
  - 3.2.4.4.1 Use full port gate valves with non-rising stem. Use 50 mm valves unless specified otherwise.
  - 3.2.4.4.2 All stainless steel and/or bronze construction suitable for 1035 kPa operating pressure.
  - 3.2.4.4.3 Provide threaded cap or plug or blank flange on each valve.
  - 3.2.4.4.4 Refer to Drawings WA-003-014 to WA-003-018.
- 3.2.5 FLOW CONTROL VALVES
  - 3.2.5.1 Provide a diaphragm type, in globe or angle pattern.
  - 3.2.5.2 Valve body shall be cast iron, with bronze trim.
  - 3.2.5.3 The diaphragm shall be fully supported.
  - 3.2.5.4 Provide an "O" ring seat seal on main valve.
  - 3.2.5.5 Flow shall be measured by an orifice in the inlet flange, and modulation shall be achieved by a single adjustment pilot valve.
  - 3.2.5.6 Provide a strainer and needle valve on pilot inlet lines.
- 3.2.6 PRESSURE REDUCING VALVES
  - 3.2.6.1 Diaphragm type: single diaphragm for up to 200 mm valves and double diaphragm for 250 mm valves and larger.
  - 3.2.6.2 Hydraulically operated.
  - 3.2.6.3 Pilot controlled.
  - 3.2.6.4 Globe style.
  - 3.2.6.5 Flanged cast iron body to ANSI B16.1, Class 125.
  - 3.2.6.6 Type 304 stainless steel seat and stem.
- 3.2.7 BACKFLOW PREVENTERS
  - 3.2.7.1 Premises isolation backflow preventers are mandatory on all fire protection supply piping, domestic water service supply piping, and irrigation water services supply piping in commercial, industrial, and multi-residential buildings.
  - 3.2.7.2 Backflow preventers shall be selected and installed in accordance with CSA B64.10.
  - 3.2.7.3 Double check valve assemblies shall consist of two force-loaded independently acting check valves.

- 3.2.7.4 A reduced-pressure principle backflow preventer shall have an independently acting hydraulic dependent relief valve, situated in a chamber between two independently acting check valves.
  - 3.2.7.4.1 The intermediate chamber pressure shall always be lower than the supply pressure when there is a positive pressure on the supply side.
- 3.2.7.5 All internal metal parts included in the check assemblies shall be of Series 300 stainless steel, and shall not contain any dissimilar metals.
- 3.2.7.6 Elastomeric seat disc must be reversible, seat rings shall be B-61 bronze or Series 300 stainless steel, affixed to the valve bodies incorporating an "O" ring seal to facilitate ease of field removal and replacement.
- 3.2.7.7 The check assembly shall be guided at the seat ring and at the cover by replaceable non-corrosive bushings to assure positive check seating.
- 3.2.7.8 Head loss through a double check valve assembly shall not exceed that indicated in CSA B64.5.
- 3.2.7.9 Head loss through a reduced-pressure principle backflow preventer shall not exceed that indicated in CSA B64.4.
  - 3.2.7.9.1 The reduced-pressure relief port shall discharge water from the intermediate chamber as indicated in CSA B64.4.
- 3.2.7.10 Flow curves shall be documented by independent laboratory testing.
- 3.2.7.11 Valve bodies and cover shall be manufactured of ductile iron ASTM A536, Grade 65-45-12 and shall be designed to withstand a 10-1 safety factor over rated cold water working pressure.
- 3.2.7.12 Ductile iron bodies shall be flanged ANSI B16.1 Class 125 and epoxy coated internally 10-20 mils and prime coated externally.
- 3.2.7.13 The assembly shall include flanged, full port resilient wedge shut-off valves or 1/4 turn, full port, resilient seated, bronze ball shut-off valves and four vandal resistant full port ball valve test cocks.
- 3.2.7.14 Assemblies must be factory assembled and backflow tested.
- 3.2.7.15 All assemblies shall be constructed so all internal parts, including seat rings, can be serviced without removing the device from the line.
- 3.2.7.16 Assemblies shall be rated 0 to 1035 kPa.
- 3.2.7.17 Assemblies intended for cold water service shall operate between 1°C and 45°C and assemblies intended for hot water service shall operate between 1°C and 82°C.
- 3.2.7.18 Double check valve assemblies shall meet or exceed requirements of CSA B64.5, ASSE Standard 1013, AWWA Standard C510, and the AWWA Canadian Cross Connection Control Manual.
- 3.2.7.19 Reduced-pressure principle backflow preventers shall meet or exceed requirements of CSA B64.4, ASSE Standard 1013, AWWA Standard C511, and the AWWA Canadian Cross Connection Control Manual.
- 3.2.7.20 Backflow preventers used in fire systems shall also be Underwriters Laboratories of Canada (ULC) approved.

### **3.3 EXECUTION**

#### **3.3.1 INSPECTION OF MATERIAL BEFORE INSTALLATION**

- 3.3.1.1 Before unloading, inspect the general condition of load for adequacy of packing and bracing, any signs of shifting, and any signs of damage to materials.
  - 3.3.1.1.1 Where the load has shifted badly and material appears significantly damaged, reject the entire load.
- 3.3.1.2 While unloading check each valve for:
  - 3.3.1.2.1 The required manufacturer's markings;
  - 3.3.1.2.2 The mark of the manufacturer's testing agency;
  - 3.3.1.2.3 Damage to joint ends or surfaces;
  - 3.3.1.2.4 Damage to coating or lining; and
  - 3.3.1.2.5 Other visually apparent damage.
- 3.3.1.3 If EPCOR is supplying the materials, note all damage and defects in writing and submit a copy of the receiving inspection report to the EPCOR Inspector.
  - 3.3.1.3.1 EPCOR or EPCOR's supplier will replace rejected materials.
  - 3.3.1.3.2 Unless the piece is rejected entirely, damage and defects discovered at the time of receiving shall be repaired by the Contractor.
  - 3.3.1.3.3 All materials, once accepted by the Contractor, become the responsibility of the Contractor until EPCOR accepts the installation.



- 3.3.1.4 If the Contractor is supplying the materials, note all damage and defects in writing and submit a copy of the receiving inspection report to the EPCOR Inspector.
  - 3.3.1.4.1 Repair damages or defects, and replace rejects.
- 3.3.1.5 The Contractor shall maintain a continuous file of all receiving inspection reports at the job-site, accessible for review by EPCOR.
- 3.3.1.6 The Contractor is responsible for:
  - 3.3.1.6.1 The safe storage of materials after delivery and before installation; and
  - 3.3.1.6.2 Handling and transporting between the storage site and the final location.
- 3.3.1.7 Valves shall be kept drained and stored before installation in a manner protecting them from damage due to freezing of trapped water.
- 3.3.1.8 Prior to installation, valves shall be stored in a manner that protects them from damage from the environment in which they are stored.
- 3.3.1.9 Manufacturer's recommendations for valve storage shall be adhered to.
- 3.3.1.10 Visually inspect all joint ends and surfaces for damage or defects immediately before installation and reject and remove any unacceptable valves from site.

**3.3.2 SETTING VALVES**

- 3.3.2.1 Install valves at the locations designated; support all valves on concrete blocks or as designated on the approved construction drawings.
- 3.3.2.2 Construct concrete thrust blocks to be installed in conformance with Drawings WA-002-002, WA-002-007, WA-002-008a, WA-002-008b, WA-003-008 and WA-004-001 or as shown on the approved construction drawings.
  - 3.3.2.2.1 Ensure interface between concrete thrust block and pipe/fittings is constructed in accordance with the pipe/fitting's manufacturer's recommendations and requirements.
- 3.3.2.3 Install valves and valve casings in accordance with Drawings WA-003-001 to WA-003-005, WA-003-008, WA-004-001 and WA-004-003.
  - 3.3.2.3.1 Ensure that valve casing cannot transmit loading to the valve or water main.
  - 3.3.2.3.2 Install valve casing plumb.
  - 3.3.2.3.3 Do not cause valve casing to move out of plumb or out of position while placing and compacting backfill.
- 3.3.2.4 Depth of operating nut must be between 1.8 to 2.5 meters to surface grade.
  - 3.3.2.4.1 Use valve stem risers (extensions) with stone catcher flange, as required.
- 3.3.2.5 Valve casings must be set to finished grade as shown in Table 3.1.

Table 3.1: Acceptable depth of valve casing at finished grade

Location	Depth Below Finished Grade (mm)	Acceptable Depth at Final Inspection (mm)
Paved Surfaces	0 – 15	0 – 15
Sidewalks	0 – 5	0 – 5
Boulevards	5 - 10	0 – 15

- 3.3.2.6 For valves that require valve stem risers to be installed:
  - 3.3.2.6.1 Valve stem risers must be rated to 1000 lb-ft of torque (1356 Nm).
  - 3.3.2.6.2 Valve stem risers must be installed at the bottom of the casing.
  - 3.3.2.6.3 Valve stem risers must be installed to raise the overall height of the top of operating nut to greater than 2.5 m but less than 1.8 m in depth.
  - 3.3.2.6.4 Valve stem risers must be constructed out of stainless steel components.
    - 3.3.2.6.4.1 A brass or stainless steel rod for anchoring the components together must be provided.
- 3.3.2.7 For valves that are installed in concrete (e.g. sidewalks, etc.), install in accordance with Drawing WA-003-019.
- 3.3.2.8 Valve bonnets to be installed such that the top of bonnet is a minimum of 100 mm above the top of the valve nut in accordance with Drawing WA-003-007.

### 3.3.3 VALVES IN CONCRETE CHAMBERS

- 3.3.3.1 Unless cast-in-place concrete construction is specifically requested, install standard pre-cast concrete manholes or chambers as detailed on the drawings. Refer to Section 13.
- 3.3.3.2 Provide removable top slab with lifting hooks.
- 3.3.3.3 Pipe work and valves are to be anchored as shown on the drawings and supported to prevent movement due to valve closure.
- 3.3.3.4 Incorporate flexible couplings in the pipe work as designated on the drawings.
  - 3.3.3.4.1 Couplings or flange adapters to have epoxy coating and painted carbon steel nuts and bolts.
- 3.3.3.5 Waterproof exterior of chambers with XYPEX or an approved equal.
- 3.3.3.6 Insulate chambers to a minimum depth of 2.0 m below final grade using spray applied foam insulation or as indicated on the drawings.
- 3.3.3.7 The pipe shall be adequately supported within the chamber utilizing adjustable galvanized pipe supports, or as indicated on the drawings.
- 3.3.3.8 Manhole covers shall have the markings "WATER" cast into the cover for easy identification.
  - 3.3.3.8.1 Lettering shall be a minimum of 25 mm in height.

### 3.3.4 INSPECTION OF VALVE CASINGS AND SERVICE BOXES

- 3.3.4.1 Upon completion of backfill and surface restoration, check all valve casings and service boxes, to determine that they are plumb, straight, not broken and at proper grade level, and free of debris.
- 3.3.4.2 Insert a valve key to check that unobstructed connection to the operating nut can be made and that top of operating nut does not exceed 2.5 m and is not less than 1.8 m in depth.
  - 3.3.4.2.1 Operate all valves on and then off again to check for free rotation and smooth operation.
  - 3.3.4.2.2 Rectify any unacceptable aspects of the installations.
- 3.3.4.3 Install valve stoppers as specified on the approved engineering drawings.
- 3.3.4.4 Request a final inspection by EPCOR.

### 3.3.5 INSPECTION OF CONCRETE STRUCTURES

- 3.3.5.1 Refer to Section 13.
- 3.3.5.2 Request EPCOR to make inspections of the following items:
  - 3.3.5.2.1 The ground immediately before formwork or steel is placed;
  - 3.3.5.2.2 The formwork and reinforcing steel immediately before pouring concrete;
  - 3.3.5.2.3 The concrete finish before applying curing compound, sealer, or insulation; and
  - 3.3.5.2.4 The construction joints before adjacent concrete is poured.
- 3.3.5.3 Perform concrete sampling according to Section 13.
  - 3.3.5.3.1 Prepare a written report and submit a signed copy to EPCOR within 24 hours of testing the sample.
  - 3.3.5.3.2 If sampling shows the concrete does not meet the required specifications, reject the load and remove it from the site.
  - 3.3.5.3.3 If the strength of concrete test samples is below that which is specified, EPCOR may order the portion of the work represented by the sample to be removed and replaced.

### 3.3.6 INSPECTION OF PRECAST CONCRETE INSTALLATIONS

- 3.3.6.1 Arrange for EPCOR to inspect the excavated ground prior to placing bedding.
- 3.3.6.2 Check sufficient depth of bedding has been laid before setting base unit into position.
- 3.3.6.3 Check alignment and seal between units.

**END OF SECTION**



PROVIDING MORE

# Construction Standards

## Section 4 Hydrants

April 2021

## 4.1 GENERAL

### 4.1.1 SCOPE

4.1.1.1 This section refers to fire hydrants.

### 4.1.2 PRODUCT ACCEPTANCE

4.1.2.1 All water main piping and lining shall be certified to NSF Standards 14 and 61 as acceptable for drinking water system components.

4.1.2.2 Products are specified to be in accordance with a recognized standard such as AWWA, CSA, ASTM or ANSI.

4.1.2.3 Determining that a product complies with a standard requires:

4.1.2.3.1 Certification from the supplier or manufacturer to the effect that the product does meet the standard; and/or

4.1.2.3.2 Testing in accordance with a recognized procedure such as the appropriate ASTM Standard.

4.1.2.4 In general, EPCOR will accept certification, if available, while reserving the right to call for additional testing as necessary without incurring extra costs to EPCOR or the City.

4.1.2.5 A list of materials approved for use in the water distribution system is included in Section 11.

4.1.2.5.1 In making this determination, EPCOR is not strictly bound by the specified standards, but instead exercises judgement in the best interests of the City of Edmonton in conjunction with EPCOR's specific requirements.

4.1.2.5.2 Unless prior written approval is obtained all material supplied shall be included on this list.

4.1.2.6 Unless otherwise designated, all specification and standard references shall refer to the latest edition.

4.1.2.7 Fire Hydrants and appurtenances shall conform to the following standards and guidelines:

4.1.2.7.1 AWWA C502 – Dry-Barrel Fire Hydrants

4.1.2.7.2 AWWA C550 – Protective Interior Coatings for Valves and Hydrants

4.1.2.7.3 AWWA M17 – Installation, Field Testing and Maintenance of Fire Hydrants

4.1.2.7.4 NFPA 291 – Recommended Practice for Fire Flow Testing and Marking of Hydrants

## 4.2 PRODUCTS

### 4.2.1 FIRE HYDRANTS

4.2.1.1 Provide dry barrel hydrants that conform to AWWA C502.

4.2.1.1.1 Hydrants shall have a centre operating stem and shall be a traffic model, with a breakable ground flange and a breakable stem coupling.

4.2.1.1.2 Nozzle section must be able to rotate 360 degrees.

4.2.1.2 Provide compression type hydrants, which close with the line pressure, complete with bottom connection and drip valve.

4.2.1.3 The barrel of the hydrant shall be a minimum of 150 mm inside diameter in two flanged sections with the upper section being 300 mm in length and terminating at the ground flange, 50 mm above ground level.

4.2.1.4 The lower section of the hydrant is to be of sufficient length to provide a minimum of 2.59 m from ground surface to the invert of the inlet pipe.

4.2.1.5 Hydrant flanges are to have a minimum of 4 bolts.

4.2.1.6 The hydrant head is to have one 4.5" pumper connection and two 2.5" nozzle connections at least 415 mm above the ground flange; nozzle connections must be at 90 degrees on each side of the pumper connection.

4.2.1.7 Pumper and nozzle connections are to be provided with caps, without chains or cables.

4.2.1.8 The valve stem in the hydrant head is to have "O" ring seals and to be equipped with a thrust bearing.

4.2.1.9 Lubrication, where required, to be applied by regular automotive style greasegun.

4.2.1.10 Hydrant connections shall have threads conforming to Table 4.1.

Table 4.1: Hydrant Connection Thread Requirements

Requirement	Pumper	Nozzles
Nominal Size	114.3 mm (4 ½")	63.5 mm (2 ½")
Thread Designation	4.5 – 4NH*	AMA**

\*NH - American National Fire Protection hose connection screw threads  
 \*\*AMA - Alberta Mutual Aid thread.

- 4.2.1.11 Pumper and nozzle caps are to be threaded into the hydrant head, rather than leaded in, unless a positive locking device is provided to prevent blow-out of the caps.
- 4.2.1.12 The operating nut on the hydrant valve stem and on the pumper and nozzle caps shall be 3 sided, each side being an arc, with 1.5" between points (chord length) and 1.5" radius.
- 4.2.1.13 The hydrant valve, pumper and nozzle caps shall open counter-clockwise.
- 4.2.1.14 All external nuts and bolts, excluding ground flange, are to be Type 304 stainless steel or better.
- 4.2.1.15 Provide a bottom connection flanged to the barrel, with a single gasket, push-on type joint for ductile iron or PVC pipe, 150 mm diameter only (cast iron outside diameter), complete with harnessing lugs.
- 4.2.1.16 Internal Paint
  - 4.2.1.16.1 Hydrant body (internal top section) is to be painted to AWWA C502 and AWWA C550.
  - 4.2.1.16.2 Alternatively internal surfaces may be left bare.
- 4.2.1.17 External Paint
  - 4.2.1.17.1 Hydrant body (external top section) is to be painted to AWWA C502 - yellow or the following:
    - 4.2.1.17.1.1 Primer – Benjamin Moore Industrial Maintenance Universal Metal Primer, White, or equivalent
    - 4.2.1.17.1.2 Surface Coat – Benjamin Moore Alkyd Enamel Yellow, or approved equal, 1 coat.
  - 4.2.1.17.2 Hydrant dome, both 2.5" nozzle caps, and 4.5" pumper cap are to be painted using Benjamin Moore Industrial Maintenance Rapid Dry Gloss Alkyd Enamel or an approved equal in accordance with NFPA 291 standards, as shown in Table 4.2.
  - 4.2.1.17.3 Hydrant numbers to be painted on back of hydrant in black or safety blue at least 300 mm above the ground flange, preferably directly behind the 4.5" pumper cap.
    - 4.2.1.17.3.1 Font to be 50 mm Arial.
  - 4.2.1.17.4 Location of hydrant control valve is to be marked on hydrant showing distance of control valve from hydrant in meters (e.g. 2.5).
    - 4.2.1.17.4.1 Markings to be in direct alignment with valve.
    - 4.2.1.17.4.2 Control valve location number is to be marked at 250 mm above ground flange or higher, font to be 50 mm Arial.

Table 4.2: Hydrant paint colours

Hydrant Flow Capacity		Dome, Pumper and Nozzle Cap Colour
US gpm	L/s	
1500 or greater	95 or greater	Benjamin Moore Safety Blue or Approved Equal
1000 – 1500	60 – 95	Benjamin Moore Safety Green or Approved Equal
500 – 1000	30 – 60	Benjamin Moore Safety Orange or Approved Equal
< 500	< 30	Benjamin Moore Safety Red or Approved Equal

### 4.3 EXECUTION

#### 4.3.1 INSPECTION OF MATERIAL BEFORE INSTALLATION

- 4.3.1.1 Before unloading, inspect the general condition of load for adequacy of packing and bracing, any signs of shifting and any signs of damage to materials; where the load has shifted badly and material appears significantly damaged, reject the entire load.
- 4.3.1.2 While unloading check each hydrant for:
  - 4.3.1.2.1 The required manufacturer's markings;
  - 4.3.1.2.2 The mark of the manufacturer's testing agency;
  - 4.3.1.2.3 Damage to joint ends or surfaces;
  - 4.3.1.2.4 Damage to coating or lining; and
  - 4.3.1.2.5 Other visually apparent damage.

- 4.3.1.3 If EPCOR is supplying the materials, note all damage and defects in writing and submit a copy of the receiving inspection report to EPCOR.
  - 4.3.1.3.1 EPCOR or EPCOR's supplier will replace rejected materials.
  - 4.3.1.3.2 Unless the piece is rejected entirely, the Contractor shall repair damage and defects discovered at the time of receiving.
  - 4.3.1.3.3 All materials, once accepted by the Contractor, become the responsibility of the Contractor until EPCOR accepts the installation.
- 4.3.1.4 If the Contractor is supplying the materials, note all damage and defects in writing and submit a copy of the receiving inspection report to EPCOR.
  - 4.3.1.4.1 Repair damages or defects and replace rejects.
- 4.3.1.5 The Contractor shall maintain a continuous file of all receiving inspection reports at the job site, to be accessible for review by EPCOR.
- 4.3.1.6 The Contractor is responsible for the safe storage of materials after delivery and before installation and for handling and transportation between the storage site and the final location.
- 4.3.1.7 Hydrants shall be kept drained and stored before installation in a manner protecting them from damage due to freezing of trapped water.
- 4.3.1.8 Prior to installation, hydrants shall be stored in a manner that protects them from damage from the environment in which they are stored.
- 4.3.1.9 Manufacturer's recommendations for hydrant storage shall be adhered to.
- 4.3.1.10 Visually inspect all joint ends and surfaces for damage or defects immediately before installation and reject and remove any unacceptable hydrants from site.

#### 4.3.2 INSTALLING HYDRANTS

- 4.3.2.1 Install hydrants at the locations designated.
- 4.3.2.2 Support hydrant base on treated fir blocks or as designated on the construction drawings.
- 4.3.2.3 Construct concrete thrust blocks in conformance with Drawings WA-002-002, WA-002-007, WA-002-008a, WA-002-008b, and WA-004-001 or as shown on the construction drawings.
  - 4.3.2.3.1 Ensure interface between concrete thrust block and pipe/fittings is constructed in accordance with the pipe/fitting's manufacturer's recommendations and requirements.
- 4.3.2.4 Install hydrants in accordance with Drawings WA-004-001 and AWWA M17.
- 4.3.2.5 Install protection posts in accordance with Drawing WA-004-003 as needed.
- 4.3.2.6 Provide a minimum of 0.3 m<sup>3</sup> of washed gravel media (25 mm nominal single size washed rock) to allow unobstructed draining of the hydrant.
  - 4.3.2.6.1 Washed gravel media is to be covered with polythene sheet, minimum 0.15 mm (6 mils) thick, to prevent infiltration of backfill materials.
- 4.3.2.7 All nonstandard depth of bury installations require approval from EPCOR Water Services.
- 4.3.2.8 Install hydrant plumb, with ground flange horizontal and true.
  - 4.3.2.8.1 Do not cause the hydrant to move out of plumb or out of position while placing and compacting backfill.
- 4.3.2.9 Where the water table is above the hydrant drain, the hydrant drain ports may require plugging.
  - 4.3.2.9.1 These hydrants must be clearly identified on the engineering drawings and as-built submission.
  - 4.3.2.9.2 Hydrants with plugged drain ports must be pumped free of standing water after each use.
  - 4.3.2.9.3 Hydrant drain ports shall be plugged with approved internal plugs as per manufacturer's specifications.
- 4.3.2.10 Where specifically designated on the drawings or as directed by EPCOR, provide a joint harness consisting of tie rods and clamps.
- 4.3.2.11 Install Hydrant Disks as specified on the approved engineering drawings.
- 4.3.2.12 For hydrants that are installed in concrete (e.g. sidewalks), install in accordance with Detail WA-003-019.

#### 4.4 PROTECTION DURING ADJACENT CONSTRUCTION

- 4.4.1 Hording shall be installed per Drawing WA-004-004 when existing hydrants are located within an active construction zone.

**END OF SECTION**



PROVIDING MORE

# **Construction Standards**

## **Section 5 Water Services**

April 2021

## 5.1 GENERAL

### 5.1.1 SCOPE

5.1.1.1 This section applies to water services from the water main to the property line as follows:

- 5.1.1.1.1 Service pipe 20 mm to 50 mm in diameter;
- 5.1.1.1.2 Brass fittings, and service boxes for 20 mm to 50 mm diameter services;
- 5.1.1.1.3 Service Saddles for 40 mm and 50 mm diameter services; and
- 5.1.1.1.4 Service pipe and fittings 100 mm in diameter and larger.

### 5.1.2 PRODUCT ACCEPTANCE

- 5.1.2.1 All water service piping, lining, fittings and valves shall be certified to NSF Standards 14 and 61 as acceptable for drinking water system components.
- 5.1.2.2 Products are specified to be in accordance with a recognized standard such as AWWA, CSA, ASTM or ANSI.
- 5.1.2.3 Determining that a product complies with a standard requires certification from the supplier or manufacturer to the effect that the product does meet the standard or testing in accordance with a recognized procedure such as the appropriate ASTM Standard.
- 5.1.2.4 In general EPCOR will accept certification, if available, while reserving the right to call for additional testing as necessary without incurring extra costs to EPCOR or the City.
- 5.1.2.5 A list of material approved for use in the water distribution system is included as Section 11.
  - 5.1.2.5.1 In making this determination, EPCOR is not strictly bound by the specified standards, but instead exercises judgement in the best interests of the City of Edmonton in conjunction with EPCOR's specific requirements.
  - 5.1.2.5.2 Unless prior written approval is obtained, only materials that appear on this list shall be supplied.
- 5.1.2.6 Unless otherwise designated, all specification and standard references shall refer to the latest edition.

### 5.1.3 STANDARDS

- 5.1.3.1 Water services and appurtenances shall conform to all applicable standards, including but not limited to the following:
  - 5.1.3.1.1 AWWA C800 – Underground Service Line Valves and Fittings.
  - 5.1.3.1.2 AWWA C903 – Polyethylene—Aluminum—Polyethylene & Cross-linked Polyethylene— Aluminum— Cross-Linked Polyethylene Composite Pressure Pipes, ½ In. (12 mm) Through 2 In. (50 mm), for Water Service
  - 5.1.3.1.3 ASTM B88 – Standard Specification for Seamless Copper Water Tube
  - 5.1.3.1.4 ASTM B62 – Standard Specification for Composition Bronze or Ounce Metal Castings
  - 5.1.3.1.5 ASTM B584 – Standard Specification for Copper Alloy Sand Castings for General Applications
  - 5.1.3.1.6 CSA B137.5 – Cross-linked Polyethylene (PEX) Tubing Systems for Pressure Applications
  - 5.1.3.1.7 CSA B137.1 - Polyethylene (PE) Pipe, Tubing and Fittings for Cold-Water Pressure Services
  - 5.1.3.1.8 National Sanitation Foundation (NSF) Standard 14 - Plastics Piping System Components and Related Materials
  - 5.1.3.1.9 National Sanitation Foundation (NSF) Standard 61 - Drinking Water System Components: Health Effects

### 5.1.4 REGULATIONS

- 5.1.4.1 All applicable regulations shall be adhered to, including but not limited to the following:
  - 5.1.4.1.1 EPCOR Water Services and Wastewater Treatment Bylaw 17698
  - 5.1.4.1.2 EPCOR Drainage Services Bylaw 18100
  - 5.1.4.1.3 City of Edmonton Drainage Bylaw 18093
  - 5.1.4.1.4 The Standards and Guidelines for Municipal Waterworks, Wastewater and Storm Drainage Systems - Alberta Environment and Sustainable Resource Development (Alberta Environment and Parks as of 2015)
  - 5.1.4.1.5 City of Edmonton Regulation of Work and Equipment Installation Bylaw 12846
  - 5.1.4.1.6 Alberta Environmental Protection and Enhancement Act and associated Regulations
  - 5.1.4.1.7 National Building Code of Canada
  - 5.1.4.1.8 Alberta Building Code



- 5.1.4.1.9 National Plumbing Code of Canada
- 5.1.4.1.10 National Fire Code of Canada
- 5.1.4.1.11 Alberta Fire Code
- 5.1.4.2 All products shall be installed in accordance with the recommended installation procedures provided by the manufacturer.

## 5.2 PRODUCTS

### 5.2.1 COPPER SERVICE PIPE

- 5.2.1.1 Conform to AWWA C800, Type K copper pipe to ASTM B88.
- 5.2.1.2 Provide third party certification with the symbol of the certifier permanently marked at 0.5 m intervals on all certified tubing.
  - 5.2.1.2.1 The third party certifier shall be an accredited certification agency recognized by the Standards Council of Canada.
- 5.2.1.3 Copper service pipe can be used for services 20 mm to 50 mm in diameter.

### 5.2.2 FITTINGS FOR COPPER SERVICE PIPE

- 5.2.2.1 Provide main stops, curb cocks, service boxes and couplings listed in Section 11 and according to AWWA C800.
- 5.2.2.2 All fittings to withstand a test pressure of 1035 kPa.
- 5.2.2.3 Provide service boxes per Drawings WA-005-003, WA-005-004, WA-005-005, and WA-005-006.

### 5.2.3 ALTERNATE SERVICE PIPE

- 5.2.3.1 Provide alternate service pipe according to Section 11.
- 5.2.3.2 Composite PE-Al-PE can be used for services 20 mm and 25 mm in diameter.
- 5.2.3.3 Cross linked PE can be used for services 20 mm to 50 mm nominal diameter.
- 5.2.3.4 Sizing is by internal diameter.

### 5.2.4 FITTINGS FOR ALTERNATE SERVICE PIPE

- 5.2.4.1 Provide main stops, curb cocks, service boxes and couplings according to Section 11 and AWWA C800.
- 5.2.4.2 All fittings to withstand a test pressure of 1035 kPa.
- 5.2.4.3 Provide service boxes, as per Drawings WA-005-003, WA-005-004, WA-005-005, and WA-005-006.

### 5.2.5 LARGE SERVICE PIPE AND FITTINGS

- 5.2.5.1 Large Service means sizes 100 mm nominal diameter and larger.
- 5.2.5.2 Generally use the same materials of service pipe, fittings, and valves as the distribution main pipe.
- 5.2.5.3 Provide valve boxes per Drawings WA-003-001 to WA-003-009.

### 5.2.6 SERVICE SADDLES

- 5.2.6.1 To be of stainless steel Type 304 and/or bronze construction.
- 5.2.6.2 Bronze components shall be Waterworks Bronze (85-5-5-5) in conformance with ASTM B62.
- 5.2.6.3 Single or double band design with a minimum total band width of 90 mm.
- 5.2.6.4 Nuts and bolts to be Type 304 stainless steel with threads treated to prevent binding.
- 5.2.6.5 Gaskets shall be of synthetic rubber suitable for potable water use.
- 5.2.6.6 Use for all pipe types except steel and concrete cylinder pipe.

### 5.2.7 SERVICE RODS

- 5.2.7.1 Operating rods for 20mm and 25 mm curb cocks shall be Type 304 stainless steel. The rod shall be attached to a manganese bronze or stainless steel clevis with a stainless steel rivet. Refer to Drawing WA-005-003 and WA-005-004.
- 5.2.7.2 Operating rods for 40mm and 50 mm curb cocks shall be mild steel. Refer to Drawings WA-005-005 and WA-005-006.
- 5.2.7.3 One stainless steel or brass cotter pin shall be supplied with each operating rod (packaged separately).
- 5.2.7.4 Table 5.1 shows alternative material specifications that shall apply for each component.

Table 5.1: Material specifications for service rods

Component	Specification	Type of Alloy UNIS No.	Composition (%)	Minimum Yield Strength (MPa)
Stainless Steel Rod, Rivet and Cotter Pin	AISI	304	C, 0.08 max. Cr, 18.0 to 20.0 Ni, 8.0 to 10.0 Mn, 2.0 max. Si, 1.0 max. P, 0.045 max. S, 0.03 max.	242
Manganese Bronze Clevis	ASTM B584	C86200	Al, 3.0 to 4.9 Cu, 60 to 66 Fe, 2.0 to 4.0 Mn, 2.5 to 5.0 Ni, 1.0 Max Pb, 0.2 Max. Sn, 0.2 Max. Zn, 22.0 to 28.0	310
		C86300	Al, 5.0 to 7.5 Cu, 60 to 66 Fe, 2.0 to 4.0 Mn, 2.5 to 5.0 Ni, 1.0 Max. Pb, 0.2 Max. Sn, 0.2 Max. Zn, 22.0 to 28.0	414

### 5.3 EXECUTION

#### 5.3.1 INSPECTION OF MATERIAL BEFORE INSTALLATION

- 5.3.1.1 Inspect the general condition of load for adequacy of packing and bracing, any signs of shifting and any signs of damage to materials before unloading materials.
  - 5.3.1.1.1 Reject the entire load where the load has shifted badly and material appears significantly damaged.
- 5.3.1.2 While unloading check each piece of pipe and/or each fitting for:
  - 5.3.1.2.1 The required manufacturers' markings;
  - 5.3.1.2.2 The mark of the manufacturer's testing agency;
  - 5.3.1.2.3 Damage to joint ends or surfaces;
  - 5.3.1.2.4 Damage to coating or lining; and
  - 5.3.1.2.5 Other visually apparent damage.
- 5.3.1.3 If EPCOR is supplying the materials, note all damage and defects in writing and submit a copy of the receiving inspection report to EPCOR.
  - 5.3.1.3.1 All materials, once accepted, become the responsibility of the Contractor until EPCOR accepts the installation.
  - 5.3.1.3.2 Unless the piece is rejected entirely, the Contractor shall repair damage and defects discovered at the time of receiving.
  - 5.3.1.3.3 Rejected materials are to be replaced by EPCOR or EPCOR's supplier.
- 5.3.1.4 If the Contractor is supplying the materials, note all damage and defects in writing and submit a copy of the receiving inspection report to EPCOR.
  - 5.3.1.4.1 Repair damages or defects, and replace rejects.
- 5.3.1.5 Maintain a continuous file of all receiving inspection reports at the job-site. Allow EPCOR access to these reports for review.
- 5.3.1.6 The Contractor is responsible for:
  - 5.3.1.6.1 The safe storage of materials after delivery and before installation; and

5.3.1.6.2 Handling and transporting between the storage site and the final location.

5.3.1.7 Visually inspect all joint ends and surfaces for damage or defects immediately before installation.

5.3.1.7.1 Reject and remove any unacceptable pipe or fittings from the site.

5.3.1.8 Check brass water service fittings for damaged end threads before installation.

**5.3.2 WATER SERVICES**

5.3.2.1 Tap other pipe materials in accordance with Section 10 and in accordance with the instructions of the tapping equipment supplier for the specific pipe material.

5.3.2.2 Carefully and evenly support exposed sections of water main pipe during tapping operations and carefully restore the pipe bedding to provide even support on completion.

5.3.2.3 Existing water mains shall not be subjected to excessive point loadings, deflection, rotation or displacement, at any time during the construction process.

5.3.2.4 Where Asbestos Cement water main pipe is encountered, extra caution is required.

5.3.2.5 Review plans and procedures on site with the EPCOR Inspector.

5.3.2.6 Curb cock shall be located 0.1 m from the property line, on the city side, except for lots serviced from the side, where curb cocks must be 0.3 m from the property line, on the city side. Ensure that the curb cock is installed in the proper direction. Alternative curb cock locations must be shown on the engineering drawings and must be approved by the Engineer, EPCOR Water Services.

5.3.2.6.1 Water drops shall be stamped into the sidewalk in front of each lot's curb cock with the tip of the drop pointing in the direction of the curb cock (see Drawing WA-005-013).

5.3.2.7 The invert of the service pipe shall be at 2.7 +/- 0.15 m below finished grade at the curb cock, except in freeze zones where the invert of the service pipe shall be at 2.89 m below finished grade at the property line. The top of the control rod is to be at 1.50 m +/- 0.15 m below finished grade regardless of the depth of bury. The freeze zones are defined in Section 1.6.2.2.

5.3.2.8 All curb cocks installed on water service connections to properties shall be of the non-bleeder (not self-draining) type unless specifically approved.

5.3.2.8.1 Self-draining (bleeder type) curb cocks will be installed only on seasonal water services with prior written approval on a project specific basis.

5.3.2.9 Valves for large services shall be installed by TVS in accordance with Section 10 or strapped to tee in accordance with Drawing WA-003-009.

5.3.2.10 Water and sewer services shall be extended into property beyond the gas URW in accordance with Drawing WA-005-007.

5.3.2.11 Minimum size of water service shall be as shown in Table 5.2.

Table 5.2: Minimum water service sizes

Class of Building	Minimum Service Size – Internal Diameter
Single-Family Dwelling	25 mm
Multi-Family Dwelling (one titled lot)	40 mm or 25 mm service to each unit*
Multi-Family Dwelling (separately titled fee simple lots)	25 mm service to each lot

\*If fronting public road right-of-way. Refer to Drawings WA-005-011a and WA-005-011b.

5.3.2.12 A larger service size than that which is indicated in Table 5.2 will be required where the length of the service pipe, the potential demand, the supply pressure or other conditions warrant a mandated increase. For non-residential buildings install water services as designated by EPCOR Water Services or as shown on the drawings.

5.3.2.12.1 If the length of the water service from the mainstop to property line is greater than 20 m, the service must be increased to next standard service size.

5.3.2.13 For services 100 mm and larger use the same material systems as the distribution mains to which they are connected.

5.3.2.14 Do not install services sized between 50 mm and 100 mm in diameter.

5.3.2.15 Provide a "goose-neck" at each mainstop in accordance with Drawings WA-005-001 and WA-005-002.

5.3.2.15.1 Provide an additional "goose-neck" at each sewer crossing.

5.3.2.15.2 Avoid kinking or crimping the water service tubing.

- 5.3.2.15.3 Bend to minimum 300 mm radius or to manufacturer's specification, whichever is greater.
  - 5.3.2.15.4 Support and protect service tubing to prevent damage or displacement.
  - 5.3.2.15.5 Vertical goosenecks shall only be used with prior written approval by the Engineer and must be insulated per Drawing WA-002-001.
  - 5.3.2.16 Install a service box or valve casing in accordance with Drawings WA-005-003, WA-005-004, WA-005-005, WA-005-006 or WA-003-001 to WA-003-008.
    - 5.3.2.16.1 Set vertically and brace to remain vertical during backfilling and compaction.
    - 5.3.2.16.2 For small services, set the top of service box below grade at sufficient depth to avoid damage during the maintenance period.
    - 5.3.2.16.3 The contractor shall raise the top section to finished grade prior to requesting FAC inspection.
  - 5.3.2.17 Install dual services in one trench in accordance with Drawing WA-005-007.
  - 5.3.2.18 All service pipes are to be in one continuous piece.
    - 5.3.2.18.1 Use couplings only when the service pipe exceeds the length of a standard roll of service tubing.
    - 5.3.2.18.2 Locate double unions outside of paved areas if possible, usually in the boulevard.
  - 5.3.2.19 Allow at least 600 mm between mainstops.
  - 5.3.2.20 No mainstop shall be within 600 mm of a bell, coupling or collar.
  - 5.3.2.21 Backfill around curb cock and casing bottom section with clay, not with granular material.
  - 5.3.2.22 Test water services in accordance with Section 8.
  - 5.3.2.23 Where the water service is 50 mm diameter or smaller, install it in the same trench as the sewer services and to the right of the sanitary sewer service when facing towards the property being served. Refer to Drawings WA-005-007 and WA-005-008, sewer bylaws and water bylaw.
  - 5.3.2.24 Where the water service is 100 mm diameter or larger, install it in a separate trench at least 2.5 m from any sewer, in accordance with sewer and water bylaws, and 1.8 m from gas or powerlines.
  - 5.3.2.25 Install services in accordance with all applicable Drawings (WA-005-001 to WA-005-012) unless indicated otherwise on the construction drawings.
- 5.3.3 SERVICES INSTALLED BY AUGERING, BORING OR TUNNELLING
- 5.3.3.1 Auger, bore or tunnel under existing sidewalks, curb and gutter, etc.
  - 5.3.3.2 For augering, boring or tunneling, refer to applicable Sections in the City of Edmonton Design and Construction Standards Volume 3, Drainage, including 02445 Bored Undercrossing, 02441 Microtunnelling, and 02446 Horizontal Directional Drilling.
  - 5.3.3.3 Install water, sanitary and storm sewer service pipe.
  - 5.3.3.4 If the service is installed in a tunnel, place and hand tamp Class B bedding to fill tunnel cross-section; if the service is installed by augering or boring, fill the auger or bore hole with a dry or slurry mixture of sand/cement.
- 5.3.4 RECORD OF SERVICES
- 5.3.4.1 All service information must be submitted according to Section 1.4.6.2.
  - 5.3.4.2 As-built survey data must include the following:
    - 5.3.4.2.1 Main stop;
    - 5.3.4.2.2 Curb stop;
    - 5.3.4.2.3 End of pipe;
    - 5.3.4.2.4 Any couplings; and
    - 5.3.4.2.5 Any pipe deviations.
  - 5.3.4.3 Obtain the approved method of delivering as-built information from Water and Sewer Services (WASS), showing locations related to property lines and street and avenue designations, coordinates and elevations of curb cocks (CC) and valves, main stops, and pipe sizes/lengths/materials.
    - 5.3.4.3.1 Complete required information in accordance with WASS' instructions.
    - 5.3.4.3.2 For further information, contact (780) 496-5444 or [wass.drainage@epcor.com](mailto:wass.drainage@epcor.com).
  - 5.3.4.4 The above as-built information must be provided for any lots pre-serviced as part of a project.



5.3.5 REPLACEMENT AND/OR RECONNECTION OF EXISTING WATER SERVICES

- 5.3.5.1 Replace services with approved water service materials, from the main to the property line, including service valves.
- 5.3.5.2 Additional information on obtaining a new water service is available from EPCOR's Water Services Guidelines, available on the EPCOR Website.
- 5.3.5.3 Replace any part of an existing service exposed during construction that is found to be in poor condition.
  - 5.3.5.3.1 Extent of replacement to be as directed by EPCOR.
  - 5.3.5.3.2 The charges for this extra work shall be consistent with the unit prices quoted in the Contractor's bid, and subject to EPCOR's approval.
- 5.3.5.4 Replace all existing water services and curb stops that service properties on the side of the lane closest to the water main when the water main is replaced.
- 5.3.5.5 All water services encountered during construction shall be reconnected to the new water main.
  - 5.3.5.5.1 If a water service that is not identified on the drawings is encountered, obtain written authorization from EPCOR prior to connecting it to the new water main.
- 5.3.5.6 Where a water service to two or more properties is provided by a single water service line and is encountered during construction, it is to be replaced with individual water service pipes for each property from the property line to the water main.

5.3.6 CATHODIC PROTECTION

- 5.3.6.1 Install cathodic protection for metallic components of water services in accordance with Section 7.
- 5.3.6.2 Install sacrificial anodes on all existing and replaced copper services in accordance with Section 7 and Drawing WA-005-001 and WA-007-006.

5.3.7 REPLACEMENT OF EXISTING CURB COCKS

- 5.3.7.1 All faulty curb cocks, as identified during pre-construction inspection, will be replaced with new curb cocks.
- 5.3.7.2 If the new curb cock is to be reconnected to an existing copper service piping less than 1.5 m long, the copper service piping will be replaced in its entirety together with the installation of the new curb cock.

5.3.8 TURNING ON SERVICES

- 5.3.8.1 Do not operate any service control valves unless specifically authorized to do so.
  - 5.3.8.1.1 Only EPCOR Water Services Distribution Operations personnel or contractual agents, either under direct supervision of or with prior approval from EPCOR Water Services, can operate services.
- 5.3.8.2 Work with EPCOR Water Services Distribution Operations personnel to maintain a watch in case a leak develops on those services utilized within 3 days of bringing a new water main into operation.
- 5.3.8.3 Be prepared to deal promptly with a service leak.
- 5.3.8.4 Be prepared to perform additional water sampling and testing in the event that water quality concerns arise.
- 5.3.8.5 Dechlorinate discharges of chlorinated water as required under federal law and local bylaws.
- 5.3.8.6 Additional information on turning on water services and obtaining a new water service is available from EPCOR's Water Services Guidelines, available on the EPCOR Website.

**END OF SECTION**



PROVIDING MORE

# Construction Standards

## Section 6 Pipe Bedding

April 2021

## 6.1 GENERAL

### 6.1.1 SCOPE

- 6.1.1.1 This section covers bedding and structural support for water pipe in excavations and all material under and around the pipe to 300 mm above the top-of-pipe.

### 6.1.2 ASSOCIATED WORK

- 6.1.2.1 Trench and backfill shall be undertaken in accordance with the City of Edmonton Design and Construction Standards Volume 2: Roadways, Section 3.1 – Trench and Backfill.
- 6.1.2.2 Utility cut restoration shall be undertaken in accordance with the City of Edmonton Design and Construction Standards Volume 2: Roadways, Section 3.2 – Utility Cut Restoration.
- 6.1.2.3 Fillcrete backfill shall be undertaken in accordance with the City of Edmonton Design and Construction Standards Volume 2: Roadways, Section 7.11 – Fillcrete.

## 6.2 PRODUCTS

### 6.2.1 PIPE BEDDING MATERIAL

- 6.2.1.1 Fine Granular: Provide granular material clean and free of organic matter, pit-run or crushed within the gradation limits shown in Table 6.1.

Table 6.1: Gradation limits for fine granular

Sieve Size (mm)	Percent Passing by Mass
10.000	100
5.000	70 to 100
0.150	5 to 20
0.075	0 to 12

- 6.2.1.2 Coarse Granular: Provide granular material clean and free of organic matter, pit-run or crushed within the gradation limits shown in Table 6.2.

Table 6.2: Gradation limits for coarse granular

Sieve Size (mm)	Percent Passing by Mass
25.000	100
20.000	95 to 100
10.000	60 to 80
5.000	40 to 60
0.150	5 to 15

- 6.2.1.3 Washed Gravel: Washed, crushed or screened, stone or gravel consisting of hard and durable particles, meeting the gradation limits in Table 6.3, and free from sand, clay, cementitious, organic and other deleterious material.

Table 6.3: Gradation limits for washed gravel

Sieve Size (mm)	Percent Passing by Mass
25.00	100
5.00	10 max
0.08	2 max

- 6.2.1.4 Use washed gravel only if approved by EPCOR.

## 6.3 EXECUTION

### 6.3.1 CLASSES OF TRENCH BEDDING

- 6.3.1.1 Use the class of bedding specified on the construction drawings. If there is no specific designation, use Class B bedding, with fine granular bedding material. Refer to Drawing WA-006-001.

- 6.3.1.1.1 **Class A** – Place a cradle of plain concrete or reinforced concrete, minimum 15 MPa, under the pipe, across the entire width of the trench, and along the sides of the pipe to provide a support angle of 120°. Place and compact fine granular bedding material above the concrete to 300 mm above the top-of-pipe. Compact to 95% of Standard Proctor Density.
- 6.3.1.1.2 **Class B** – Place and compact 75 mm (minimum depth) of fine granular bedding material under the pipe (maximum depth 400 mm) and around the pipe to 300 mm above the top-of-pipe. Compact to 95% of Standard Proctor Density.
- 6.3.1.1.3 **Class C** – Place and compact 75 mm (minimum depth) of fine granular bedding material under the pipe (maximum depth 400 mm) and around sides of the pipe up to the spring line. Compact to 95% of Standard Proctor Density. Place and compact suitable backfill material from the spring line to 300 mm above the top-of-pipe. Compact to 95% of Standard Proctor Density.
- 6.3.1.1.4 **Class D** – Shape the bottom of the trench to fit the pipe over a 90° support angle. Place and compact suitable backfill material around the pipe to 300 mm above the top-of-pipe. Compact to 95% of Standard Proctor Density.
- 6.3.1.2 All bedding and backfill material is to be placed in 150 mm layers and compacted.
- 6.3.1.3 For pipes larger than 450 mm, with Class A, B, or C bedding, place and compact 1.0 m long clay cut-off walls to an undisturbed bottom across the entire trench at intervals of 150 m.
- 6.3.2 **BEDDING FOR PIPE IN EXCAVATIONS FOR STRUCTURES**
  - 6.3.2.1 Where the depth from the underside of the pipe to solid, undisturbed ground is less than 0.5 m, place and compact fine granular bedding material under and around the pipe to 300 mm above the top-of-pipe, extending across the entire width of the excavation to the undisturbed wall of the excavation. Compact to 95% of Standard Proctor Density
  - 6.3.2.2 If the depth to undisturbed ground is between 0.5 m and 1.0 m, place suitable material below the pipe bedding zone. Place in 150 mm layers and compact to 95% of Standard Proctor Density.
  - 6.3.2.3 Where the depth from the underside of pipe to undisturbed, solid, ground is greater than 1.0 m, provide structural support as shown on the drawings or as directed by EPCOR.
  - 6.3.2.4 If there is over-excavation beyond the specified limits, advise EPCOR and obtain instructions.

**END OF SECTION**





PROVIDING MORE

# **Construction Standards**

## **Section 7 Cathodic Protection**

**April 2021**

## 7.1 GENERAL

### 7.1.1 SCOPE

7.1.1.1 This section pertains to cathodic protection of metallic water system components by the use of sacrificial anodes and deals with the following materials:

- 7.1.1.1.1 Magnesium Anodes;
- 7.1.1.1.2 Water Main Wires;
- 7.1.1.1.3 Conductivity (Jumper/Bond) Cables;
- 7.1.1.1.4 Electrical Isolation Devices; and
- 7.1.1.1.5 Test Stations.

### 7.1.2 SPECIFICATIONS

7.1.2.1 Cathodic protection shall conform to the following standards and recommended practices:

- 7.1.2.1.1 CSA C22.2 No. 38 – Thermoset Insulated Wires and Cables
- 7.1.2.1.2 CSA C22.3 No. 4 – Control of Electrochemical Corrosion of Underground Metallic Structures
- 7.1.2.1.3 CSA C22.3 No. 6 – Principles and Practices of Electrical Coordination between Pipelines and Electric Supply Lines
- 7.1.2.1.4 ASTM G97 – Standard Test Method for Laboratory Evaluation of Magnesium Sacrificial Anode Test Specimens for Underground Applications
- 7.1.2.1.5 ASTM G57 – Standard Test Method for Field Measurement of Soil Resistivity Using the Wenner Four-Electrode Method
- 7.1.2.1.6 ASTM B418 – Standard Specification for Cast and Wrought Galvanic Zinc Anodes
- 7.1.2.1.7 ASTM B843-07 - Standard Specification for Magnesium Alloy Anodes for Cathodic Protection
- 7.1.2.1.8 CEC C22.1 – Safety Standard for Electrical Installations, Parts 1 and 2
- 7.1.2.1.9 NACE SP0169 - Control of External Corrosion on Underground or Submerged Metallic Piping Systems
- 7.1.2.1.10 NACE TM0497 - Measurement Techniques Related to Criteria for Cathodic Protection on Underground or Submerged Metallic Piping Systems

## 7.2 PRODUCTS

### 7.2.1 ANODES

- 7.2.1.1 **Magnesium anodes:** Magnesium anodes shall be high potential (type M1C) in accordance with ASTM B843-07. The open circuit potential of the anode versus a saturated copper/copper sulphate reference electrode shall be a minimum of 1.65 volts. Anodes shall have a minimum efficiency rating of 40% as measured by ASTM G97 using a theoretical maximum current capacity of 1150 amp-hrs./kg.
- 7.2.1.2 **Zinc anodes:** Zinc anodes shall be Type II in accordance with ASTM B418. The open circuit potential of the anode versus a saturated copper/copper sulphate reference electrode shall be a minimum of 1.05 volts. Anodes shall have a minimum efficiency rating of 95% using a theoretical maximum current capacity of 810 amp-hrs./kg.
- 7.2.1.3 **Core:** Perforated galvanized steel core not exceeding 0.15 kg/m. The core length shall be a minimum of 75% of the anode length and should be centered in the diameter of the anode. Other core types may be acceptable but must be approved by EPCOR.
- 7.2.1.4 **Lead Wire:** No. 10 AWG, Type RWU, XLPE stranded copper conforming to CSA C22.2 No. 38- M1986, 6 m long; insulation colour – blue for magnesium, white for zinc.
- 7.2.1.5 **Lead Wire Connection:** The anode lead wire shall be silver-soldered (brazed) to the steel core using a suitable filler material and flux such as Easy-Flo 45 and Handy Flux respectively. The joint shall be cleaned before brazing by removal of zinc from the core and after brazing by removal of all flux. The completed connection shall be sealed using an acceptable electrical potting compound.
- 7.2.1.6 **Anode Container:** The anode container shall consist of a water permeable cardboard tube or bag. The container shall have EPCOR labelled or stamped on it. The anode shall be centered in the tube and backfilled with material sufficient to cover all parts of the anode to a minimum thickness of 25 mm. The backfill material shall possess a maximum resistivity of 50 ohm-cm when wet and as measured by the soil box method in ASTM G57. The water used for wetting the backfill should be distilled or demineralized and no more than 15% - 20% water by weight should be added. All backfill components shall form a homogeneous mixture having a minimum compacted bulk density of 1440 kg/m<sup>3</sup> and consist of:

7.2.1.6.1	Ground Hydrated Gypsum	75%
7.2.1.6.2	Powdered Wyoming Bentonite	20%
7.2.1.6.3	Anhydrous Sodium Sulphate	5%

7.2.1.7 **Shipping Container:** All anodes shall be shipped in watertight plastic bags. Anodes shall carry a label identifying the casting manufacturer, packaging company, anode metal, anode weight, date packaged and supplier reference number.

7.2.1.8 Supply magnesium and zinc anodes in the sizes shown on the drawings.

## 7.2.2 WIRES

### 7.2.2.1 Water Main Structure and Test Lead Wires

7.2.2.1.1 Unless otherwise indicated on the drawings, water main structure and test lead wires used at test stations (Drawing WA-007-001) shall be No. 8 AWG for structure lead or No. 12 AWG for test lead, type RWU, XLPE, stranded copper conforming to CSA C22.2 No. 38 - M1986; length as designated on the drawings or as required under Section 7.5.6, colour - black.

### 7.2.2.2 Anode Header Cables and Anode Lead Wires

7.2.2.2.1 Unless otherwise indicated on the drawings, anode header cables (on which rows of anodes are spliced and routed to the test station) shall be No. 8 AWG, type RWU, XLPE, stranded copper conforming to CSA C22.2 No. 38-M1986; length as required on the drawings, colour – blue for magnesium, white for zinc.

### 7.2.2.3 Conductivity (Jumper/Bond) Cables

7.2.2.3.1 Unless otherwise indicated on the drawings, jumper cables used for bonding across couplings, valves, etc. shall be No. 8 AWG, type RWU, XLPE, stranded copper conforming to CSA C22.2 No.38 - M1986; length as designated on the drawings or as required under Section 7.5.8, jumper/bond cable colour – red.

## 7.2.3 ELECTRICAL ISOLATION DEVICES

7.2.3.1 Where it is deemed necessary to electrically isolate one section of main from another, electrical isolation devices such as a 600 mm long piece of PVC pipe, an isolation coupling or an isolation flange kit should be installed.

7.2.3.2 Isolation couplings shall be Romac style IC501, IC400, Smith-Blair Style 416 or an approved equal

7.2.3.3 Flange isolation kits shall have full faced, plain face phenolic gaskets and polyethylene sleeves and washers. Use Advance Products and Systems kits or approved equal.

## 7.2.4 TEST STATIONS

7.2.4.1 Unless otherwise designated on the drawings, test stations shall be in accordance with Drawings WA-003-001 to WA-003-008 inclusive, WA-007-001, WA-007-005 and WA-007-008.

7.2.4.2 The test station wiring configuration shall be in accordance with Drawings WA-007-001 and WA-007-008.

## 7.3 EXECUTION

### 7.3.1 GENERAL

7.3.1.1 Provide cathodic protection for steel, cast and ductile iron pipe, cast iron fittings, valves, hydrants, copper services, and where shown on the drawings.

7.3.1.2 Cathodic protection including anode location, size and spacing must be in accordance with the construction drawings and Drawings WA-007-001 to WA-007-008.

### 7.3.2 ANODES

7.3.2.1 Install anodes as shown on the drawings using an auger, hydrovac or backhoe if required, to achieve the specified bury depth.

7.3.2.2 Remove any plastic covers from anodes before installing.

7.3.2.3 Diameter of vertically drilled anode holes is to be 25 mm larger than the anode diameter. Pack original excavated soil firmly around anodes to eliminate air pockets, where possible.

7.3.2.4 For vertically installed anodes and remote main attachment, use a remote stud-welding procedure approved by EPCOR.

7.3.2.5 Extend anode wire for anodes connected to water mains along the main to the test station, taping the wires together at 1 m intervals.

**7.3.3 WATER MAIN WIRES**

- 7.3.3.1 At a test station location, exothermic weld (ex. cadweld or thermoweld) using the appropriate moulds and sleeves, stud weld, or pin braze two separate water main wires to the crown of the water main, 300 mm apart.
  - 7.3.3.1.1 Where possible, wrap lead wires around the pipe to reduce strain on the weld connection.
- 7.3.3.2 Protect each weld area from corrosion by the use of either:
  - 7.3.3.2.1 Royston Roybond 747 primer and Handy Cap IP;
  - 7.3.3.2.2 Polyken 1027 primer and three layers of Polyken 931 fillertape; or
  - 7.3.3.2.3 Polyguard 600, KEMA 250-12 and KEMA 250 (contact manufacturer for application instructions and ensure personnel has the appropriate qualifications).

**7.3.4 ANODE HEADER CABLES AND ANODE LEAD WIRES**

- 7.3.4.1 Trench header cables at the depth indicated on the drawings.
  - 7.3.4.1.1 Trim excess cable at each end past the point where the last anode wire has been attached.
  - 7.3.4.1.2 Install cables relatively straight - avoid excessive “snaking”.
- 7.3.4.2 Install anode lead wires as designated on the drawings. Lead wires enclosed in PVC conduit shall conform to the requirements as shown in Table 7.1.

Table 7.1: Requirements for anode lead wires in PVC conduit

Wire Number & Type per Conduit	Conduit Size Required (mm)
2 - #6	25
4 - #6	30
8 - #6	40
8 - #6 & 4 - #12	50

- 7.3.4.3 Conduits for lead wires shall conform to CSA C22.2.
- 7.3.4.4 Splices in conduit shall not be allowed.
- 7.3.4.5 Connect header cables, anode lead wires and anode wires by the methods stated in Section 7.5.5.

**7.3.5 SPLICES & CONNECTIONS**

- 7.3.5.1 Connections to the structure or pipe being cathodically protected shall be made by one of the following methods:
  - 7.3.5.1.1 Exothermic weld (cadweld or thermoweld);
  - 7.3.5.1.2 Pin brazing; or
  - 7.3.5.1.3 Stud welding.
- 7.3.5.2 Splices in cables or wires to connect anodes to header cables or extend leads shall be completed by one of the following methods:
  - 7.3.5.2.1 Exothermic weld (cadweld or thermoweld) using the appropriate mould and sleeve;
  - 7.3.5.2.2 Crimp type connectors as manufactured by Burndy, T&B, or equivalent;
  - 7.3.5.2.3 Servit or split-bolt type connectors as manufactured by Burndy, T&B or equivalent; or
  - 7.3.5.2.4 Soldering the wires using a 60/40 lead-tin resin core solder.
- 7.3.5.3 Protect each splice from corrosion by using one of the following methods:
  - 7.3.5.3.1 3M 8420 Series Cold Shrink Connector (for anode wires only);
  - 7.3.5.3.2 One layer of 3M Scotchfill putty;



7.3.5.3.3 Two layers of 3M Scotch 130C Linerless Rubber Splicing Tape and two layers of 3M Super 33+ Vinyl Plastic Electrical Tape; or

7.3.5.3.4 Raychem WCSM - 9/3 heat shrink sleeve.

#### 7.3.6 TEST STATIONS

7.3.6.1 Unless otherwise indicated on the drawings, install test stations in accordance with Drawing WA-007-001.

7.3.6.2 Test stations backfilled with granular material or fillcrete shall conform to the requirements of Drawing WA-007-008.

7.3.6.3 Extend separate anode/anode lead and water main wires through casing.

7.3.6.4 Fill test station casing with sand to within 400 mm of grade and provide a minimum of 1 m of slack for the anode, anode lead and water main wire for connection and testing purposes.

#### 7.3.7 CONNECTIONS AT TEST STATIONS

7.3.7.1 Terminate all lead wires on a suitable fixture with a means of identifying each lead and a shunt between the anode lead(s) and pipe lead to enable anode currents and potentials to be measured.

7.3.7.2 A typical test station fixture is detailed on Drawing WA-007-008.

#### 7.3.8 CONTINUITY (JUMPER/BOND) CABLE CONNECTIONS

7.3.8.1 Provide continuity bond where specified on the drawings.

7.3.8.2 Attach wires as outlined in Section 7.5.5.1.

7.3.8.3 For couplings in chambers, locate jumper cable connections at 150 mm from each wall leaving sufficient slack in the cable to allow for easy removal of the valve or coupling.

#### 7.3.9 INSPECTION OF CATHODIC PROTECTION

7.3.9.1 A visual inspection of each anode and its test lead wire must be completed before backfilling.

7.3.9.2 A resistance measurement between the two structure test leads is required to ensure both are low resistance connections to the structure being protected.

**END OF SECTION**



PROVIDING MORE

# **Construction Standards**

## **Section 8 Acceptance Testing**

**April 2021**



## 8.1 INTRODUCTION AND BACKGROUND

- 8.1.1 The Consultant and Contractor are responsible for flushing, hydrostatically testing and disinfecting new water mains in the City of Edmonton.
- 8.1.2 Bacteriological sampling for total coliforms is performed by the Consultant or Contractor and the samples are submitted to ProVLab North (located at the University of Alberta Hospital) for analysis. The results are then forwarded to EPCOR through Alberta Health Services, Edmonton Zone before the water main can be placed into service.
- 8.1.3 Water main acceptance testing is required to ensure that new water infrastructure is able to perform to acceptable standards and provide clean drinking water to EPCOR customers.
- 8.1.4 For proper acceptance testing of new water mains, the parties involved shall do the following:
  - 8.1.4.1 Design the water network to incorporate appurtenances which can be used for acceptance testing as well as routine maintenance;
  - 8.1.4.2 Obtain proper authorization and follow applicable procedures outlined in Section 9 before operating boundary valves separating the new water main(s) from the existing water network;
  - 8.1.4.3 Follow proper hydrostatic testing procedures in accordance with the requirements of this Standard;
  - 8.1.4.4 Follow proper disinfection procedures in accordance with the requirements of this Standard;
  - 8.1.4.5 Follow proper sampling protocols for chlorine and bacteriological analysis in accordance with the requirements of this Standard and the Alberta Government's *Standards and Guidelines for Municipal Waterworks, Wastewater and Storm Drainage Systems*;
  - 8.1.4.6 Ensure testing is completed by trained and competent personnel.
- 8.1.5 The guidelines are organized into five main sections:
  - 8.1.5.1 Flushing of water mains;
  - 8.1.5.2 Hydrostatic testing;
  - 8.1.5.3 Disinfection of water mains;
  - 8.1.5.4 Sampling; and
  - 8.1.5.5 Dechlorination.

## 8.2 WATER MAIN FLUSHING

- 8.2.1 Flushing plans are required for all projects with new water main construction.
- 8.2.2 The purpose of a flushing plan is to create an agreed-upon plan for the staging, direction and flow rate of water for flushing a water main prior to commissioning.
- 8.2.3 Requirements for Flushing Plans:
  - 8.2.3.1 All water used for flushing must come from a clean potable source.
  - 8.2.3.2 There must be only one source valve for each stage of fill.
  - 8.2.3.3 Filling of water mains must be done slowly (maximum velocity of 0.3 m/s) to:
    - 8.2.3.3.1 Prevent water hammer;
    - 8.2.3.3.2 Ensure all air in the line is vented; and
    - 8.2.3.3.3 Ensure the upstream system is not negatively impacted.
  - 8.2.3.4 Flushing runs must be planned to achieve uni-directional flows. The water must not loop back on itself.
  - 8.2.3.5 Valve statuses must be provided for all valves on each flushing run.
  - 8.2.3.6 The ideal flushing run length is 200 m. Flushing runs must not exceed 450 m in length.
  - 8.2.3.7 Water mains less than or equal to 300 mm in diameter shall:
    - 8.2.3.7.1 Be flushed with a minimum flushing velocity of 1.5 m/s to achieve scour; or
    - 8.2.3.7.2 Be foam pigged by properly trained personnel if minimum flushing velocity cannot be met. The water main must be flushed a minimum of five times the pipe volume after foam pigging is complete.
  - 8.2.3.8 Water mains between 300 mm and 450 mm in diameter shall:
    - 8.2.3.8.1 Be flushed with a minimum flush velocity of 0.9 m/s to achieve scour; or

- 8.2.3.8.2 Be foam pigged by properly trained personnel if minimum flushing velocity cannot be met. The water main must be flushed a minimum of five times the pipe volume after foam pigging is complete.
- 8.2.3.9 Water mains greater than or equal to 450 mm in diameter shall be foam pigged by properly trained personnel then flushed with a minimum flush velocity of 0.9 m/s.
  - 8.2.3.9.1 Water mains larger than 900 mm can be broom swept as an alternative to pigging. The sweepings must be removed from the pipe before filling.
- 8.2.3.10 Water must be exchanged a minimum of five times to achieve a completed flush.
- 8.2.3.11 Water quality sampling reports must confirm a completed flush.
- 8.2.3.12 During a flush, the source water shall flow from larger pipe to smaller pipe, whenever possible.
- 8.2.3.13 Use Table 8.1 to find the number of ports required to achieve the requisite velocity. (Source AWWA C651-14).

Table 8.1: Number of ports required to achieve velocity for flushing

Pipe Diameter (mm)	Minimum Velocity Required (m/s)	Required flow (L/s) for Minimum Velocity	Number of 50 mm taps Required	OR	No. of Hydrant Nozzles Required*	
					2.5"	4.5"
50	1.5	2.9	1		N/A	N/A
100	1.5	11.8	1		N/A	N/A
150	1.5	26.5	1		N/A	N/A
200	1.5	47.1	2		1	N/A
250	1.5	73.6	2		2	1
300	1.5	106.0	N/A		2	1
350	0.9	86.6	N/A		N/A	1
400	0.9	113.1	N/A		N/A	1
450	0.9	143.1	N/A		N/A	1

\*With a 280kPa residual pressure a hydrant flowing to atmosphere will discharge 63 L/s from a 2.5" nozzle and 158 L/s from a 4.5" steamer (Source: After AWWA C651-14).

- 8.2.3.14 The discharge from the flushing pipe can be quickly estimated ( $\pm 3$  L/s) from the following equation and Figure 8.1:

$$Q = \frac{5.5 \times 10^{-5} \cdot d^2 \cdot S_x}{\sqrt{S_y}}$$

Where:

Q = discharge, L/s

d = discharge nozzle inside diameter, mm

S<sub>x</sub> = the horizontal distance of discharge, mm

S<sub>y</sub> = the vertical distance from the ground to the centre or nozzle, mm



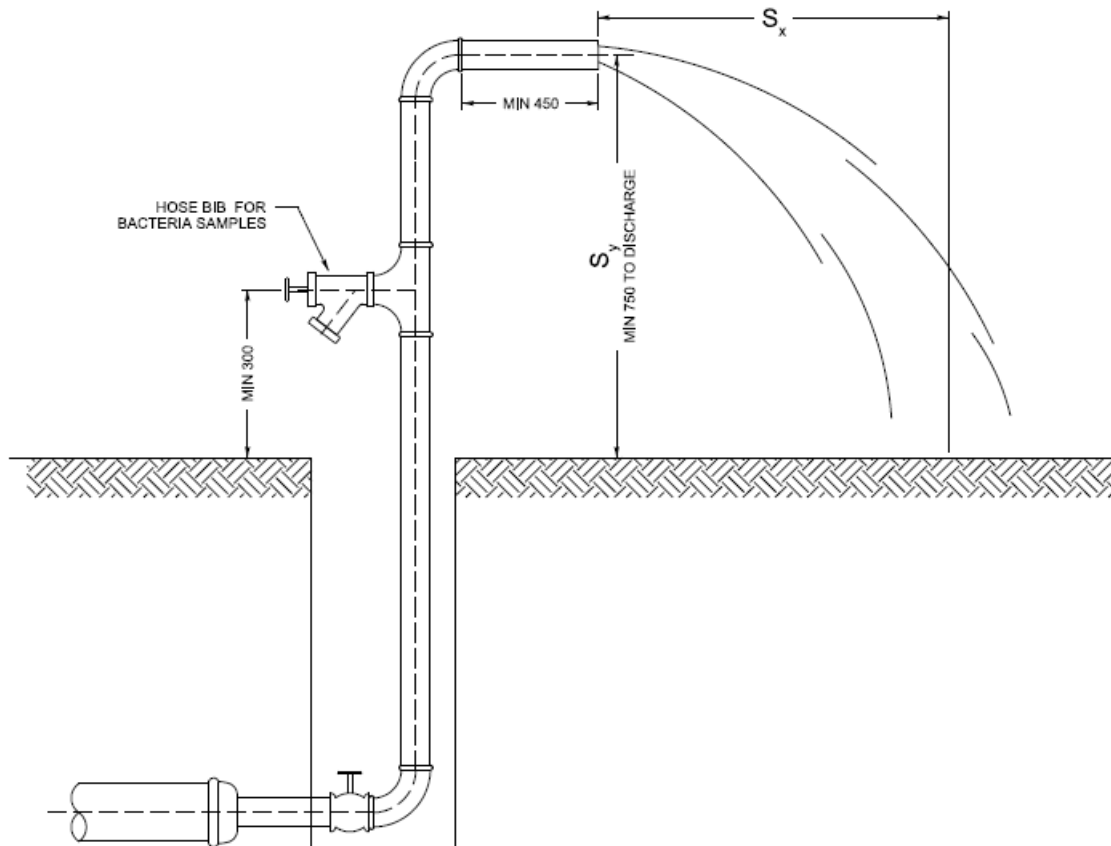


Figure 8.1: Estimating discharge from a hydrant or blowoff

### 8.3 HYDROSTATIC TESTING

#### 8.3.1 PURPOSE

- 8.3.1.1 The purpose of hydrostatic testing a new water main is to determine if the installation is capable of withstanding ordinary operating transient pressure conditions without failure or excessive leakage at the joints and service connections.
- 8.3.1.2 The guidelines are intended to provide the performance criteria and testing protocol necessary for routine hydrostatic testing to ensure that the new water main installation meets the design specifications.

#### 8.3.2 BACKGROUND ON HYDROSTATIC TESTING

- 8.3.2.1 Hydrostatic testing consists of slowly charging a new section of water main to the distribution system pressure from a boundary main. The valves are then closed on the test section. A tank of water and a purpose-specific pump are used to pressurize the main to the specified test pressure.
  - 8.3.2.1.1 The test is conducted for 2 hours during which time the pump is periodically operated to maintain the pressure at the specified level.
  - 8.3.2.1.2 The volume of water added to the water main from the tank is presumed to be equal to that which has leaked from the water main during the test.
  - 8.3.2.1.3 Figure 8.2 illustrates the conceptual layout of the apparatus required for hydrostatic testing.
- 8.3.2.2 Portland cement based materials such as concrete cylinder or cement-lined metallic pipes are porous and absorb water during the initial charging of the water main.
  - 8.3.2.2.1 A minimum of 24 hours of soaking is required to ensure that apparent water leakage is due to joints and service leakage, not the absorption of water by the pipe material.

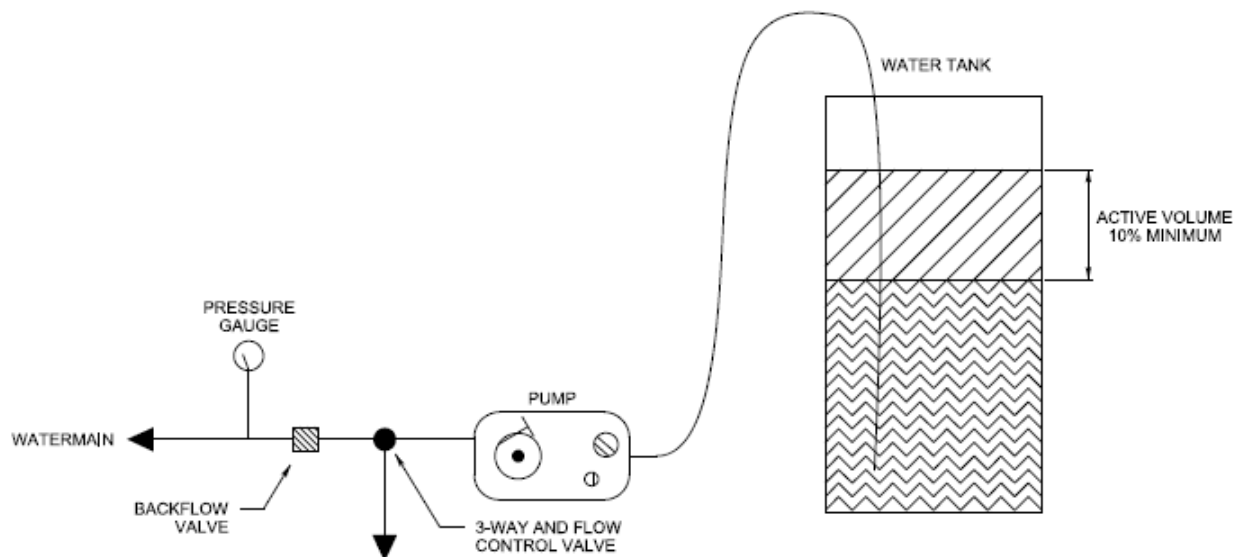


Figure 8.2: Apparatus for Hydrostatic Testing

8.3.2.3 The working pressure is defined as the highest pressure experienced by the system during hydraulic modelling between ADD, MDD, PHD, or special scenarios provided by EPCOR.

8.3.2.3.1 Design the working pressure at the low point and high point of the system as determined by the hydraulic network analysis.

### 8.3.3 REQUIRED EQUIPMENT

8.3.3.1 The specifications for required equipment for hydrostatic testing are listed below. Equipment must be dedicated to water main hydrostatic testing and must not be used for other construction activities.

8.3.3.1.1 ANSI Standard B40.1-1974 Grade A, or equivalent, Bourdon tube pressure gauge, range of 0 to 1400 kPa, with an accuracy of 1% of the full-scale reading, 7 kPa divisions, a minimum diameter of 90 mm, and a scale which can be read in an arc of 270° (Walski, 1984).

8.3.3.1.1.1 The pressure gauge must be calibrated and certified annually and the certification must be submitted with all test results.

8.3.3.1.2 Hand or motor-powered pump capable of meeting required test pressures including necessary plumbing accessories for preventing backflow and for enabling the flow rate to be controlled.

8.3.3.1.2.1 The pump should be provided with a pressure relief valve or should have an upper pressure limit of 1400 kPa.

8.3.3.1.3 Water storage tanks will be of non-corroding material.

8.3.3.1.3.1 The volume of the tank shall not be more than 10 times the allowable leakage for the duration of the test.

8.3.3.1.3.2 A depth gauge will be attached to the inside of the tank and will be calibrated for the volume of the tank.

## 8.4 PROCEDURE FOR HYDROSTATIC TESTING

### 8.4.1 GENERAL

8.4.1.1 The procedures for pressure and leakage testing are outlined in the following sections and are organized into two parts:

8.4.1.2 General Procedures (independent of pipe material and size); and

8.4.1.3 Procedures that are influenced by the pipe material and size.

- 8.4.2 GENERAL HYDROSTATIC TESTING PROCEDURES (INDEPENDENT OF PIPE MATERIAL AND SIZE)
- 8.4.2.1 Inform EPCOR inspectors of the date, time, and location of the hydrostatic test(s) at least 24 h prior to the test time.
- 8.4.2.1.1 **Failure to notify inspectors may result in the tests being rejected, requiring new tests to be completed.**
- 8.4.2.2 Inform all other construction crews or contractors that hydrostatic testing will be performed and ensure that no valves are being operated during the test.
- 8.4.2.3 Identify the section of water main to be hydrostatically tested:
- 8.4.2.3.1 Maximum length of distribution water main test sections will be 450m unless otherwise directed by EPCOR.
- 8.4.2.3.2 Maximum length of transmission water main test sections will be 800 m unless otherwise directed by EPCOR.
- 8.4.2.3.3 Each section will be made up of only one type of pipe material.
- 8.4.2.3.3.1 If there are different types of pipe materials within the section of main, each pipe material must be tested separately prior to connection with other materials, with the exception of PVC to steel spool pieces for valve assemblies.
- 8.4.2.3.3.2 Fused PVC and jointed PVC are considered different materials for the purposes of hydrostatic testing.
- 8.4.2.4 Ensure the proper installation of all:
- 8.4.2.4.1 Water services;
- 8.4.2.4.2 Air relief services (temporary and permanent);
- 8.4.2.4.3 Flush points; and
- 8.4.2.4.4 Blowoffs.
- 8.4.2.5 Ensure that main stops are open and curb stops are closed.
- 8.4.2.6 Inspect all hydrants to ensure that they are properly installed and that all nipples are threaded or locked in place.
- 8.4.2.7 Open all hydrant control valves in the test section and close all hydrant boot valves.
- 8.4.2.8 Ensure thrust blocks and other restraining devices are in place and properly cured according to Section 13.
- 8.4.2.9 Confirm any boundary valves for the project are fully closed (see Section 9).
- 8.4.2.10 Open all main valves within the test section.
- 8.4.2.11 Place sufficient backfill to prevent pipe movement. Do not place permanent surfacing prior to the acceptance of hydrostatic test results.
- 8.4.2.12 Fill and flush the water main according to Section 8.2.
- 8.4.2.13 Expel trapped air from the test section of water main by exhausting air at high points and dead-ends using existing air relief valves or temporary main stops.
- 8.4.2.14 Close all air relief valves and temporary main stops prior to testing.
- 8.4.2.15 Raise the water-main pressure to the appropriate test pressure (see the section for the appropriate pipe material) using either a hand or motor-powered pump located at a location approved by the EPCOR inspector. The hydrant valve will be completely opened and the flow rate will be controlled by the valve at the pump.
- 8.4.2.16 Mark the gauge and the level of water in the storage barrel at the beginning of the test.
- 8.4.2.17 Maintain the test pressure within  $\pm 20$  kPa of the specified test pressure for the duration of the test.
- 8.4.2.18 Pump the test section back to the test pressure at the end of the first 30 min. If the allowable leakage is exceeded, pressure test has failed. Correct cause(s) leading to test failure prior to starting new testing procedure.
- 8.4.2.19 At 30 min intervals during the test, walk along the test section and check for signs of leakage or distress at all exposed appurtenances or fittings.
- 8.4.2.20 Calculate the allowable makeup water allowance based on the appropriate pipe material equations.
- 8.4.2.20.1 No allowance can be made for services, appurtenances or in-line valves.
- 8.4.2.21 Determine if the hydrostatic test passes or fails:
- 8.4.2.21.1 For all tests, provide written notification of the hydrostatic test result to the EPCOR Water Inspector within 24 hours of completing the test.



8.4.2.21.2 For all tests that fail:

8.4.2.21.2.1 Provide verbal notification to the EPCOR Water Inspector immediately after completion of the test; and

8.4.2.21.2.2 Provide written notification to the EPCOR Water Inspector within 24 hours of completing the hydrostatic test outlining the schedule for completing the required repairs.

#### 8.4.3 SPECIFIC HYDROSTATIC TESTING PROCEDURES FOR POLYVINYL CHLORIDE

8.4.3.1 Refer to AWWA standard C605 and AWWA manual M23 for information on pressure and leakage testing.

8.4.3.2 Pressure capacity of PVC pipe involves of two types of pressure: internal hydrostatic pressure; and pressure transients during operation.

8.4.3.3 Temperature greatly influences the ability of PVC pipe to contain hydrostatic pressure. The AWWA C900 and C905 specifications are based on 23°C. Temperatures lower than this increase the hydrostatic pressure capacity. Alternatively, temperatures greater than 23°C decrease the pressure capacity.

8.4.3.4 PVC differs from other materials in that it can resist momentary excessive pressures better than sustained long-term excessive pressures.

8.4.3.5 Specific procedures for PVC pipe include all of the General Procedures (Section 8.4.1) plus the following:

8.4.3.5.1 Test pressure shall be determined as the highest of the following:

8.4.3.5.1.1 No less than 125% of the working pressure, as measured at the highest point in the test section.

8.4.3.5.1.2 No less than 150% of the working pressure measured at the lowest elevation of the test section.

8.4.3.5.1.3 1034 kPa (150 psi)

8.4.3.5.2 Test duration shall be a minimum of 2 hours.

8.4.3.5.3 Valves within the test section must not be operated for the duration for the pressure and leakage test.

8.4.3.5.4 The test pressure must not exceed the rated valve pressure (see AWWA C500) when resilient-seated gate valves or butterfly valves are at the pressure boundary.

8.4.3.5.5 Makeup water allowance shall be calculated from the following formula:

$$Q_m = \frac{LD\sqrt{P}}{795,000}$$

Where:  $Q_m$  = quantity of allowable makeup water, in liters per hour

L = Length of pipe section being tested, in meters

D = nominal diameter of the pipe, in millimeters

P = average test pressure during the test in kilopascals

#### 8.4.4 SPECIFIC HYDROSTATIC TESTING PROCEDURES FOR STEEL

8.4.4.1 Refer to AWWA C206 – Field Welding of Steel Water Pipe and AWWA Manual M11: *Steel Pipe – A Guide For Design and Installation* for information on pressure and leakage testing of steel water pipe.

8.4.4.2 Specific procedures for steel pipe include all of the General Procedures (Section 8.4.1) as modified by the following:

8.4.4.2.1 Per Section 8.3.2.2, fill cement mortar lined pipes with water 24 hours prior to hydrostatic testing.

8.4.4.2.2 Steel water pipe shall be hydrostatically tested for a duration of not less than 4 hours.

8.4.4.2.3 Test pressure shall be determined as the highest of the following:

8.4.4.2.3.1 No less than 125% of the working pressure, as measured at the highest point in the test section.

8.4.4.2.3.2 No less than 150% of the working pressure measured at the lowest elevation of the test section.

8.4.4.2.3.3 1034 kPa (150 psi).

8.4.4.2.4 Valves within the test section must not be operated for the duration for the pressure and leakage test.

8.4.4.2.5 The test pressure must not exceed the rated valve pressure (see AWWA C500) when resilient-seated gate valves or butterfly valves are at the pressure boundary.

8.4.4.2.6 There is no allowed leakage for the testing of welded steel water mains.

8.4.4.3 In addition to the above standard hydrostatic testing procedure, the following testing methods from AWWA may be permitted with approval from EPCOR:

8.4.4.3.1 Butt-welded joints and fillet welds can be tested with a vacuum box in accordance with Section 5.2.2.3 of AWWA C206 – Field Welding of Steel Water Pipe.

8.4.4.3.2 Double-welded lap joints can be tested by shop-drilling and tapping a 6.4 mm national pipe thread hole in the lap or bell end of the pipe and applying pressure to the annulus between the fillet welds. Procedures shall be in accordance with AWWA C206 – Field Welding of Steel Water Pipe Section 5.2.2.2.

8.4.4.4 Use of air or other gaseous mediums for pressure testing of steel water mains is not permitted in any circumstances.

#### 8.4.5 HYDROSTATIC TESTING PROCEDURES FOR ALL OTHER PIPE MATERIALS

8.4.5.1 A dedicated engineered testing process according to relevant AWWA standards must be developed for all other pipe materials, including but not limited to:

8.4.5.1.1 Ductile Iron Pipe;

8.4.5.1.2 High Density Polyethylene Pipe;

8.4.5.1.3 Reinforced Concrete Pressure Pipe (Steel Cylinder Type);

8.4.5.1.4 Reinforced Concrete Pressure Pipe (Non-cylinder Type);

8.4.5.1.5 Pre-stressed Concrete Pressure Pipe (Steel Cylinder Type); and

8.4.5.1.6 Concrete Pressure Pipe, Bar-Wrapped (Steel Cylinder Type).

#### 8.4.6 SPECIFIC HYDROSTATIC TESTING PROCEDURES FOR FIRE HYDRANTS

8.4.6.1 Acceptance testing of hydrants consists of hydrostatically testing the hydrant at main pressure and conducting a drainage test for dry-barrel hydrants. Consult the AWWA manual M17 for details on hydrant installation, testing, and maintenance.

8.4.6.2 Hydrostatic Testing of Fire Hydrants at Main Pressure

8.4.6.2.1 Remove the highest nozzle cap and open the hydrant boot valve a few turns to allow the water to rise in the barrel to the bottom of the nozzle.

8.4.6.2.2 Replace the nozzle cap securely, but leave it loose. Continue to charge the hydrant slowly, expelling the air through the loose cap.

8.4.6.2.3 Tighten the nozzle cap when all of the air has been expelled.

8.4.6.2.4 Open the hydrant boot valve completely.

8.4.6.2.5 Check visually for leakage at the flanges, nozzles, operating stem, O-rings, and at any joints on the hydrant body. Also use a listening device to detect any leaks below grade.

8.4.6.2.6 No leaks are permitted. Repair all faults and repeat the test.

8.4.6.3 Drainage Test for Dry-Barrel Hydrants

8.4.6.3.1 Following the pressure test, close the hydrant main valve.

8.4.6.3.2 Remove one nozzle cap and place the palm of one hand over the nozzle opening.

8.4.6.3.3 Drainage should be sufficiently rapid to create a noticeable suction.

8.4.6.3.4 If the hydrant fails the drainage test:

8.4.6.3.4.1 Partially open the hydrant with the nozzle caps on to create a pressure that will clear the drain valve.

8.4.6.3.4.2 If this fails, remove and inspect the drain valve assembly. If the drain valve is clear the drain outlet may be plugged from outside of the hydrant and will require digging down to clear the drain outlet

8.4.6.3.4.3 Repair all faults and repeat the test.



## 8.5 DISINFECTION

### 8.5.1 PURPOSE

- 8.5.1.1 The purpose of disinfection is to destroy pathogenic microorganisms, which may occupy the water main after construction is complete.
- 8.5.1.2 Chlorine is usually used as the disinfectant either as a compressed gas, calcium hypochlorite tablets/solution, or as a sodium hypochlorite (bleach) solution.
- 8.5.1.3 A performance criterion for water main disinfection has been specified using the American Water Works Association (AWWA) Standard C651. This standard comprehensively describes the minimum procedures to be followed when preparing a water main for disinfection, disinfecting the water main, testing for chlorine residual, and conducting bacteriological sampling. It refers to the latest edition of Standard Methods for the Examination of Water and Wastewater for detailed methods for testing water quality and chlorine residual.
- 8.5.1.4 Disinfection consists of the following four tasks:
  - 8.5.1.4.1 Preventing contamination of the new pipe during shipping, storage, and construction;
  - 8.5.1.4.2 Flushing the water main to remove loose debris and dirt which may have entered the water-main during construction. (**Do not** flush if hypochlorite tablets have been placed);
  - 8.5.1.4.3 Chlorination of the water main to destroy pathogenic microorganisms; and
  - 8.5.1.4.4 Bacteriological testing of the disinfected water to ensure that the microbiological water quality is adequate.

### 8.5.2 WATER MAIN PREPARATION

- 8.5.2.1 Water main flushing is the most common form of preparation for disinfection except where hypochlorite tablets have been used.
  - 8.5.2.1.1 The flushing flow rate should be sufficient to achieve a minimum velocity of 0.91 m/s or 1.5 m/s, depending on the water main diameter.
  - 8.5.2.1.2 Section 8.2 outlines the procedure for flushing water mains.

### 8.5.3 CHLORINATION

- 8.5.3.1 The choice of chemical to use for chlorination is limited to sodium hypochlorite or calcium hypochlorite.
- 8.5.3.2 There are two accepted methods for chlorinating new water mains (AWWA C651):
  - 8.5.3.2.1 Continuously fed sodium or calcium hypochlorite solution.
  - 8.5.3.2.2 Calcium hypochlorite tablets placed during construction. This method of chlorination requires approval by the Engineer prior to commencing construction.
- 8.5.3.3 Upon acceptance of the chlorine test results, the chlorinated water must be flushed from the main and dechlorinated following the procedure outlined in Section 8.7.
- 8.5.3.4 The water main must not be depressurized after chlorination is complete.
- 8.5.3.5 Continuous-Feed:
  - 8.5.3.5.1 The following procedure shall be followed if using the continuous feed chlorination method:
    - 8.5.3.5.1.1 Notify the EPCOR Water Inspector in writing 72 hours prior to commencing activities.
    - 8.5.3.5.1.2 Ensure all boundary valves are closed and stoppered.
    - 8.5.3.5.1.3 Identify a main stop and service connection or bleeder as indicated on the engineering drawings within 3 m of the boundary valve for chemical feed.
      - 8.5.3.5.1.3.1 **DO NOT** use fire hydrants for chemical feed. The high concentration chlorine solution will damage the hydrant.
    - 8.5.3.5.1.4 Under the supervision of the Inspector, open the discharge point and one boundary valve permitting water from the distribution system or other approved source to flow through the new water main at a constant, measured rate.
      - 8.5.3.5.1.4.1 Use a pitot gauge or a container of known volume and stop watch to calculate the rate of discharge.
      - 8.5.3.5.1.4.2 Refer to Section 9 for guidance on operating boundary valves.
    - 8.5.3.5.1.5 Slowly fill the water main, keeping the velocity below 0.3 m/s. Precautions shall be taken to ensure that air pockets are eliminated.

- 8.5.3.5.1.6 Flush the water main according to methods described in Section 8.2 to remove particulates.
- 8.5.3.5.1.7 Inject the chlorine solution into the water main at a point no more than 3 m (10 ft.) downstream from the beginning of the water main.
- 8.5.3.5.1.8 Feed the chlorine solution at a constant rate such that the water entering the main to be disinfected will have no less than 25 mg/L of free chlorine and no more than 50 mg/L of free chlorine.
- 8.5.3.5.1.8.1 Free chlorine concentrations shall be measured at regular time intervals to ensure appropriate concentration is achieved during filling.
- 8.5.3.5.1.8.2 Table 8.2 provides the amount of chlorine required for each 100 m of pipe for various pipe diameters.

Table 8.2: Chlorine required to produce 25 mg/L concentration in 100 m of water main

Pipe diameter, mm	100% chlorine, g/100 m <sup>‡</sup>	1% chlorine solution, L/100 m <sup>**</sup>
100	20	2.0
150	45	4.6
200	81	8.2
250	127	13
300	179	18
400	323	33

Source: (After AWWAC651-86)

\*1.5 kg Ca(OCl)<sub>2</sub> per 100 L

‡adjust for available chlorine of chemical used (see Appendix C for details)

- 8.5.3.5.1.9 Monitor the discharge location at regular intervals for chlorine residual using an approved field test kit. Discharge water must be dechlorinated. See Section 8.7 for dechlorination procedures.
  - 8.5.3.5.1.10 Chlorine application shall not cease until the entire main is filled with chlorinated water with a chlorine residual of no less than 25 mg/L.
  - 8.5.3.5.1.11 Operate all valves and hydrants within the test section to ensure they are disinfected.
  - 8.5.3.5.1.12 Once 25 mg/L residual has been achieved, stop flow and chlorine feed. Chlorinated water shall remain in the water main for no less than 24 hours.
  - 8.5.3.5.1.13 After 24 hours, test to confirm chlorine residual.
  - 8.5.3.5.1.13.1 If residual is less than 10 mg/L, flush and re-chlorinate.
  - 8.5.3.5.1.13.2 If the residual is more than 10 mg/L, the results are acceptable.
  - 8.5.3.5.1.14 Notify EPCOR Water Inspector in writing with the chlorine residual results and time of test within 4 hours of completing the test.
  - 8.5.3.5.1.15 Flush the heavily chlorinated water from the main, fittings, valves and branches until chlorine measurements meet normal system levels.
  - 8.5.3.5.1.15.1 Flushed water must be dechlorinated. See Section 8.7 for dechlorination procedures.
- 8.5.3.6 Calcium Hypochlorite Tablets:
- 8.5.3.6.1 The following procedure shall be followed if using the calcium hypochlorite tablet method:
    - 8.5.3.6.1.1 Notify the EPCOR Water Inspector in writing 72 hours prior to commencing activities.
    - 8.5.3.6.1.2 Ensure all boundary valves are closed and stoppered.
    - 8.5.3.6.1.3 **DO NOT** use the tablet method with solvent-welded plastic or screwed-joint steel since the joint chemicals are incompatible with calcium hypochlorite.
    - 8.5.3.6.1.4 Attach 5 gram calcium hypochlorite tablets to the inside and top of the water main using an adhesive that meets the requirements of NSF/ANSI 61.
    - 8.5.3.6.1.5 Place at least one tablet in each of the following locations:
      - 8.5.3.6.1.5.1 At the upstream end of each section of pipe to be disinfected, including branch lines;
      - 8.5.3.6.1.5.2 At 150 m intervals along the section of pipe to be disinfected;
      - 8.5.3.6.1.5.3 Within each hydrant lead; and
      - 8.5.3.6.1.5.4 Within each appurtenance.



8.5.3.6.1.6 The required number of 5 g tablets can be calculated from:

$$\text{No. of Tablets} = 6.28 \times 10^{-6} D^2 L$$

Where:

No. of Tablets must be rounded up to nearest whole tablet;

D = inside pipe diameter, mm

L = length of pipe being disinfected, m

8.5.3.6.1.7 If the tablets are attached before the pipe section is placed in the trench, their positions shall be marked on the pipe exterior to indicate that the pipe has been installed with the tablets at the top.

8.5.3.6.1.8 **DO NOT** flush the water main once the tablets are in place.

8.5.3.6.1.9 Slowly fill the water main after construction is complete, keeping the velocity below 0.3 m/s, to prevent disturbing the tablets. Precautions shall be taken to ensure that air pockets are eliminated.

8.5.3.6.1.10 The chlorinated water shall remain in the pipe for at least 24 hours at water temperatures greater than 5°C; if the water temperature is less than 5°C the contact time shall be increased to 48 hours.

8.5.3.6.1.11 After 24 (or 48) hours, test to confirm chlorine residual.

8.5.3.6.1.11.1 If residual is less than 0.2 mg/L, flush and re-chlorinate.

8.5.3.6.1.11.2 If the residual is more than 0.2 mg/L, the results are acceptable.

## 8.6 SAMPLING REQUIREMENTS

### 8.6.1 PURPOSE

8.6.1.1 The purpose of sampling a water main is to obtain information on the water quality in the pipe. The underlying assumption which is important is that the sample is representative of the water in the water main. Good sampling procedures are intended to provide the best opportunity for obtaining a representative sample.

### 8.6.2 GENERAL SAMPLING REQUIREMENTS

8.6.2.1 At least one sample of each type must be collected:

8.6.2.1.1 In 400 m intervals;

8.6.2.1.2 At the end of the water main; and

8.6.2.1.3 From each branch greater than one pipe length.

8.6.2.2 If trench water has entered the new main during construction or if, in the opinion of the Inspector, excessive quantities of dirt or debris have entered the new main, samples shall be taken at intervals of 60 m.

### 8.6.3 CHLORINE SAMPLING REQUIREMENTS

8.6.3.1 Chlorine sampling must be completed by trained and competent personnel and performed with a certified chlorine test kit appropriate for the chlorine levels.

8.6.3.1.1 High concentration chlorine residual shall be sampled at the beginning and end of the primary disinfection period at all sampling locations.

8.6.3.1.2 Low concentration chlorine residual shall be sampled once the water main has been flushed of the heavily chlorinated water at all sampling locations.

8.6.3.2 Chlorine test kits shall be calibrated every six months or per the manufacturer specifications, whichever is more frequent.

### 8.6.4 BACTERIOLOGICAL SAMPLING REQUIREMENTS

8.6.4.1 Samples shall be collected no less than 16 hours and no more than 7 days after the chlorine test has passed;

8.6.4.2 One set of samples shall be collected and delivered to the lab:

8.6.4.2.1 At the start of the sampling period; and

8.6.4.2.2 16 hours after the first set of samples were collected.

8.6.4.3 Absolutely no flushing can occur before or between the two sets of samples.



- 8.6.4.4 Sampling for bacteriological water quality parameters shall be done in such a way that prevents contamination from bacteria in or on air, soil, water, clothing, or any parts of the human body. The following procedure will ensure reliable results are obtained in the laboratory (Standard Methods for the Examination of Water and Wastewater):
- 8.6.4.4.1 Obtain approved bacteriological sample bottles and the appropriate forms for potable water sampling from the Provincial Laboratory of Public Health or the local Health Unit.
  - 8.6.4.4.2 Keep the bottles closed until immediately prior to obtaining the sample. These bottles are sterilized and contain a tablet of dechlorination reagent. **NEVER** rinse the sample bottles.
  - 8.6.4.4.3 **DO NOT** sample from fire hydrants. Use a service connection or blowoff especially designed for sampling the new water-main. Sample taps should be one-piece brass without aerators or other types of screens.
  - 8.6.4.4.4 **DO NOT** flush the water main prior to sampling.
    - 8.6.4.4.4.1 The bacteriological test is meant to be a representative sample of water quality after the 16 hours hold time has elapsed.
    - 8.6.4.4.4.2 Failure to adhere to this requirement will result in rejection of the sample results and requirement to re-start the testing process & timelines.
  - 8.6.4.4.5 Prior to filling the sample bottle, complete the Provincial Laboratory of Public Health Form PH 108 (example shown in Appendix A).
  - 8.6.4.4.6 Begin flowing water from the sample point at a very low flow rate.
  - 8.6.4.4.7 Carefully break the seal on the sample bottle cap and unscrew. Take great care not to contaminate the cap or the neck of the bottle with fingers or dirt.
  - 8.6.4.4.8 Avoiding splashes, cut the water stream with the sample bottle and fill it until there is a head-space of approximately 20 mm in the sample bottle (roughly to the shoulder of the sample bottle). Replace the cap securely.
  - 8.6.4.4.9 Shake the bottle 5 times to help the dechlorination reagent to dissolve.
  - 8.6.4.4.10 Remove the sample identification number from the Provincial Laboratory of Public Health Form PH 108 and attach it to the sample bottle.
  - 8.6.4.4.11 Bacteriological samples cannot be stored.
    - 8.6.4.4.11.1 If the sample cannot be delivered to the Provincial Laboratory within 1 h of sampling, use an iced cooler for storage during transport.
    - 8.6.4.4.11.2 In no case, should the samples be delivered to the Provincial Laboratory more than 6 h after the sample was collected.
    - 8.6.4.4.11.3 **NEVER** leave sample bottles in the sunshine or expose them to elevated temperatures.
  - 8.6.4.4.12 The bacteriological sampling results must be forwarded to the EPCOR Water inspector prior to the onsite commissioning and construction completion inspection.

## 8.6.5 TASTE AND ODOUR SAMPLING REQUIREMENTS

- 8.6.5.1 Contact the EPCOR Water Inspector in writing a minimum of 72 hours prior to planned sampling to coordinate the taste and odour sampling.

## 8.7 DECHLORINATION

### 8.7.1 GENERAL

- 8.7.1.1 The Developer and their Agents, Engineers and Contractors, are responsible for the water quality impacts of water discharged during construction activities, including dechlorination of water disposed as part of acceptance tests and disinfection.
- 8.7.1.2 Dechlorination must always be verified through field sampling of discharge waters.
- 8.7.1.3 Water discharged from the water distribution system and released to water bodies, either directly or indirectly (e.g., via the storm-water sewer system), is to be dechlorinated at the point of discharge in accordance with the applicable legislation.
  - 8.7.1.3.1 This includes dechlorination of water released due to main breaks once the risks to public safety and property damage have been controlled.

- 8.7.1.3.2 For water disposed to the sanitary sewer system, there are limits on the chlorine concentration and volume of water discharged as set by the City of Edmonton. Table 8.3 outlines the chlorine discharge limits.

Table 8.3: Chlorine Discharge Limits

Discharge Location	Total Cl <sub>2</sub> Concentration Limit	Source
Body of water (directly or via storm sewer)	0.5 µg/L	The Canadian Water Quality Guidelines for the Protection of Aquatic Life (Canadian Council of Ministers of the Environment, 1999)
Sanitary or Combined Sewer	5.0 mg/L	City of Edmonton Bylaw 18100 (2020)

The Canadian Water Quality Guidelines for the Protection of Aquatic Life (Canadian Council of Ministers of the Environment, 1999) sets a guideline residual chlorine concentration of 0.5 micrograms per litre (µg/L), which is below the reliable limits of detection (i.e., chlorine should be neutralized to the point where no chlorine is detected).

## 8.7.2 DECHLORINATION METHODS

- 8.7.2.1 Dechlorination may be performed by adding a neutralizing chemical to the chlorinated water as it is discharged.
- 8.7.2.2 Two common methods for applying the neutralizing chemicals are:
- 8.7.2.2.1 Continuous-feed, where neutralizing chemicals are applied at the point of water discharge; or
  - 8.7.2.2.2 Dechlorination tank, where chlorinated water is discharged to a tank then treated to dechlorinate. The tank may be mounted on a mobile trailer.
- 8.7.2.3 Depending on the method of dechlorination, the chemicals used may impact the dissolved oxygen concentration of receiving waters, which may be a concern for the aquatic health of receiving wetlands and/or creeks<sup>1</sup>.

## 8.7.3 CHLORINE NEUTRALIZING CHEMICALS

- 8.7.3.1 The choice and amount of dechlorination chemical will be impacted by project or site specific issues such as water release, temperatures, strength of chlorine, volume of water release and distance from receiving waters.
- 8.7.3.1.1 Table 8.4 below provides general information on various chlorine-neutralizing chemicals that can be used as guidance in the field.
  - 8.7.3.1.2 Refer to AWWA C655 for detailed information on standard industry practices for dechlorination.
  - 8.7.3.1.3 Note that the chemical reaction time may be temperature-dependent.
- 8.7.3.2 Follow all manufacturer's recommendations and safe work procedures when handling dechlorination chemicals.
- 8.7.3.3 Adhere to all applicable safety regulations including: Workplace Hazardous Materials Information System (WHMIS), Occupational Health and Safety (OH&S) and Transportation of Dangerous Goods (TDG).

<sup>1</sup> The Canadian Water Quality Guidelines for the Protection of Aquatic Life (Canadian Council of Ministers of the Environment, 1999) set a lowest acceptable concentration of dissolved oxygen in cold water of 9.5 milligrams per litre (mg/L) to protect aquatic life in their early life stages.

Table 8.4: Summary of Dechlorination Chemicals

Name of Chlorine-neutralizing chemical	Chemical formula	Approximate parts of chemical required to neutralize 1 part of chlorine	Comments*
Sulfur dioxide	SO <sub>2</sub>	1.1	<ul style="list-style-type: none"> <li>▫ Reducing agent; may deplete dissolved oxygen in the water.</li> <li>▫ Can reduce the pH of the water significantly.</li> <li>▫ Extremely irritating gas.</li> <li>▫ Best suited for use in treatment plants and pumping stations, not field use.</li> </ul>
Sodium bisulfite	NaHSO <sub>3</sub>	1.5	<ul style="list-style-type: none"> <li>▫ Reducing agent; depletes dissolved oxygen in the water.</li> <li>▫ Available as a white powder, granule or clear liquid solution.</li> <li>▫ Highly corrosive, and a skin, eye and respiratory tract irritant.</li> </ul>
Sodium sulfite	Na <sub>2</sub> SO <sub>3</sub>	1.8	<ul style="list-style-type: none"> <li>▫ Reducing agent; may deplete dissolved oxygen in the water.</li> <li>▫ Available in powder/crystalline and tablet form.</li> <li>▫ Dechlorination tablets are effective for constant, low flow rate chlorinated releases.</li> <li>▫ Currently used by EPCOR (LPD-CHLOR tablets).</li> <li>▫ Suitable for chlorine concentrations of less than 4 mg/L.</li> </ul>
Sodium thiosulfate	Na <sub>2</sub> S <sub>2</sub> O <sub>3</sub>	2.0 Varies with pH	<ul style="list-style-type: none"> <li>▫ Reducing agent; may deplete dissolved oxygen in the water.</li> <li>▫ Skin, eye, nose and throat irritant.</li> <li>▫ Low toxicity to aquatic species (USEPA toxicity study)</li> <li>▫ May react slowly and requires more time for dechlorination.</li> <li>▫ Over-dechlorination can encourage bacterial growth in the receiving streams.</li> </ul>
Ascorbic acid	C <sub>6</sub> H <sub>8</sub> O <sub>6</sub>	2.5	<ul style="list-style-type: none"> <li>▫ No known impact on dissolved oxygen.</li> <li>▫ May decrease pH of water.</li> <li>▫ Available in tablet form.</li> <li>▫ Skin, eye and lung irritant.</li> <li>▫ Store in a dry state and prepare solution at the time of use.</li> </ul>
Sodium Meta-bisulfite	Na <sub>2</sub> S <sub>2</sub> O <sub>5</sub>	1.4	<ul style="list-style-type: none"> <li>▫ Reducing agent; depletes dissolved oxygen in the water.</li> <li>▫ Available as crystal, powder or solution form.</li> <li>▫ Eye, throat, skin and lung irritant.</li> <li>▫ Used by EPCOR to neutralize super-chlorinated water during the commissioning of a 1500 mm transmission main at EL Smith.</li> </ul>
Calcium thiosulfate	CaS <sub>2</sub> O <sub>3</sub>	Varies with pH	<ul style="list-style-type: none"> <li>▫ No known impact on pH or dissolved oxygen.</li> <li>▫ Not toxic to aquatic species.</li> <li>▫ Over-dechlorination can cause high turbidity and encourage bacterial growth in the receiving streams.</li> <li>▫ Dechlorination reactions require nearly 5 minutes for complete neutralization.</li> <li>▫ Currently used by EPCOR for high chlorine concentrations (CAPTOR, 20 to 300 mg/L)</li> </ul>

\*Information sources: Tikkanen et al., Guidance Manual for Disposal of Chlorinated Water and AWWA C655

#### 8.7.4 FIELD SAMPLING

- 8.7.4.1 Verify that the water discharge stream is sufficiently dechlorinated to meet applicable legislation and bylaws via field sampling of residual chlorine concentration.



## **8.8 ACCEPTANCE TESTING RELATED LITERATURE**

- 8.8.1 AWWA, C651. Disinfecting for Water Mains. American Water Works Association, Denver, CO.
- 8.8.2 AWWA, Concrete pressure pipe. Manual M9, American Water Works Association, Denver, CO.
- 8.8.3 AWWA, Installation, operation, and maintenance of fire hydrants. Manual M17, American Water Works Association, Denver, CO.
- 8.8.4 AWWA, 1999. Maintaining distribution-system water quality. American Water Works Association, Denver, CO.
- 8.8.5 AWWA, PVC pipe - design and installation. Manual M23, American Water Works Association, Denver, CO.
- 8.8.6 Burman, N.P., 1987. Distribution systems. *Journal of Environmental Pathology, Toxicology, and Oncology*, 7(5/6): 279-302.
- 8.8.7 City of Edmonton Private Development Inspection and Testing Procedure. ISO-9001-94 (1997)
- 8.8.8 Gordon, G., Cooper, W.J., Rice, R.G., and Pacey, G.E. 1988. Methods of measuring disinfectant residuals. *Journal of the American Water Works Association* 80(9):94-108.
- 8.8.9 Greenberg, A.E., L.S. Clesceri, and A.D. Eaton editors. 1992. *Standard Methods for the Examination of Water and Wastewater*. 18th edition. Washington, DC: American Public Health Association, American Water Works Association, Water Environment Federation.
- 8.8.10 Health and Welfare Canada. Sixth Edition 1996. Guidelines for Canadian drinking water. Ottawa, Ontario.
- 8.8.11 Uni-Bell, Handbook of PVC pipe, design and construction, Uni-Bell Plastic Pipe Association, Dallas, TX.
- 8.8.12 Walski, T.M., 1984. Analysis of water distribution systems. Van Nostrand Reinhold Company, New York, NY.

**END OF SECTION**



PROVIDING MORE

# **Construction Standards**

## **Section 9 Boundary Valve Operation**

April 2021



## 9.1 PURPOSE

- 9.1.1 Boundary valves are valves which isolate new water-main construction from existing water-mains serving people with potable water. These valves protect the public from accidental contamination of their drinking water caused by backflow from contaminated water-mains or mains which have excessive residual chlorine concentrations. In addition, boundary valves prevent excessive hydrostatic pressure being applied to domestic water services during pressure testing of new water-mains. Care must be taken when opening and closing boundary valves to ensure that the water serving houses remains safe for consumption and that the customer is not inconvenienced.
- 9.1.2 Boundary valves may be on existing City property or in the new development. In some cases, the boundary valve may be one or more valves away from the development. Regardless of the boundary valve location, boundary valves should not be turned unless the operator fully understands the location and function of the valves.

## 9.2 OPERATING RULES

- 9.2.1 Water-main design drawings must have all boundary valves clearly marked prior to construction.
- 9.2.2 The Consultant is responsible for the operation of boundary valves in both new developments and renewal projects.
- 9.2.3 Prior to construction, the Consultant will designate a trained and competent site representative who will be responsible for ensuring that operation of boundary valves, pressure and leakage testing, and disinfection are properly performed.
- 9.2.4 Boundary valves will be closed and stoppered before construction starts as per the approved engineering drawings.
- 9.2.4.1 EPCOR Water Inspector must be onsite for the closing and stoppering of the valves.
- 9.2.4.2 Hazardous energy isolation devices must be installed in accordance with *Alberta Occupational Health and Safety Code Part 15 Managing the Control of Hazardous Energy*.
- 9.2.5 Have only one boundary valve open at one time to prevent backflows.
- 9.2.6 Valves 300 mm in diameter and smaller must be operated under the supervision of an EPCOR Water Inspector.
- 9.2.6.1 The EPCOR Water Inspector must be contacted a minimum of 48 hours in advance.
- 9.2.6.2 Additional notice may be required on a case by case basis.
- 9.2.7 Valves 350 mm in diameter and larger must be operated by EPCOR Water Operations Staff.
- 9.2.7.1 The EPCOR Water Inspector must be contacted a minimum of 72 hours in advance to make arrangement for the operation of these valves.
- 9.2.7.2 Additional notice may be required on a case by case basis.
- 9.2.8 Boundary valves must remain closed and stoppered until new water mains are accepted, except for the following construction activities:
- 9.2.8.1 Filling water mains for wet-tapping of services;
- 9.2.8.2 Hydrostatic testing; and
- 9.2.8.3 Disinfection and subsequent flushing.
- Notice must be provided to the EPCOR Water Inspector prior to the commencement of these activities. Boundary valve management in accordance with Section 9.2.6 and 9.2.7 must be completed.
- 9.2.9 The Consultant is responsible for obtaining approval from the EPCOR Water Inspector to operate and change the status of any boundary valves. The Inspector must be onsite to witness any operation or changes in status.

**END OF SECTION**



PROVIDING MORE

# **Construction Standards**

## **Section 10 PVC Tapping Guidelines**

April 2021

## 10.1 GENERAL

- 10.1.1 This section covers the guidelines for the tapping of PVC potable water pipe manufactured to AWWA Standards C900 and C905.
- 10.1.2 EPCOR presently uses C900 and C905 pipe in 150 mm to 300 mm and 350 mm to 1200 mm nominal diameters respectively.
- 10.1.3 The intent of these guidelines is not to provide detailed field instructions but to highlight critical aspects of tapping and to clarify EPCOR's position on tapping equipment and procedures.
  - 10.1.3.1 The manufacturer's recommended installation procedure is to be obtained for all materials installed.
  - 10.1.3.2 In the case of discrepancy between the manufacturer's requirements and these specifications, advise EPCOR and request instruction before proceeding.
- 10.1.4 The critical aspects of tapping equipment and procedures which are covered in the guidelines, and to which specific attention should be paid, are:
  - 10.1.4.1 Using the proper shell cutter, in good condition;
  - 10.1.4.2 Using a drilling machine with a feed nut independent of the boring bar;
  - 10.1.4.3 Monitoring the depth of the cut;
  - 10.1.4.4 Observing minimum 600 mm from pipe ends, minimum 600 mm separation and 30 degree stagger;
  - 10.1.4.5 Avoid distorting the pipe when mounting the tapping machine;
  - 10.1.4.6 Cutting and tapping at a slow and steady feed rate;
  - 10.1.4.7 Always retrieving the coupon;
  - 10.1.4.8 Checking for leaks;
  - 10.1.4.9 Tapping of curved pipe under pressure may increase the possibility of failure during tapping;
    - 10.1.4.9.1 Whenever practicable, taps should be made on the inside radius of longitudinally bent pipe; and
  - 10.1.4.10 OH&S due diligence regarding the specific hazards of this task.

## 10.2 RESOURCES

- 10.2.1 Unless otherwise designated, all specifications and standard references refer to the latest edition.
  - 10.2.1.1 AWWA C605 – Underground Installation of Polyvinyl Chloride (PVC) Pressure Pipe and Fittings for Water
  - 10.2.1.2 AWWA M23 – PVC Pipe—Design and Installation
  - 10.2.1.3 Uni-Bell Handbook of PVC Pipe Design and Construction
  - 10.2.1.4 Uni-Bell UNI-PUB-08-16 – PVC Pressure Pipe Tapping Guideline
  - 10.2.1.5 Manufacturer/Supplier Manual/Installation Guide for the specific tapping equipment used
- 10.2.2 The training video, "Tapping PVC Pressure Pipe" by the Uni-Bell PVC Pipe Association is mandatory for all personnel directly involved in the tapping of PVC pipe.
- 10.2.3 For further details on equipment and procedures, please contact the specific suppliers of the pipe materials and the tapping equipment that are in use on the job site.

## 10.3 CONSIDERATIONS

- 10.3.1 RISK OF TRENCH FLOODING
  - 10.3.1.1 The Contractor should be aware of the specific hazards pertaining to working around pressurized water mains. There is a risk of rapid ingress of a large volume of water into an excavation in the event of a failure.
  - 10.3.1.2 Ladders extending above the trench wall should be easily accessible by all personnel.
  - 10.3.1.3 It is recommended that all of the water main isolating valves on either side of the proposed tap be closed, except for one which may be left minimally opened, so that the effect of any failure will be mitigated.
  - 10.3.1.4 Prior to the tap, the water main isolating valves must be located and contingency plans made for their immediate shut off should a failure occur.
  - 10.3.1.5 Follow notification requirements outlined in Section 2.3.8.
  - 10.3.1.6 Contact the EPCOR Water Inspector a minimum of 48 hours in advance of valve operations.
    - 10.3.1.6.1 Refer to Section 9 for guidance on operating boundary valves.



10.3.1.7 A protective blanket with a hole in the center to permit installation of the tapping machine should be used to cover the exposed area of the pipe.

10.3.2 TAPPING CATEGORIES

10.3.2.1 Table 10.1 based on the existing field parameters such as the pipe type, pipe size, tap type and tap size.

Table 10.1: Pipe tapping categories

Category	Pipe Type	Pipe Size (mm)	Tap Diameter (mm)	Tap Type	Type Allowable
1	AWWA C900	100 to 300	20,25	direct	wet
2	AWWA C900	100 to 300	40,50	saddle	wet
3	AWWA C900	100 to 300	150 to 300	sleeve	wet
4	AWWA C905	350 to 600	20,25,40,50	saddle	dry or isolated wet
5	AWWA C905	350 to 1200	150 to 750	sleeve	wet

10.3.2.2 Equipment specifications and procedures for each category are generally described in Table 10.2, Table 10.3, and Table 10.4.

10.3.2.3 Direct and saddle dry tapping will be allowed only on a site specific basis, with the prior review and documented approval of the EPCOR Water representative.

10.3.2.3.1 The Contractor must demonstrate that dry tapping is the best practice for the specific conditions.

10.3.2.3.2 Examples of conditions that may support dry tapping include sub-zero ambient temperature and limited working space in shored excavations.

10.3.2.4 The Contractor must ensure that the tapping machines, drill bits, shell cutters and associated equipment are properly maintained and in sound working condition, for safe operation.

10.3.2.5 The Contractor must ensure that personnel are properly trained and are competent to operate the equipment and perform the task completely and safely.

10.3.2.6 For more information, please reference the Uni-Bell PVC Pipe Association's *PVC Pressure Pipe Tapping Guideline*, available from the Uni-Bell website.

Table 10.2: Pipe tapping equipment and procedures for Category 1

EQUIPMENT	PROCEDURE	
<p><b>Pipe</b></p> <ul style="list-style-type: none"> <li>- AWWA C900 PVC, DR 18, DR 14</li> <li>- C.I.O.D.</li> <li>- Allowable temperature bands:               <ul style="list-style-type: none"> <li>-18°C to 38°C (dry tap)</li> <li>0°C to 32°C (wet tap)</li> </ul> </li> </ul>	<p><b>I. Planning</b></p> <ul style="list-style-type: none"> <li>- Do not tap closer than 600 mm from the end of the pipe.</li> <li>- Stagger multiple taps at least 600 mm apart with adjacent taps and offset 30° with respect to each other</li> <li>- Do not tap a discolored surface.</li> <li>- Do not tap a curved pipe where bend radius is less than 300 times the pipe O.D.</li> <li>- Check the cutter condition. It should be in good condition and be kept sharp.</li> <li>- Determine tapping depth. Perform "bench" test and note position of top of threaded feed sleeve relative to thrust collar or other datum point</li> </ul>	
<p><b>Main Stop</b></p> <ul style="list-style-type: none"> <li>- AWWA C800 (tapered) inlet thread</li> </ul>	<p><b>IV. Inserting Main Stop</b></p> <ul style="list-style-type: none"> <li>- Attach an E-Z screw plug to the end of the boring bar.</li> <li>- Screw mainstop into E-Z release plug.</li> <li>- Ensure main stop is closed.</li> <li>- Apply 2 spiral wraps of "Teflon" tape clockwise to the inlet threads of the mainstop. Do not use liquid sealants.</li> <li>- Replace boring bar in machine and proceed to insert mainstop into pipe. Exercise care and do not force or punch first few threads.</li> <li>- Remove ratchet handle as soon as stop has firmly engaged the threads in the pipe wall.</li> </ul>	
<p><b>Saddle or Sleeve</b></p> <ul style="list-style-type: none"> <li>- not required</li> </ul>	<p><b>II. Machine Mounting</b></p> <ul style="list-style-type: none"> <li>- Sit machine firmly on drilling site. The pipe should not be distorted as a result of mounting machine</li> <li>- Adjust nuts on chain hooks so nuts are even with tops of threads. Position chain hooks on machine and loop chain links snugly. This process should ensure that machine remains correctly seated in the saddle and saddle gasket.</li> <li>- Tighten nuts alternately so the same number of threads show when the machine is correctly mounted. Over-tightening on one side may distort the pipe wall. Tighten only enough to hold machine in place - no more.</li> <li>- Do not use wrench extenders.</li> </ul>	
<p><b>Tapping Machine</b></p> <ul style="list-style-type: none"> <li>- Standard ratchet handle on boring bar</li> <li>- Feed nut or feed screw and yoke</li> <li>- Machine saddle must be compatible with pipe O.D.</li> <li>- Acceptable machines are:               <ol style="list-style-type: none"> <li>1. Footage Tool/Mainline Tap</li> <li>2. Mueller/B-100, B, A2, A3</li> <li>3. Romac/Transmate B-1</li> </ol> </li> </ul>	<p><b>III. Cutting and Tapping</b></p> <ul style="list-style-type: none"> <li>- Rotate ratchet handle 1 complete turn for every 1/8 turn of feed yoke. A slow feed rate will help to ensure a good tap.</li> <li>- The use of a cutting lubricant is recommended. If an increase in boring bar resistance is encountered, remove the boring bar, clean shavings out of the cutter, re-lubricate and resume cutting</li> <li>- On wall penetration use feed yoke to engage first few turns of tapping tool in the hole. Feed yoke can be disengaged at this point.</li> <li>- The feed rate should be less in cold weather. Judge correct feed rate by "finger pull".</li> <li>- Tap remainder of hole and re-engage feed yoke when reversing tapping tool until tap clears threads.</li> <li>- Examine PVC coupon for abnormalities</li> </ul>	
<p><b>Shell Cutter or Tapping Tool</b></p> <ul style="list-style-type: none"> <li>- Must be classified as a core cutting tool</li> <li>- Double or multiple slot design</li> <li>- Must retain coupon</li> <li>- Must have sufficient throat depth to accommodate DR14 pipe wall</li> <li>- Shank of cutter must be adaptable to the tapping machine</li> <li>- Acceptable cutters/tapping tools are:               <ol style="list-style-type: none"> <li>1. Utility Services/4 point</li> <li>2. Anderson Metals Combination Cutter and Tap</li> <li>3. Romac/Transmate 353-04-206/351-01-206, 353-04-208/351-01-208</li> </ol> </li> </ul>	<p><b>V. Dry Tapping</b></p> <ul style="list-style-type: none"> <li>- Follow the procedures as outlined above with the following exceptions:               <ol style="list-style-type: none"> <li>1. Remove cuttings from hole before inserting mainstop.</li> <li>2. Insert the mainstop by hand.</li> <li>3. Do not cross-thread Teflon-wrapped threads.</li> </ol> </li> </ul>	

Table 10.3: Pipe tapping equipment and procedures for Categories 2 and 4

EQUIPMENT		PROCEDURE
<p><b>Pipe</b></p> <ul style="list-style-type: none"> <li>- AWWA C900, DR18, DR14</li> <li>- AWWA C905 PVC, DR25</li> <li>- C.I.O.D.</li> <li>- Allowable temperature bands:               <ul style="list-style-type: none"> <li>-18°C to 38°C (dry tap)</li> <li>0°C to 32°C (wet tap)</li> </ul> </li> </ul>	<p><b>Tapping Machine</b></p> <ul style="list-style-type: none"> <li>- Standard ratchet handle on boring bar</li> <li>- Feed nut or feed screw and yoke</li> <li>- Machine saddle must be compatible with pipe O.D.</li> <li>- Acceptable machines are:               <ol style="list-style-type: none"> <li>1. APAC/Drillmaster 901</li> <li>2. Footage Tool/Main line tap, Mini tap</li> <li>3. Ford/77</li> <li>4. Mueller/D5, E5</li> <li>5. Romac/Transmate 5930, 5935</li> </ol> </li> </ul>	<p><b>I. Planning</b></p> <ul style="list-style-type: none"> <li>- The following procedures are for dry and wet tapping.</li> <li>- Prior approval from EPCOR is required for dry tapping.</li> <li>- Do not tap closer than 600 mm from the end of the pipe.</li> <li>- Stagger multiple taps at least 600 mm apart with adjacent taps and offset 30° with respect to each other</li> <li>- Do not tap a discolored surface.</li> <li>- Do not tap a curved pipe where bend radius is less than 300 times the pipe O.D.</li> <li>- Check the cutter condition. It should be in good condition and be kept sharp.</li> </ul>
<p><b>Main Stop</b></p> <ul style="list-style-type: none"> <li>- AWWA C800 (tapered) inlet thread</li> </ul>	<p><b>Shell Cutter</b></p> <ul style="list-style-type: none"> <li>- Must be classified as a core cutting tool</li> <li>- Double or multiple slot design</li> <li>- Must retain coupon</li> <li>- Must have sufficient throat depth to accommodate DR14 pipe wall</li> <li>- Shank of cutter must be adaptable to the tapping machine</li> <li>- Acceptable cutters/tapping tools are:               <ol style="list-style-type: none"> <li>1. Footage Tools/T500-2, T700-2, T408-11, T409-11</li> <li>2. Ford/DMSC3, DMSC4, DMHS-6, DMHS-7</li> <li>3. Pipeline Products PWL 3/4, 1, 1 3/4, 2 4.</li> <li>4. Romac/Transmate 351-01-206, 350-01-208, 351-01-212, 35-01-216</li> <li>5. Utility Services/4 point</li> </ol> </li> </ul>	<p><b>II. Machine Mounting</b></p> <ul style="list-style-type: none"> <li>- Evenly tighten saddle to pipe. Install as per manufacturer's instructions and do not over-tighten.</li> <li>- Apply thread sealant and screw inlet side of main stop into the saddle. Retain stop hardware.</li> <li>- Do not use liquid sealants.</li> <li>- Use an appropriate adapter and gasket.</li> <li>- Attach drilling machine to main stop outlet threads. Ensure main stop is open.</li> </ul> <p><b>III. Cutting and Tapping</b></p> <ul style="list-style-type: none"> <li>- Rotate ratchet handle 1 complete turn for every 1/8 turn of feed yoke. A slow feed rate will help to ensure a good tap.</li> <li>- The feed rate should be less in cold weather. Judge correct feed rate by "finger pull".</li> <li>- The use of a cutting lubricant is recommended.</li> <li>- Withdraw cutter and close main stop.</li> <li>- Remove drilling machine.</li> <li>- Examine PVC coupon for abnormalities.</li> </ul>
<p><b>Saddle</b></p> <ul style="list-style-type: none"> <li>- Provide full support around pipe circumference</li> <li>- Have total minimum band width of 50 mm (2 inches)</li> <li>- Should not have lugs that dig into pipe when saddle is tightened</li> <li>- Should not have U-bolt type of strap</li> </ul>		

Table 10.4: Categories 3 and 5 pipe tapping equipment and procedures

EQUIPMENT			PROCEDURE																																			
<p><b>Pipe</b></p> <ul style="list-style-type: none"> <li>- AWWA C900, DR18, DR14</li> <li>- AWWA C905 PVC, DR25</li> <li>- C.I.O.D.</li> <li>- Allowable temperature bands:                -18°C to 38°C (dry tap)                0°C to 32°C (wet tap)</li> </ul>	<p><b>Tapping Machine</b></p> <ul style="list-style-type: none"> <li>- Must be compatible with tapping valve being used.</li> <li>- Should have an automatic over travel protection device which disengages tool feed.</li> <li>- Acceptable machines are:</li> </ul> <ol style="list-style-type: none"> <li>1. Mueller/CL-12, CC25, C1-36</li> <li>2. Romac/Transmate Tapmate</li> <li>3. T.D. Williamson Model 660</li> </ol>		<p><b>I. Planning</b></p> <ul style="list-style-type: none"> <li>- An EPCOR Water Inspector must be on site to witness the tap.</li> <li>- Check the cutter condition. It should be in good condition and be kept sharp.</li> </ul>																																			
<p><b>Valve</b></p> <ul style="list-style-type: none"> <li>- Should be AWWA C500 or C509 tapping valve</li> </ul>	<p><b>Shell Cutter</b></p> <ul style="list-style-type: none"> <li>- Must be a toothed core cutter which retains the coupon.</li> <li>- Must have sufficient throat depth to accommodate DR14 pipe wall</li> <li>- Acceptable cutters are:</li> </ul> <ol style="list-style-type: none"> <li>1. Footage Tools T376-11, T320-1, T321-1, T322-1, T323-1</li> <li>2. Romac/Transmate 350-01-1032, 350-01-1048, 350-01-1064, 350-01-1080, 350-01-1096</li> <li>3. T.D. Williamson Insert Tip Shell Cutter</li> <li>4. Utility Services</li> </ol>		<p><b>II. Sleeve Mounting</b></p> <ul style="list-style-type: none"> <li>- Install as per manufacturer's instructions.</li> <li>- Ensure no pipe distortion occurs.</li> <li>- Sleeve should be well supported independently from pipe.</li> <li>- In the absence of manufacturer's instructions, minimize bolt torque to 25 foot-pounds and adjust as necessary in field.</li> </ul>																																			
<p><b>Sleeve</b></p> <ul style="list-style-type: none"> <li>- Should provide full support around pipe circumference.</li> <li>- Should not distort pipe when tightened.</li> <li>- Should not have lugs that will dig into pipe when sleeve is tightened.</li> <li>- Should not have a clamping arrangement which is not fully contoured to pipe O.D.</li> <li>- Should have the following laying lengths:</li> </ul> <table border="1"> <thead> <tr> <th>Main (mm)</th> <th>Tap (mm)</th> <th>Length (mm)</th> </tr> </thead> <tbody> <tr><td>150</td><td>150</td><td>457</td></tr> <tr><td>200</td><td>150</td><td>483</td></tr> <tr><td>200</td><td>200</td><td>533</td></tr> <tr><td>250</td><td>150</td><td>483</td></tr> <tr><td>250</td><td>200, 250</td><td>584</td></tr> <tr><td>300</td><td>150</td><td>483</td></tr> <tr><td>300</td><td>200</td><td>533</td></tr> <tr><td>300</td><td>250, 300</td><td>635</td></tr> <tr><td>450</td><td>150 to 450</td><td>*</td></tr> <tr><td>600</td><td>150 to 600</td><td>*</td></tr> <tr><td>750</td><td>150 to 750</td><td>*</td></tr> </tbody> </table> <p>* contact pipe manufacturers for recommended laying lengths</p>	Main (mm)	Tap (mm)	Length (mm)	150	150	457	200	150	483	200	200	533	250	150	483	250	200, 250	584	300	150	483	300	200	533	300	250, 300	635	450	150 to 450	*	600	150 to 600	*	750	150 to 750	*	<p><b>III. Machine Mounting and Cutting</b></p> <ul style="list-style-type: none"> <li>- Bolt adaptor to front of machine and to valve outlet flange.</li> <li>- A slow feed rate will help to ensure a good tap, feed rate should not exceed .08 mm per revolution of cutter</li> <li>- The use of a cutting lubricant is recommended.</li> <li>- Position the necessary support blocks to level valve.</li> <li>- Open the tapping valve.</li> <li>- Cut hole into water main through sleeve by following manufacturer's instructions.</li> <li>- Retract cutter, close tapping valve and remove tapping machine.</li> </ul>	
Main (mm)	Tap (mm)	Length (mm)																																				
150	150	457																																				
200	150	483																																				
200	200	533																																				
250	150	483																																				
250	200, 250	584																																				
300	150	483																																				
300	200	533																																				
300	250, 300	635																																				
450	150 to 450	*																																				
600	150 to 600	*																																				
750	150 to 750	*																																				

**10.4 ACCEPTANCE GUIDELINES FOR TAPPING VALVES AND SLEEVES (TVS)**

- 10.4.1 EPCOR does not take responsibility of tapping valves until the warranty period expires.
- 10.4.2 Improper use of any boundary valves before or after the warranty period can result in system wide problems. Refer to Section 9 for guidance on boundary valve operation.
- 10.4.3 Installation of TVS's should follow good water works practices including swabbing the pipe at the tapping location, tapping valve, and tapping sleeve with 1% chlorine bleach solution prior to assembling the TVS.
- 10.4.4 Support for the tapping sleeve and thrust blocks shall be provided per the Engineer's specification.

**END OF SECTION**



PROVIDING MORE

# **Construction Standards**

## **Section 11 Product Approval Procedures**

April 2021

## 11.1 GENERAL

### 11.1.1 SCOPE

11.1.1.1 This section covers the procedures for the approval of products to be used in Edmonton's potable water distribution system. The information has been broken down into the following segments:

- 11.1.1.1.1 Product Approval Procedures, which shall act as guidelines for processing applications from manufacturers or distributors who wish to have their product approved;
- 11.1.1.1.2 Product Evaluation Form, which is to be completed by the manufacturer or distributor prior to their application; and
- 11.1.1.1.3 Approved Products List, which is updated by EPCOR to show the products approved for use in the City of Edmonton.

## 11.2 PRODUCT APPROVAL PROCEDURES

### 11.2.1 APPLICATION

11.2.1.1 The manufacturer or distributor is to submit a Product Evaluation Form available from EPCOR's website along with a covering application letter to the Manager of Engineering and Development, Distribution Technical Services, EPCOR Water Services.

- 11.2.1.1.1 Email applications to [WaterProductApprovals@epcor.com](mailto:WaterProductApprovals@epcor.com)

11.2.1.2 The applicant shall:

- 11.2.1.2.1 Provide permanent representation in the province of Alberta for the product under consideration;
- 11.2.1.2.2 Co-operate in the submission of product documentation necessary to evaluate the product;
- 11.2.1.2.3 Assume all incidental costs (such as testing by a third party) to demonstrate compliance with EPCOR Water specifications; and
- 11.2.1.2.4 Attach all drawings, photographs, catalogues, warranties, notarized affidavits of compliance, etc.

### 11.2.2 REVIEW

11.2.2.1 EPCOR will review the suitability of the product by:

- 11.2.2.1.1 Soliciting comments from sections within the corporation.
- 11.2.2.1.2 Reviewing all promotional details provided by the manufacturer/distributor.
- 11.2.2.1.3 Soliciting comments from agencies outside of the corporation such as:
  - 11.2.2.1.3.1 The City of Edmonton Construction Branch
  - 11.2.2.1.3.2 The City of Edmonton Materials Engineering
  - 11.2.2.1.3.3 Testing Agencies
  - 11.2.2.1.3.4 Private Contractors
  - 11.2.2.1.3.5 Other Municipalities
- 11.2.2.1.4 Meeting with suppliers as necessary.
- 11.2.2.1.5 Conducting field trials or pilot installations.

### 11.2.3 APPROVAL/REJECTION

11.2.3.1 Approval can be granted to a product on a temporary, conditional, or trial basis based on the results of the review.

11.2.3.2 All approvals will be communicated via written notification to the requesting manufacturer or distributor.

- 11.2.3.2.1 Copies of this notification will also be forwarded to the EPCOR Supply Chain Management, the City of Edmonton and other interested parties when required.

11.2.3.3 EPCOR reserves the right to reject any product submitted for approval based on inadequate results or suitability discovered during the review process.

- 11.2.3.3.1 Rejection of a product along with a full explanation will be communicated to the requesting manufacturer or distributor via written notification.

11.2.3.4 Temporary, conditional or trial approval will be issued in writing with a start and end date.

- 11.2.3.4.1 Prior to the end date documented trial results and field experience will be gathered and reviewed.
- 11.2.3.4.2 At the end date following the review, a permanent approval, a rejection, or a further temporary, conditional or trial approval may be issued.

#### 11.2.4 APPEALS

- 11.2.4.1 All requesting manufacturers or distributors have the right to appeal the rejection of their product.
- 11.2.4.2 An appeal can be made by forwarding supporting evidence along with a cover letter that rebuts the statements made in the letter of rejection.
  - 11.2.4.2.1 Upon receiving this letter, EPCOR will review the product again, and issue a written decision.
- 11.2.4.3 If a product is accepted upon appeal, a temporary or conditional approval will be issued for a 1-year time frame.
  - 11.2.4.3.1 After this period, a review will occur at which time a permanent approval may be issued.
- 11.2.4.4 If a product is rejected upon appeal, the manufacturer or distributor cannot re-submit the same product for approval unless a three year time period has passed and there has been significant upgrades to the product that warrant a new review, by EPCOR's judgement.

#### 11.2.5 REQUIRED NOTIFICATION

- 11.2.5.1 EPCOR Water Services must be notified by the manufacturer or distributor of any change to an approved product. This includes, but is not limited to, a change in the following:
  - 11.2.5.1.1 Material, available diameter or performance rating;
  - 11.2.5.1.2 Manufacturing process;
  - 11.2.5.1.3 Design or configuration;
  - 11.2.5.1.4 Part number; or
  - 11.2.5.1.5 Availability.
- 11.2.5.2 Significant changes may result in the need for a new evaluation, review and approval.

#### 11.2.6 REMOVAL OF A PRODUCT FROM THE APPROVED MATERIALS LIST

- 11.2.6.1 EPCOR Water services reserves the right to remove any product from the approved materials list that
  - 11.2.6.1.1 No longer meets the current standards;
  - 11.2.6.1.2 Has, after initial approval, undergone a change to design or configuration that renders the product incompatible with other EWSI approved products;
  - 11.2.6.1.3 Has received numerous documented complaints from contractors or staff;
  - 11.2.6.1.4 Is found to be below the standard of similar products that are readily available; or
  - 11.2.6.1.5 Is no longer reasonably available.
- 11.2.6.2 The applicable supplier will be contacted in writing prior to product removal in order to provide them with the opportunity to respond to complaints, comments or issues.
- 11.2.6.3 The applicable supplier will be provided with documentation supporting the decision to remove the product from the list.

### 11.3 APPROVED PRODUCT LIST

#### 11.3.1 WATER SERVICES

Table 11.1: Main Stops - Select connections to suit Service Tubing material

Manufacturer	Model/Type	Size (mm)	Remarks
Cambridge Brass	301Series	20 to 50	AWWA C800 Compression or Kitec ends
Ford	FB, QJ and QJNK Series	20 to 50	AWWA C800 Compression or Kitec ends
Mueller	B2500 Series	20 to 50	AWWA C800 Compression or Kitec ends

Table 11.2: Service Saddles (Includes Tapped Repair Clamps)

Manufacturer	Model/Type	Size (mm)	Remarks
Cambridge Brass	810, 811, and 812 Series	Tapped Outlet 20 to 50 Pipe Size 100 to 300	AWWA C800 Service Saddles
Canada Pipeline Acc.	CR8	Tapped Outlet 20 to 50 Pipe Size 100 to 300	Tapped Boss Repair Clamp
Canada Pipeline Acc.	SC1	Tapped Outlet 20 to 50 Pipe size 100 to 300	AWWA C800 Service Saddle
Canada Pipeline Acc.	SC2	Tapped Outlet 20 to 50 Nom. Pipe OD 100 to 400	AWWA C800 Service Saddle
Robar	2406, 2408, 2506, 2616, 2626, 2706	100 to 600	AWWA C800 Service Saddles
Romac	200 Series	100 to 400	AWWA C800 Service Saddles
Romac	300 Series	100 to 750	AWWA C800 Service Saddles
Romac	SS1	Tapped Outlet 20 to 50	Tapped Boss Repair Clamp Single Bolt Assembly
Romac	SS2	Tapped Outlet 20 to 50	Tapped Boss Repair Clamp Double Bolt Assembly
Romac	SS3	Tapped Outlet 20 to 50	Tapped Boss Repair Clamp Triple Bolt Assembly
Smith-Blair	264, 265	-	Tapped Boss Repair Clamps
Smith-Blair	313, 317, 331, 325, 357	100 to 300	AWWA C800 Service Saddles
Smith- Blair	662, 663	-	AWWA C800 Tapping Sleeve

\*20 mm services for retrofitting only.

Table 11.3: Water Service Unions - Select connections to suit Service Tubing material

Manufacturer	Model/Type	Size (mm)*	Remarks
Cambridge Brass	118 Series	20 to 50	AWWA C800 Compression or Kitec ends
Ford	Q and C Series	20 to 50	AWWA C800 Compression Ends
Mueller	110 Compression	20 to 50	AWWA C800 Compression or Kitec ends
Philmac	Universal Transition Coupling (UTC)	20 to 50	AWWA C800 Plastic Compression Coupling for all service tubing

\*20 mm services for retrofitting only.

Table 11.4: Polyvinyl Chloride (PVC) Service Pipe

Manufacturer	Model/Type	Size (mm)	Remarks
IPEX	Blue Brute	100	AWWA C900, DR18, C.I.O.D.
IPEX	Blue Brute	100	AWWA C900, DR14, C.I.O.D.
Flex-Lox	Pressure Flex	100	AWWA C900, DR18, C.I.O.D.
NAPCO (Royal Pipe)	PVC C900	100	AWWA C900, DR18, C.I.O.D.



Table 11.5: Service Tubing

Manufacturer	Model/Type	Size (mm)*	Remarks
Wolverine or Great Lakes	Type K	20 to 50	Third Party Certified to ASTM B88 NSF 61
Cerro	Type K	20 to 50	Third Party Certified to ASTM B88 NSF 61
Halstead	Type K	20 to 50	Third Party Certified to ASTM B88 NSF 61
IPEX	Q- Line PE-AL-PE	20, 25	AWWA C903, CSA-B137.10, NSF 61
Rehau	Municipex*	25 to 50	Cross Linked Polyethylene CSA B 137.5, NSF 61, NSF 14
IPEX	Blue 904*	25 to 50	Cross Linked Polyethylene CSA B 137.5, NSF 61, NSF 14, AWWA C904

\* Select size by INTERNAL diameter, not by nominal diameter, see Section 02514. 20 mm services for retrofitting only.

Table 11.6: Curb Stops - Select connections to suit Service Tubing material

Manufacturer	Model/Type	Size (mm)	Remarks
Cambridge Brass	202 Series	20, 25, 40, 50	AWWA C800 Compression or Kitec ends
Ford	BH Ball Valves with QJ or QJNK Connection	20, 25, 40	AWWA C800 Compression or Kitec ends
Mueller	B-25209 Series	20, 25, 40, 50	AWWA C800 Compression or Kitec ends

\*20 mm services for retrofitting only.

Table 11.7: Service Boxes Including Chairs and Rods

Manufacturer	Model/Type	Size (mm)*	Remarks
Norwood Foundry	Complete Service Box	20, 25	Conforms to Dwgs WA-005-003 and WA-005-004
Norwood Foundry	Complete Service Box	40, 50	Conforms to Dwgs WA-005-005 and WA-005-006
Trojan Industries	Complete Service Box	20, 25	Conforms to Dwgs WA-005-003 and WA-005-004
Trojan Industries	Complete Service Box	40, 50	Conforms to Dwgs WA-005-005 and WA-005-006
Westview Sales	Complete Service Box	20, 25	Conforms to Dwgs WA-005-003 and WA-005-004
Westview Sales	Complete Service Box	40, 50	Conforms to Dwgs WA-005-005 and WA-005-006

\*20 mm services for retrofitting only.

Table 11.8: CC Support Block

Manufacturer	Model/Type	Size (mm)	Remarks
Re-Plastics Ltd.	-	40x180x300, 40x140x300	-

11.3.2 WATER MAINS

Table 11.9: Polyvinyl Chloride (PVC) Water Pipe

Manufacturer	Model/Type	Size (mm)	Remarks <sup>†</sup>
IPEX	Blue Brute	100 to 300	-
IPEX	Terra Brute*	100 to 300	-
IPEX	Centurion	350 to 900	-
IPEX	Centurion	950 to 1050	-
IPEX	Fusible Brute*	100 to 450	-
NAPCO (Royal Pipe)	CIOD PVC Pressure Pipe	100 to 300	-
NAPCO (Royal Pipe)	CIOD PVC Pressure Pipe	350 to 600	-
NAPCO (Royal Pipe)	Certa-Lok / Cobra Lock*	100 to 300	-
Northern Pipe Products Inc.	C900	100 to 300	-
Northern Pipe Products Inc.	C900	350 to 750	-

\*On a project specific basis only

†All listed products must meet the specifications of AWWA C900 for CIOD pipe

Table 11.10: Polyethylene (PE) Water Pipe\*

Manufacturer	Model/Type	Size (mm)	Remarks
Driscopipe	4000 or 4100	All	AWWA C906 DR11
KWH Pipe	Sclairpipe	100 to 1200	AWWA C906 DR11

\* On a project specific basis only

Table 11.11: Concrete Steel Cylinder Water Pipe\*

Manufacturer	Model/Type	Size (mm)	Remarks
Hyprescon	Hyprescon C303	450	AWWA C303
Hyprescon	Hyprescon C301	600 to 1350	AWWA C301

\* On a project specific basis only

Table 11.12: Ductile Iron Water Pipe\*

Manufacturer	Model/Type	Size (mm)	Remarks
Canada Pipe	Tyton Joint	150 to 600	AWWA C151

\* On a project specific basis only

Table 11.13: Lubricants

Manufacturer	Model/Type	Remarks
J.C. Whitlam Manufacturing Co.	Blue Lube Pipe Gasket Lubricant	NSF 61 Paste
G.P. Chemicals	Rehau Pipe Lubricant	NSF 61 Paste
G.P. Chemicals	Pipe Lubricant	NSF 61 Paste
G.P. Chemicals	Iplex Pipe Lubricant	NSF 61 Paste
Liquid Ease*	One Bolt Fitting Lubricant	Spray
Robar	Slykstyx	NSF 61 Spray

\* For use on one-bolt fittings only. This product is not a pipe lubricant.

Table 11.14: Water Main Tracing

Manufacturer	Model/Type	Size	Remarks
Rhino	Blue Tri-View Test Station with Water Pipeline Decal	48", 54", 60", 66", 72", 78", 84", 90"	Include "CALL EPCOR DISPATCH 780-412-4500" on decal per standard drawing WA-002-012.

11.3.3 FITTINGS

Table 11.15: Couplings (PVC)

Manufacturer	Model/Type	Size (mm)	Remarks
CertainTeed	HD	100 to 300	AWWA C900
NAPCO (Royal Pipe)	PVC Machined Repair Couplings	250, 300	AWWA C900 Min DR 14, rated DR18
IPEX	Blue Brute	100 to 300	AWWA C907
NAPCO (Royal Pipe)	PVC Coupling (Harco)	100 to 200	AWWA C907
IPEX	PVC Tapped Couplings	150 to 200 x 20 to 50 Single or double tap	AWWA C907 Injection Moulded
IPEX	PVC Repair Couplings (without pipe stop)	100 to 300	AWWA C907 Injection Moulded
IPEX/ NAPCO (Royal Pipe)/ Galaxy Plastics	Fabricated PVC Reducer Couplings DR18	200 to 600	CSA B137.3 Up to 4 sizes of reduction only.
IPEX/ NAPCO (Royal Pipe)/ Galaxy Plastics	Fabricated PVC Repair Couplings (without pipe stop) DR18	350 to 600	CSA B137.3
IPEX/ NAPCO (Royal Pipe)/ Galaxy Plastics	Fabricated PVC Reducer Couplings DR25	762 to 914	CSA B137.3 Up to 4 sizes of reduction only.
IPEX/ NAPCO (Royal Pipe)/ Galaxy Plastics	Fabricated PVC Repair Couplings (without pipe stop) DR25	762 to 914	CSA B137.3

Table 11.16: Bolted Sleeve Couplings and Adaptors

Manufacturer	Model/Type	Size (mm)	Remarks*
Besco	Dresser Style 38	Up to 1800	-
Canada Pipeline Acc.	CDB	100 to 300	-
Canada Pipeline Acc.	200	100 to 1350	-
Canada Pipeline Acc.	Quantum Model 461	100 to 300	-
EBAA Iron Works	Series 3800	100 to 300	-
Glynwed Pipe Systems	GPS Couplings	50 to 600	-
Hymax	2000	100 to 600	-
Mueller	MaxiRange	100 to 400	-
Robar	1500 Series	100 to 600	-
Robar	Vantage	100 to 300	-
Robar	1900 Series	300 to 1350	-
Robar	7500 Series FCA	100 to 300	-
Robar	7900 Series FCA	100 to 600	-
Romac	400	450 to 600	-
Romac	FC 400	450 to 600	-
Romac	TC 400	300 to 600	-
Romac	501	100 to 600	-
Romac	FCA 501	100 to 300	-
Romac	Macro	100 to 300	-
Romac	ALPHA Coupling	100 to 300	-
Smith Blair	411	100 to 1350	-
Smith Blair	413	100 to 600	-
Smith Blair	441	100 to 300	-
Smith Blair	912	100 to 300	-
Smith Blair	913	100 to 600	-
Smith Blair	412 Top Bolt	100 to 300	-
Viking Johnson	Maxifit	50 to 600	-

\*All products listed must meet the specifications of AWWA C219 and must be Epoxy coated using T304 stainless steel fasteners.

Table 11.17: Water Main Fittings

Manufacturer	Model/Type	Size (mm)	Remarks
IPEX	PVC Tees Branch same dia. or smaller	Run: 100 to 200 Branch: 100 to 300	AWWA C907 Injection Moulded
IPEX	PVC Elbows	100 to 300	AWWA C907 Injection Moulded
IPEX	PVC plugs	100 to 300	AWWA C907 Injection Moulded
IPEX/ NAPCO (Royal Pipe)/ Galaxy Plastics	Fabricated PVC Tees DR18 Branch same dia. or smaller	Run: 250 to 300 Branch: 100 to 300	CSA B137.3
IPEX/ NAPCO (Royal Pipe)/ Galaxy Plastics	Fabricated PVC Tees DR18 Branch smaller dia. than run	Run: 350 to 600 Branch: 100 to 500	CSA B137.3 Branch same dia. as run NOT APPROVED
IPEX/ NAPCO (Royal Pipe)/ Galaxy Plastics	Fabricated PVC Crosses DR18 Branch same dia. or smaller	Run: 150 to 300 Branch: 100 to 300	CSA B137.3
IPEX/ NAPCO (Royal Pipe)/ Galaxy Plastics	Fabricated PVC Crosses DR18 Branch smaller dia. than run	Run: 350 to 600 Branches: 100 to 500	CSA B137.3 Branches same dia. as run NOT APPROVED
IPEX/ NAPCO (Royal Pipe)/ Galaxy Plastics	Fabricated PVC Bends (90°, 45°, 22½°, 11¼°, 5°) DR18	250 to 600	CSA B137.3
IPEX/ NAPCO (Royal Pipe)/ Galaxy Plastics	Fabricated PVC Caps DR18	100 to 600	CSA B137.2
IPEX/ NAPCO (Royal Pipe)/ Galaxy Plastics	Fabricated PVC Plugs DR18	350 to 600	CSA B137.3
IPEX/ NAPCO (Royal Pipe)/ Galaxy Plastics	Fabricated PVC Tees DR25 Branch smaller dia. than run	762 to 914	CSA B137.3 Branch same dia. as run NOT APPROVED
IPEX/ NAPCO (Royal Pipe)/ Galaxy Plastics	Fabricated PVC Crosses DR25 Branch smaller dia. than run	762 to 914	CSA B137.3 Branches same dia. as run NOT APPROVED
IPEX/ NAPCO (Royal Pipe)/ Galaxy Plastics	Fabricated PVC Bends (90°, 45°, 22½°, 11¼°, 5°) DR25	762 to 914	CSA B137.3
IPEX/ NAPCO (Royal Pipe)/ Galaxy Plastics	Fabricated PVC Caps DR25	762 to 914	CSA B137.3
IPEX/ NAPCO (Royal Pipe)/ Galaxy Plastics	Fabricated PVC Plugs DR25	762 to 914	CSA B137.3
NAPCO (Royal Pipe)	PVC Plugs and Caps By Harco	100 to 200	AWWA C907 Injection Moulded
NAPCO (Royal Pipe)	PVC Elbows By Harco	100 to 200	AWWA C907 Injection Moulded
NAPCO (Royal Pipe)	PVC Tees By Harco	100 to 200	AWWA C907 Injection Moulded
Clow / McAvity	CI Water Main Fittings	100 to 300	AWWA C110
Norwood Foundry	CI Water Main Fittings	100 to 600	AWWA C110
Sigma	CI Tyton Joint Fittings	100 to 600	AWWA C110
Terminal City	Grey Iron Fittings	100 to 900	AWWA C110
Tyler	Grey Iron Fittings	100 to 600	AWWA C110
One Bolt Inc.*	One Bolt Fitting	100 to 300	AWWA C111

\* On a project specific basis only

Table 11.18: Tapping Sleeves

Manufacturer	Model/Type	Size (mm)	Remarks
Ford	FAST	100 to 600	AWWA C207
Ford	FTSC	100 to 750	AWWA C207
JCM	415		AWWA C301, C303 Concrete Cylinder Pipe only
Robar	6606 (Stainless Steel) 6906 (Carbon Steel)	100 to 600	AWWA C223 (Carbon Steel to be Epoxy Coated)
Romac	FTS 420	150 to 750	AWWA C223
Romac	FTS 445		AWWA C223, Steel Pipe Only
Romac	SST Series	100 to 750	AWWA C223
Smith-Blair	600 Series 622 Series (Steel) 626 Series (Steel)	100 to 750	AWWA C223

Table 11.19: Expansion Joints

Manufacturer	Model/Type	Size (mm)	Remarks
Romac	EJ400	100 to 600	AWWA C221
Robar	8808	100 to 600	AWWA C221
Smith-Blair	611/612	100 to 600	AWWA C221

#### 11.3.4 VALVES

Table 11.20: Butterfly Valves

Manufacturer	Model/Type	Size (mm)	Remarks
DeZurik	BAW	450 to 3000	AWWA C504
DeZurik	BAW	100 to 200	Air/Vacuum control
K Flow (Crispin)	500 Series	75 to 600	AWWA C504
K Flow (Crispin)	47 Series	750 and up	AWWA C504
M&H (Clow)	4500	100 to 600	AWWA C504
M&H (Clow)	1450	750 to 1200	AWWA C504
Pratt / Mueller	Lineseal / MKII, 2FII	450 to 500	AWWA C504
Pratt / Mueller	Lineseal / XR-70	600 to 3600	AWWA C504
Pratt / Mueller	Lineseal / HP-250	450 to 1350	AWWA C504
Pratt / Mueller	Lineseal / 2FII	100 to 200	Air/Vacuum control

Table 11.21: Gate Valves

Manufacturer	Model/Type	Size (mm)	Remarks
American AVK	Series 45	100 to 400	AWWA C509, NRS
Clow	McAvity/Solid Wedge	100 to 750*	AWWA C500, NRS
Clow	Resilient Wedge 2640	100 to 300	AWWA C509, NRS
Clow	Resilient Wedge 2638	350 to 450	AWWA C515, NRS
Mueller	RW A2360 / A2362	100 to 300	AWWA C509, NRS
Mueller	Resilient Wedge A2361	350 to 1200*	AWWA C515, NRS
Terminal City	Solid Wedge	100 to 300	AWWA C500, NRS
East Jordan Iron Works	Resilient Wedge	100 to 400	AWWA C515, NRS
American Flow Control	RW Series 2500, 2500-1	100 to 1200*	AWWA C515, NRS

\* Bevel Gear required for 600 mm & larger valves to allow horizontal installation.

Table 11.22: Check Valves

Manufacturer	Model/Type	Size (mm)	Remarks
Mueller	A 2600 / 52 SCS-1	100 to 300	-
Mueller	A 2122	100 to 300	For Direct Bury Purposes
APCO Willamette	5800, 5800B	450 to 1500	-
APCO Willamette	9000, 9000L	100 to 1500	-
APCO Willamette	300 Series	100 to 250	-
APCO Willamette	600 Series	100 to 1050	-
APCO Willamette	100 Series	100 to 600	-

Table 11.23: Automatic Air Valves

Manufacturer	Model/Type	Size (mm)	Remarks
APCO Willamette	50 Series	12 to 25	-
APCO Willamette	140 Series	10 to 75	-
APCO Willamette	143C to 151C	25 to 200	-
APCO Willamette	150 Series	100 to 750	-
APCO Willamette	200A Series	25, 50	-
ARI Flow Control Accessories	K, S and D Models	20 to 50	NSF 61

Table 11.24: Manual Air Valves

Manufacturer	Model/Type	Size (mm)	Remarks
Crane	438	15 to 80	Full Port Bronze Gate Valve
Crane	1701	6 to 80	Full Port Bronze Gate Valve
Boshart	814	15 to 100	Full Port Bronze Gate Valve
Newman Hattersly	33	15 to 50	Full Port Bronze Gate Valve
Jenkins	310J	15 to 80	Full Port Bronze Gate Valve
Kitz	40	10 to 50	Full Port Bronze Gate Valve
Nibco	T - 113	8 to 80	Full Port Bronze Gate Valve
Toyo	206A	10 to 100	Full Port Bronze Gate Valve

Table 11.25: Pressure Reducing Valves

Manufacturer	Model/Type	Size (mm)	Remarks
Singer	106 PR	100 to 400	or equivalent

Table 11.26: Flow Control Valves

Manufacturer	Model/Type	Size (mm)	Remarks
Cla-Val Co.	Hytrol	10 to 900	or equivalent

Table 11.27: Valve Casings and Middle Extensions

Manufacturer	Model/Type	Size (mm)	Remarks
Norwood Foundry	Type B (Screw)	-	Conforms to Dwgs WA-003-001 to WA-003-005
Trojan Industries	Type B (Screw)	-	Conforms to Dwgs WA-003-001 to WA-003-005
SIGMA	Type B (Screw)	-	Conforms to Dwgs WA-003-001 to WA-003-005
Westview Sales	Type B (Screw)	-	Conforms to Dwgs WA-003-001 to WA-003-005
Trojan Industries	EPCORVBR - ##	-	Trojan part number is EPCORVBR- ## where ## is the length in inches. Part name is EPCOR Extension Rod ##.

#### 11.3.4.1 Back-Flow Preventers

11.3.4.1.1 Where backflow prevention is required, in accordance with the Plumbing Code of Canada, and the City of Edmonton Waterworks Bylaw, backflow prevention devices shall be selected and installed in compliance with CSA Manual B64 (current edition).

#### 11.3.5 FIRE HYDRANTS

Table 11.28: Fire Hydrants

Manufacturer	Model/Type	Size (mm)	Remarks
American AVK	2708 Nostalgic	150	AWWA C502
Mueller	Canada Valve Century	150	AWWA C502
McCavity (Clow)	Brigadier (M67)	150	AWWA C502
Mueller	Modern Centurion	150	AWWA C502
East Jordan Iron Works	Watermaster (5CD250)	150	AWWA C502

Note: Most suppliers offer a modern or a heritage style body, with the same working parts.

#### 11.3.6 COATINGS AND LININGS

Table 11.29: Epoxy Coatings and Linings

Manufacturer	Model/Type	Size (mm)	Remarks
3M	Scotchkote 134	-	AWWA C213 and C550

Table 11.30: Plant Coatings

Manufacturer	Model/Type	Size (mm)	Remarks
Fusion Bonded Epoxy (FBE)	-	-	AWWA C116, NSF 61
Shaw Pipe	Yellow Jacket 1 External Coating	Up to 600	Steel and DI Pipe



Table 11.31: Tape Coatings (Cold Applied)

Manufacturer	Model/Type	Size	Remarks
Denso	Primer and Tape	-	AWWA C217
Interprovincial Corrosion Control	Primer, Mastic and Tape	-	AWWA C217
Polyguard	600 Primer & Tape	-	AWWA C209
Polyken	1027 or 1029 Primer and 930 Tape	-	AWWA C209
Polyken	YGIII Tape	-	AWWA C214
Premier Coating	Primer and LT Tape	-	AWWA C217
Renfrew	327 Primer and 303-35 Tape	-	AWWA C209, C214
Royston	747 Primer and Greenline Tape	-	AWWA C209
Trenton	Tec-Tape	-	AWWA C217
Advanced Corrosion Solutions	Tape, Mastic and Primer	-	AWWA C217-09
PCS	Tape, Mastic and Primer	-	AWWA C217-09

Table 11.32: Heat-Shrinkable Sleeves (Exterior Protection – Joints/Flanges/Fittings)

Manufacturer	Model/Type	Size (mm)	Remarks
Canusa - CPS	Aqua - Shield	-	AWWA C216 NACE Std. RP0303-2003

### 11.3.7 CATHODIC PROTECTION

Table 11.33: Cathodic Protection Weld Protection Materials

Manufacturer	Model/Type	Size (mm)	Remarks
Royston	Roybond 747	-	-
Royston	Handicap IP	-	-
Polyken	1027	-	-
Polyken	931	-	-
Polyguard	600	-	-
KEMA	250-12	-	Same as KEMA 250 but with 12 mm polyethylene film on one side instead of being double sided adhesive.
KEMA	250	-	-

Table 11.34: Cathodic Protection Splice Protection Materials

Manufacturer	Model/Type	Size (mm)	Remarks
3M	8420 Series Cold Shrink Connector	-	-
3M	Scotchfil Putty	-	-
3M	Scotch 130C Linerless Rubber Splicing Tape	-	-
3M	Super 33+ Vinyl Plastic Electrical Tape	-	-
Raychem	WCSM – 9/3	-	-

### 11.3.8 MANHOLES

Table 11.35: Manhole Frames and Covers

Manufacturer	Model/Type	Size (mm)	Remarks
Norwood Foundry	F-39 (Type 6A)	-	Must be marked "WATER" and include 2 – 25 mm holes with plugs.
Trojan Industries	TF-39 (Type 6A)	-	Must be marked "WATER" and include 2 – 25 mm holes with plugs.
Norwood Foundry	PM-A	-	Must be marked "WATER" and include 2 – 25 mm holes with plugs.
Trojan Industries	PM-A	-	Must be marked "WATER" and include 2 – 25 mm holes with plugs.

Table 11.36: Alarms (Hatch)

Manufacturer	Model/Type	Size (mm)	Remarks
Municipal Solutions	HG (Hatch Guard)	N/AP	Remote intrusion alarm

### 11.3.9 MISCELLANEOUS

Table 11.37: Insulation

Manufacturer	Model/Type	Pipe Size (mm)	Remarks
DOW	HI-40	N/AP	CAN/ULC-S701 25 mm to 100 mm thickness
Beaver Plastics	Terrafoam HS40	N/AP	CAN/ULC-S701 Expanded Polystyrene Up to 600 mm thickness
Owens Corning	FOAMULAR 400	N/AP	CAN/ULC-S701 25 mm to 100 mm thickness
Urecon	Pre-Insulated Pipe	150 to 300	Rigid Polyurethane Coating Certain restrictions apply
Urecon	Spray On Insulation	N/AP	For chamber vault applications



Table 11.38: Pipe Casing Spacers

Manufacturer	Model/Type	Size (mm)	Remarks
APS	SIM	100 to 600	-
APS	SI12	600 to 3000	-
BWM	SS-8	100 to 600	Supplier: B&A Mfg.
BWM	SS-12	750 to 1500	Sizes >900 Consult Factory
PSI	Uni-Flange Restrained Casing Spacers	100 to 600	ASTM A536, ASTM A242, AWWA C111
PSI	Booster, A8GI, A12GI	-	-
PSI	Ranger Midi 65	150 to 300	65 mm runner height only
Raci	F	Up to 528 O.D.	-
Raci	E	Up to 2861 O.D.	-

END OF SECTION



PROVIDING MORE

# **Construction Standards**

## **Section 12 Water Meters**

April 2021



## **12.1 GENERAL**

### **12.1.1 SCOPE**

12.1.1.1 This section covers material and installation requirements for water meters up to 600 mm in size.

### **12.1.2 PRODUCT ACCEPTANCE AND STANDARDS**

12.1.2.1 Products are to be in accordance with recognized standards, such as AWWA, CSA, ASTM or ANSI.

12.1.2.2 Water meters are to comply with the following standards:

- 12.1.2.2.1 AWWA C700 - Cold Water Meters – Displacement Type, Bronze Main Case
- 12.1.2.2.2 AWWA C701 - Cold Water Meters – Turbine Type, for Customer Service
- 12.1.2.2.3 AWWA C703 - Cold Water Meters – Fire-Service Type
- 12.1.2.2.4 AWWA C706 - Direct-Reading, Remote-Registration Systems for Cold Water Meters
- 12.1.2.2.5 AWWA C707 - Encoder-Type Remote Registration Systems for Cold-Water Meters
- 12.1.2.2.6 AWWA C710 - Cold Water Meters – Displacement Type, Plastic Main Case
- 12.1.2.2.7 International Organization of Legal Metrology (OIML) Standard for Mag Meters
- 12.1.2.2.8 National Sanitation Foundation (NSF) Standard 14 - Plastics Piping System Components and Related Materials
- 12.1.2.2.9 National Sanitation Foundation (NSF) Standard 61 - Drinking Water System Components - Health Effects
- 12.1.2.2.10 National Sanitation Foundation (NSF) Standard 61 Annex G - 2008
- 12.1.2.2.11 Industry Canada (IC) Radio Standards Specification 102 (RSS-102) – Radio Frequency Exposure Compliance of Radio Communication Apparatus (All Frequency Bands)
- 12.1.2.2.12 Industry Canada (IC) CPC-2-0-03 – Radio Communication and Broadcasting Antenna Systems
- 12.1.2.2.13 Health Canada (HC) – Radiofrequency Fields and Safety Code 6
- 12.1.2.2.14 Health Canada (HC) – Smart Meter Information

12.1.2.3 Compliance with a standard requires:

- 12.1.2.3.1 Certification from the supplier or manufacturer that the product meets the standard; and/or
- 12.1.2.3.2 Testing in accordance with a recognized procedure, such as the appropriate ASTM Standard.

### **12.1.3 QUALITY CONTROL**

12.1.3.1 Retain certified copies of in-plant quality control test data. Provide copies to EPCOR if requested.

12.1.3.2 All water meters when supplied will have the contractor's accuracy test results and serial numbers of each meter.

## **12.2 MATERIALS**

### **12.2.1 WATER METERS**

12.2.1.1 Water meters are to conform to the standards listed in Section 12.1.2 and Drawings WA-012-001 to WA-012-008.

12.2.1.1.1 Direct bury electromagnetic flow meters to conform to Drawing WA-012-009.

12.2.1.2 The size, capacity and meter lengths for displacement type meters must conform to AWWA C700.

12.2.1.3 The size, capacity and meter lengths for turbine type meters must conform to AWWA C701.

12.2.1.4 The size, capacity and meter lengths for electromagnetic flow meters (mag meters) must conform to OIML standards.

12.2.1.5 Suppliers must provide complete manuals complete with recommended installation procedures, a list of replacement parts and prices, for all meters supplied.

12.2.1.6 All meters to have manufacturer's accuracy test results and serial numbers of each meter included at the time of delivery.

12.2.1.7 The main meter casing, including the inlet and outlet connections, are to be made of low-lead brass ( $\leq 0.25\%$  lead). Refer to NSF Standard 61 Annex G – 2008.

12.2.1.8 The meter size and direction of flow through the meter must be cast in raised characters on the body of the meter.



- 12.2.1.9 Each meter must be identified by a unique 8 mm (5/16") serial number, marked permanently on the outer meter body.
- 12.2.1.10 Each meter must have a unique meter register identification code, which consists of six to ten digits.
  - 12.2.1.10.1 Register codes must be electronically read from each individual meter register.
- 12.2.1.11 Each meter must have a unique encoder receiver transmitter (ERT) identification code, which consists of six to ten digits.
- 12.2.1.12 The measuring meter chamber piston must not exceed 1160 nutations at 75 L/min, or 580 nutations at 37.8 L/min.
- 12.2.1.13 Encoder water meters must be comparable to:
  - 12.2.1.13.1 The Sensus Technologies Incorporated touchpad; or
  - 12.2.1.13.2 The Ellster C700 Invision style coder touchpad.
  - 12.2.1.13.3 A pin type alignment is not acceptable.
- 12.2.1.14 Provide physical tamper detection and locking devices to all meters and meter registers.
- 12.2.1.15 Install grounding wires as per manufacturer's specifications.
- 12.2.1.16 Registers for 50 mm to 150 mm (2" to 6") meters:
  - 12.2.1.16.1 Single direct reading encoder type totalizing register per meter.
  - 12.2.1.16.2 Encoder registers to measure cubic meters to six digits. Digits to be electronically read to the lowest ten m<sup>3</sup> values.
  - 12.2.1.16.3 The digit on the right-hand side must represent a single m<sup>3</sup> unit, i.e. one complete revolution of the test dial indicator to increase the digit on the right-hand side by one m<sup>3</sup>.
- 12.2.1.17 Registers for 200 mm to 600 mm (8" to 24") meters:
  - 12.2.1.17.1 Single direct reading encoder type totalizing register per meter.
  - 12.2.1.17.2 Encoder registers shall have six digits measured in cubic metres, and a fixed zero. The fixed zero shall represent zero to nine m<sup>3</sup> values. Digits are to be electronically read to the lowest 100 m<sup>3</sup> values.
  - 12.2.1.17.3 All wheels and the fixed zero shall be in a white background with black numbering.
  - 12.2.1.17.4 Test dials to be calibrated in one m<sup>3</sup> values.

### **12.3 EXECUTION**

#### 12.3.1 Manufacturer's Recommendations

- 12.3.1.1 Install according to the manufacturer's recommendations. In case of discrepancy with these specifications, advise EPCOR and request instruction before proceeding.

**END OF SECTION**



PROVIDING MORE

# **Construction Standards**

## **Section 13 Concrete Requirements**

April 2021

### **13.1 SCOPE**

- 13.1.1 Supply and installation of cement concrete for water structures and thrust blocks, excluding precast concrete.

### **13.2 RELATED SECTIONS**

- 13.2.1 City of Edmonton Design and Construction Standards, Volume 2 – Complete Streets, Section 7.10 – Concrete Forms and Accessories
- 13.2.2 City of Edmonton Design and Construction Standards, Volume 2 – Complete Streets, Section 7.12 – Reinforcing Steel

### **13.3 QUALITY CONTROL**

- 13.3.1 The Contractor shall retain and pay for the services of a testing laboratory to perform field tests on the concrete produced and installed. Testing shall be done in accordance with the most recent publication of CSA A23.1 and CSA A23.2. The minimum test requirements shall be:
- 13.3.1.1 Air content: Minimum once per day. Every batch delivered until air content is established to within specifications; every third batch thereafter, unless specifications are not met, at which point the testing frequency shall revert to one test per batch until satisfactory control is re-established.
- 13.3.1.1.1 For water mains  $\geq 450$  mm in diameter, the test frequency shall be increased to a minimum of 1 test per each 25 m<sup>3</sup> poured, with a minimum of one test per day of concrete placement.
- 13.3.1.2 Slump: Minimum once per day. Every batch delivered until specifications are met; every third batch thereafter.
- 13.3.1.2.1 For water mains  $\geq 450$  mm in diameter, the test frequency shall be increased to a minimum of 1 test per each 25 m<sup>3</sup> poured, with a minimum of one test per day of concrete placement.
- 13.3.1.3 Strength: In accordance with CSA-A23.2, standard tests for strength will be conducted at a frequency of not less than one strength test for each 50 m<sup>3</sup> (or part thereof) of concrete poured, with minimum of one test per project. The standard strength test shall consist of three cylinders, laboratory moist cured, except when temperature is below 5°C, when cylinders shall be field cured. Slump and air content taken with cylinders. One cylinder shall be broken at 7 days, and two cylinders at 56 days.
- 13.3.1.3.1 For water mains  $\geq 450$  mm in diameter, the test frequency shall be increased to a minimum of 1 test per each 25 m<sup>3</sup> poured, with a minimum of one test per day of concrete placement.
- 13.3.1.4 Field cured cylinders: Two additional cylinders shall be cast when the ambient temperature is 5°C, or lower. Field cured cylinders shall be cured on the job site under the same conditions as the concrete they represent. One cylinder shall be broken at 7 days, and one cylinder at 56 days.
- 13.3.2 Failure to meet specifications shall result in the Engineer requesting, at the Contractor's cost:
- 13.3.2.1 Additional testing (coring, etc.)
- 13.3.2.2 Remedial work or replacement.
- 13.3.2.3 Other work as deemed necessary.

### **13.4 PRODUCTS**

#### **13.4.1 MATERIALS**

- 13.4.1.1 Cement: to CSA-A3000, Type HS High sulphate-resistant
- 13.4.1.2 Aggregates: to CSA-A23.1
- 13.4.1.3 Water: to CSA-A23.1
- 13.4.1.4 Air Entraining Admixture: to ASTM C260
- 13.4.1.5 Chemical Admixture: to ASTM C494. Engineer to approve accelerating or set retarding admixtures during cold and hot weather placing.

#### **13.4.2 NON-SHRINK GROUT**

- 13.4.2.1 Premixed compound consisting of non-ferrous aggregate, cement, water reducing and plasticizing agents, capable of developing minimum compressive strength of 16.5 MPa at 2 days and 48 MPa at 28 days.

#### **13.4.3 CURING COMPOUND**

- 13.4.3.1 Non-membrane, colourless, non-yellowing chemical liquid curing compound conforming to CSA-A23.1 and to ASTM C309.





#### 13.4.4 FLOOR HARDENER

13.4.4.1 Non-metallic, natural aggregate surface hardener.

#### 13.4.5 BONDING AGENT

13.4.5.1 Two component, epoxy resin.

#### 13.4.6 WATERSTOPS

13.4.6.1 PVC Waterstop: Extruded PVC of sizes as indicated in the drawings, to conform to CGSB 41-GP--35M. Waterstop type and profile to be pre-approved by the Engineer.

#### 13.4.7 DAMPPROOFING FOR WATER STRUCTURES

13.4.7.1 Consultant to submit dampproofing material specification for acceptance by the Engineer.

#### 13.4.8 WATERPROOFING FOR WATER STRUCTURES

13.4.8.1 Consultant to submit cementitious waterproofing material specification for acceptance by the Engineer.

#### 13.4.9 JOINT SEALANT

13.4.9.1 Control and expansion joints, on the interior and exterior of concrete walls as shown on drawings.

13.4.9.2 Sealant to CAN/CGSB-19.13 - one component, elastomeric, chemical curing sealing compound.

13.4.9.3 Refer to drawings for joint details and sealants for other joint types.

#### 13.4.10 OTHER MATERIALS

13.4.10.1 All other materials, not specifically described but required for a complete and proper installation of all cast-in-place concrete, shall be as selected by the Contractor subject to the approval of the Engineer.

#### 13.4.11 MIX DESIGN

13.4.11.1 Mix design to be in accordance with CSA-A23.1, Table 5, it is the intent that the City follows Alternative 1 method of specifying concrete. The concrete supplier assumes responsibility for the concrete mix proportions.

13.4.11.1.1 Upon request, the Contractor shall submit a mix design to the Engineer for review that will comply with the requirements of these standards.

13.4.11.2 As a minimum, and unless specified by the Engineer elsewhere, for concrete used in water facilities, the properties of the concrete shall be:

13.4.11.2.1 The minimum 56 day compressive strength requirement is 32 MPa.

13.4.11.2.2 The maximum water/cementing material ratio is 0.45.

13.4.11.2.3 Air content to be 4% to 7%.

13.4.11.2.4 The slump for concrete shall be 80 mm,  $\pm$  30 mm, unless specified elsewhere by the Engineer. The specified slump for pumping of concrete may be increased with the use of superplasticizing admixtures, upon approval of the mix design by the Engineer.

13.4.11.2.5 Maximum aggregate size of 20 mm, unless otherwise specified. Concrete density shall be normal.

13.4.11.3 Accelerating admixtures may be used in cold weather subject to approval of the Engineer. If approved, the use of admixture will not relax the cold weather placement requirements. Use of calcium chloride shall not be permitted.

13.4.11.4 Set retarding admixtures may be used during hot weather to allow for proper finishing of concrete, subject to approval of the Engineer.

13.4.11.5 The ratio of supplementary cementitious materials to total cementitious materials shall not exceed 0.20.

### 13.5 EXECUTION

#### 13.5.1 DELIVERY OF CONCRETE

13.5.1.1 Concrete shall be delivered to the job site according to CSA-23.1 as supplemented or modified below.

13.5.1.2 The drum shall be rotated on the job site at mixing speed for three minutes just before discharge.

13.5.1.3 Water shall not be added after initial introduction of mixing water at the plant except when the slump at initial discharge is less than specified.

13.5.1.3.1 If water is added, it is the responsibility of the supplier to ensure that the specified slump is not exceeded, and the specified strength is attained.

- 13.5.1.3.2 Slumps exceeding the specified slump will be a cause for rejection.
  - 13.5.1.4 Re-tempering with Air-Entraining Admixtures is only permitted under the following conditions:
    - 13.5.1.4.1 Re-tempering on site with an approved air-entraining admixture shall only be performed by a quality control technician working for the concrete supplier. Dry, powdered, bagged or premeasured liquid air-entraining admixtures may be added by the concrete truck operator under the direction of the supplier's quality control technician. For re-tempering purposes the concrete supplier shall use a comparable air-entraining admixture to what was originally approved for use in the mix design. Rotate the drum for 3 to 5 minutes or until the mix is uniform, after the addition of the air entraining admixture.
    - 13.5.1.4.2 The quality assurance technician shall perform an air content test on each load of concrete retempered with air-entraining admixtures and shall immediately provide the test results to the Engineer.
    - 13.5.1.4.3 Guidelines for re-tempering with air-entraining admixtures:
      - 13.5.1.4.3.1 5.0 – 5.4 Addition of water or air-entraining admixtures as deemed necessary by the supplier to meet specifications.
      - 13.5.1.4.3.2 4.0 – 4.9 Air-entraining admixtures or air-entraining admixtures and water must be added as deemed necessary by the supplier to meet specifications.
      - 13.5.1.4.3.3 < 3.9 No re-tempering with air-entraining admixtures or water is permitted; load will be rejected.
    - 13.5.1.4.4 When re-tempering with air-entraining admixtures, the supplier will be given one opportunity to meet the specified air content.
    - 13.5.1.4.5 When initial load requires re-tempering, the quality assurance technician shall perform an air content test to verify air content on subsequent loads until such time air content is acceptable.
    - 13.5.1.4.6 If the need for re-tempering with air-entraining admixtures becomes persistent or continuous, the Engineer or his representative may refuse to accept concrete loads that have been re-tempered with air-entraining admixtures.
    - 13.5.1.4.7 The use of de-air-entraining admixtures is not permitted.
    - 13.5.1.4.8 A load of concrete will be rejected if it is re-tempered with air-entraining admixtures and the resulting air content exceeds the specified maximum air content.
    - 13.5.1.4.9 A load of concrete that is rejected at the jobsite may not be re-tempered at the concrete plant with cement, aggregate, sand or admixtures and subsequently returned to the jobsite.
    - 13.5.1.4.10 On site mix adjustments with cementitious materials, sand aggregate or any chemical admixtures other than air-entraining admixtures and superplasticizers will not be permitted.
  - 13.5.1.5 The slump shall be measured in accordance with CSA-A23.2-5C.
  - 13.5.1.6 The total air content shall be measured in accordance with CSA-A23.2-4C.
  - 13.5.1.7 Concrete shall arrive at the work site with a temperature of not less than 10°C and not greater than 30°C.
  - 13.5.1.8 Concrete shall be delivered to the site and discharged within two hours after introduction of the mixing water to the cement and aggregates.
  - 13.5.1.9 The delivery ticket shall show batch plant location, supplier's name, ticket and truck numbers, mechanically punched date and time of initial plant mixing, mix design designation, water added, volume of concrete, site arrival and discharge time and any other information requested by the Engineer.
  - 13.5.1.10 Noncompliance of any of the requirements above shall be reasons for rejection of concrete by the Engineer.
- 13.5.2 PREPARATION
- 13.5.2.1 Obtain the Engineer's approval before placing concrete. Provide 24 hours' notice prior to placing concrete.
  - 13.5.2.2 Pumping of concrete is permitted only after approval of equipment and mix.
  - 13.5.2.3 Ensure reinforcement and inserts are not disturbed during concrete placement.
  - 13.5.2.4 Prior to placing of concrete obtain Engineer's approval of proposed method for protection of concrete during placing and curing.
  - 13.5.2.5 Maintain accurate records of poured concrete items to indicate date, location of pour, quality, and air temperature and test samples taken.
  - 13.5.2.6 Do not place load upon new concrete until authorized by the Engineer.
- 13.5.3 CONSTRUCTION
- 13.5.3.1 Do cast-in-place concrete work in accordance with CSA-A23.1.

- 13.5.3.1.1 Formwork must be erected for all thrust blocks.
- 13.5.3.1.2 Dimensions of all thrust blocks are to be confirmed to match the specifications on the Engineering Drawings.
- 13.5.3.1.3 Concrete is not to be poured over any fitting, except spool pieces with paddle flanges.
- 13.5.3.2 Sleeves and Inserts
  - 13.5.3.2.1 No sleeves, ducts, pipes or other openings shall pass through joists, beams, column capitals or columns, except where indicated or approved by the Engineer.
  - 13.5.3.2.2 Where approved by the Engineer, set sleeves, ties, pipe hangers and other inserts and openings as indicated or specified elsewhere. Sleeves and openings greater than 100 mm x 100 mm not indicated shall be approved by the Engineer.
  - 13.5.3.2.3 Do not eliminate or displace reinforcement to accommodate hardware. If inserts cannot be located as specified, obtain approval of modifications from the Engineer before placing of concrete.
  - 13.5.3.2.4 Check locations and sizes of sleeves and openings shown on drawings.
  - 13.5.3.2.5 Set special inserts for strength testing as indicated and if required by non-destructive method of testing concrete. Refer to Section 13.3.
- 13.5.3.3 Anchor Bolts
  - 13.5.3.3.1 Set anchor bolts to templates under supervision of appropriate trade prior to placing concrete.
  - 13.5.3.3.2 With approval of the Engineer grout anchor bolts in pre-formed holes or holes drilled after concrete has set.
  - 13.5.3.3.3 Protect anchor bolt holes from water accumulations, snow and ice build-ups.
  - 13.5.3.3.4 Set bolts and fill holes with shrinkage compensating grout.
  - 13.5.3.3.5 Grout under base plates and machinery using procedures in accordance with manufacturer's recommendations which result in 100% contact over grouted area.
- 13.5.3.4 Waterstops
  - 13.5.3.4.1 Install waterstops in all construction joints as shown on detailed drawings, or located below finished grade.
    - 13.5.3.4.1.1 Install them to provide a continuous water seal.
    - 13.5.3.4.1.2 Do not distort or pierce waterstop in such a way as to hamper performance.
    - 13.5.3.4.1.3 Do not displace reinforcement when installing waterstops.
  - 13.5.3.4.2 Use only straight heat sealed butt joints in field. Use factory welded corners and intersections unless otherwise approved by the Engineer.
  - 13.5.3.4.3 All field splices to be inspected by the Engineer.
- 13.5.3.5 Joints
  - 13.5.3.5.1 Locate and form all isolation or expansion joints as indicated on the Drawings.
    - 13.5.3.5.1.1 Install joint filler, sealer and primer to manufacturer's instructions.
  - 13.5.3.5.2 Install a polyethylene strip over joint filler to prevent bonding to joint sealer.
  - 13.5.3.5.3 The Contractor shall submit a plan that shows the proposed location of joints and pour breaks to the Engineer for approval.
  - 13.5.3.5.4 Do not allow reinforcing steel to run through expansion joints or isolation joints unless otherwise indicated.
- 13.5.3.6 Finishing
  - 13.5.3.6.1 Finish concrete in accordance with CSA-A23.1.
  - 13.5.3.6.2 Use procedures acceptable to the Engineer or those noted in CSA-A23.1 to remove excess bleed water.
  - 13.5.3.6.3 Ensure surface is not damaged.
- 13.5.3.7 Floor Finishes
  - 13.5.3.7.1 Finish and protect the top surface of all concrete as indicated on the Drawings or as specified below:
    - 13.5.3.7.1.1 Plain Floor Finish (all covered floors and roof):
      - 13.5.3.7.1.1.1 Finish concrete floors to CSA-A23.1 as specified below.
      - 13.5.3.7.1.1.2 Use two passes of steel troweling to produce smooth burnished surface to within 5 mm tolerance when measured in any direction using 3 m. straight edge.

- 13.5.3.7.1.1.3 At areas with floor drains, maintain floors level at walls, pitch floor uniformly to drains at a minimum rate of one half of one percent (5 mm per m) or as shown on the Drawings.
- 13.5.3.7.1.2 Hardened Floor Finish (all exposed floors):
  - 13.5.3.7.1.2.1 Finish concrete floors per Section 13.5.3.7.1 and apply hardener at a rate specified by the manufacturer.
  - 13.5.3.7.1.3 Textured Non-Slip Finish (all exterior flatwork):
    - 13.5.3.7.1.3.1 Immediately after first troweling of the "Plain Floor Finish", swirl-trowel, brush or broom the surface to a uniformly textured non-slip finish, as described in CSA-A23.1.
- 13.5.3.8 Wall Finishes
  - 13.5.3.8.1 In accordance with CSA-A23.1, leave concrete with a rough form finish for use on surfaces not exposed to view in the structure. Chip off fins and irregular projections, and patch form tie holes.
  - 13.5.3.8.2 For walls and surfaces exposed to view, the Contractor shall provide a sack rubbed finish as described in CSA-A23.1
- 13.5.3.9 Protection and Curing
  - 13.5.3.9.1 Cure all concrete in accordance with CSA-A23.1, Section 7.
  - 13.5.3.9.2 Loosen wall forms within 24 hours as outlined in the City of Edmonton Design and Construction Standards, Volume 2 – Complete Streets, Section 7.10 – Concrete Forms and Accessories.
  - 13.5.3.9.3 Initial curing: ensure the concrete surface is kept continuously moist until the temperature produced by the heat of hydration of the cement has peaked and dropped at least 8°C.
  - 13.5.3.9.4 Final Curing: immediately after initial curing, additional curing shall be applied and maintained for a period of 7 days, to ensure that the specified concrete strength and quality has been obtained.
  - 13.5.3.9.5 Concrete thrust blocks must be cured a minimum of 3 days in the case of high early strength concrete or a minimum of 7 days in the case of normal/sulphate resistant concrete prior to performing any acceptance testing activities as described in Section 8.
- 13.5.3.10 Damp-proofing and Waterproofing of Drainage Structures
  - 13.5.3.10.1 Apply damp-proofing compound to exterior of structural wall below grade where shown on drawings, according to manufacturer's recommendations.
  - 13.5.3.10.2 Apply waterproofing material onto interior surfaces of structural base and wall as indicated on drawings, within 72 hours of stripping forms, and as recommended by the manufacture of the waterproofing materials.
    - 13.5.3.10.2.1 Cure the waterproofing compound as recommended by the manufacturer.
- 13.5.3.11 Repairing Concrete
  - 13.5.3.11.1 Cut back metal form ties and voids not less than 20 mm from surface and fill with non-shrink grout.
  - 13.5.3.11.2 Cut back honeycombed or defective areas perpendicular to the surface to a depth of 20 mm.
  - 13.5.3.11.3 Brush on 1:1 cement sand grout over a saturated surface then patch with a 1:2 cement sand mortar with 10% hydrated lime.
  - 13.5.3.11.4 Where honeycombing or defective areas require cut backs deeper than 50 mm, use non-shrink grout.
- 13.5.3.12 Bonding New Concrete to Old
  - 13.5.3.12.1 Clean old concrete surface and protruding reinforcing steel concrete for a distance shown on detailed drawings.
  - 13.5.3.12.2 Roughen cleaned surfaces to expose the coarse aggregate of the existing concrete.
  - 13.5.3.12.3 Immediately prior to placing new concrete, apply a coating of bonding agent to the existing surface, in strict accordance with the manufacturer's recommendation.
  - 13.5.3.12.4 In locations where new concrete is doweled to existing work, drill holes in existing concrete and insert steel dowels and pack solidly with non-shrink grout to positively position and anchor dowels, or as indicated on the drawings.

**END OF SECTION**



PROVIDING MORE

# **Volume 4 Water**

## **Section 14 Detail Drawing Index**

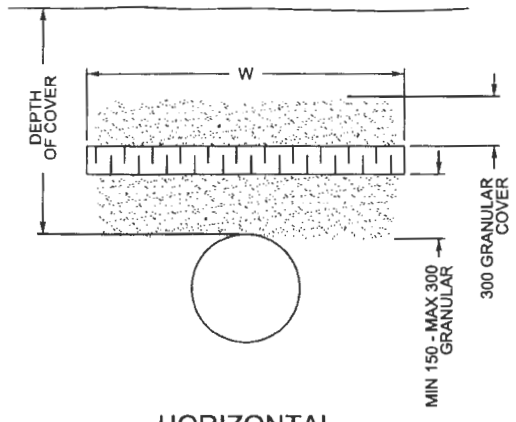
April 2021



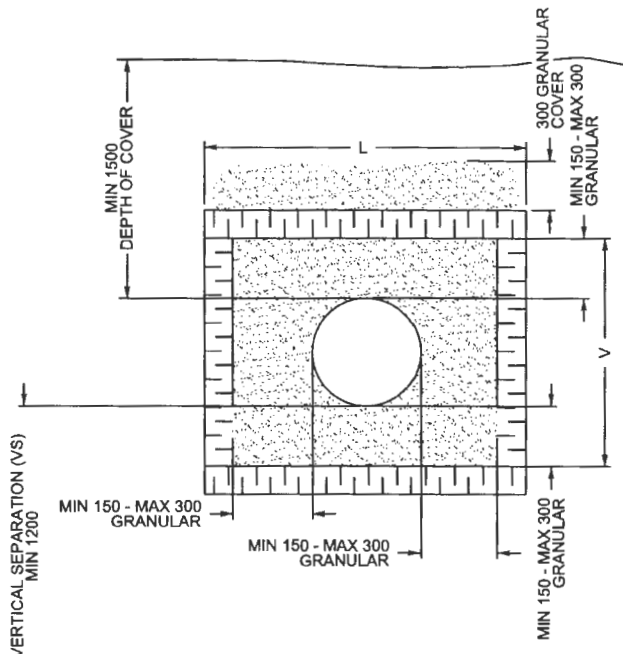
New Drawing Number	Old Drawing Number	Description	Approved
WA-002-001	2511-08	Insulation Requirements for Water Mains / Services	April 2021
WA-002-002	2511-06	Typical Dead End up to 300 mm	April 2021
WA-002-003	2511-11	Typical Flush Point Detail	April 2021
WA-002-004	2512-20	Flush Point in Roadway (Shallow Chamber)	April 2021
WA-002-005	2511-09	Flushmount Hydrant Detail	April 2021
WA-002-006	2512-19	Blow Off Hydrant with Tipped Down Tee	April 2021
WA-002-007	2511-03	Horizontal Concrete Thrust Block Details	April 2021
WA-002-008a	2511-04	Vertical Bend Thrust Block Detail	April 2021
WA-002-008b	-	Stainless Steel Clamp for Vertical Thrust Block Detail	April 2021
WA-002-009	2511-13	Thrust Blocks for Reducers and Transition Couplings	April 2021
WA-002-010	2511-12	Block and Rail Plug Detail	April 2021
WA-002-011	2511-07	Typical Casing and Pipe with Spacer	April 2021
WA-002-012	Net New	Plastic Marker and Channel Post Detail	April 2021
WA-002-013	Net New	Soil Cell Structure Over Water Mains	April 2021
WA-002-014	Net New	Subdrain Installation Across Existing Water Mains	April 2021
WA-003-001	2512-01	Valve Casing	April 2021
WA-003-002	2512-02	Valve Casing Top Section and Plug	April 2021
WA-003-003	2512-03	Valve Casing Middle Extensions	April 2021
WA-003-004	2512-04	Valve Casing Bottom Section	April 2021
WA-003-005	2512-05	Valve Bonnet	April 2021
WA-003-006	2512-06	Valve Box Material Detail	April 2021
WA-003-007	2512-07	Valve Box Construction Detail	April 2021
WA-003-008	2512-08	Valve Casing Detail for Fillcrete Backfill	April 2021
WA-003-009	2512-09	Valve Strapped to Tee Details	April 2021
WA-003-010	2512-10	Valve Chamber Detail (Plan)	April 2021
WA-003-011	2512-11	Valve Chamber Detail (Profile)	April 2021
WA-003-012	2512-12	Automatic Air Valve Chamber Detail (Plan) (750 mm Mains and Smaller)	April 2021
WA-003-013	2512-13	Automatic Air Valve Chamber Detail (Profile) (750 mm Mains and Smaller)	April 2021
WA-003-014	2512-14	450 mm To 750 mm Direct Bury Butterfly Valve with Air Vents	April 2021
WA-003-015	-	450 Gate Valve with Bevel Gearing & 50 Manual Air Vents	April 2021
WA-003-016	2512-16	Typical 50mm Manual Air Vent in Roadway	April 2021
WA-003-017	2512-17	Typical 50mm Manual Air Vent in Boulevard with 1.5m Separate Walk	April 2021
WA-003-018	2512-18	Typical 50mm Manual Air Vent in Boulevard with 1.5m Monolithic Walk	April 2021
WA-003-019	2512-21	Valve and Hydrant Requirements in Concrete Walk	April 2021
WA-003-020	2512-22	Direct Bury Check Valve (300mm Diameter or Smaller)	April 2021
WA-004-001	2513-01	Fire Hydrant Placement (Typical)	April 2021
WA-004-002	-	Deep Bury Fire Hydrant Placement (Typical)	April 2021
WA-004-003	2513-02	Fire Hydrant Protection Placement	April 2021
WA-004-004	-	Fire Hydrant Hording Detail	April 2021
WA-004-005	-	Fire Hydrant Access Pad	April 2021
WA-005-001	2514-01	50 mm & Smaller Copper Water Service	April 2021
WA-005-002	2514-02	50 mm & Smaller Copper, Polymer, or Composite Water Service	April 2021
WA-005-003	2514-03a	Service Box Detail for 20mm, 25mm Water Service (Two Piece Casing)	April 2021
WA-005-004	2514-03b	Service Box Detail for 20mm, 25mm Water Service (One Piece Casing)	April 2021
WA-005-005	2514-04a	Service Box Detail for 40mm, 50mm Water Service (Two Piece Casing)	April 2021
WA-005-006	2514-04b	Service Box Detail for 40mm, 50mm Water Service (One Piece Casing)	April 2021
WA-005-007	2514-09	Typical Single and Dual Service For New Developments	April 2021



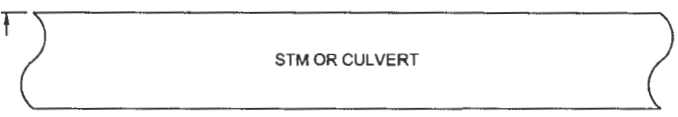
WA-005-008	2514-07	Typical Dual Service for Duplex / Semi-Detached Lots	April 2021
WA-005-009	2514-10	100 mm to 300 mm Water Service for Unsuitable Foundation Condition (Building Abutting Property Line)	April 2021
WA-005-010	2514-11	100 mm to 300 mm Water Service for Unsuitable Foundation Condition (Building Removed from Property Line)	April 2021
WA-005-011a	2514-12a	Water Servicing Requirements	April 2021
WA-005-011b	2514-12b	Water Servicing Requirements	April 2021
WA-005-012	2514-13	Backflow Prevention for Private Service Looping	April 2021
WA-005-013	Net New	Curb Cock Location Stamp	April 2021
WA-006-001	2511-02	Standard Trench Bedding for Circular Pipe	April 2021
WA-007-001	2516-01	Anode Test Station Installation	April 2021
WA-007-002	2516-02	Anode Installation – Exothermic Welding	April 2021
WA-007-003	2516-03	Anode Installation at Hydrant & Connection to Existing Cast Iron Mains	April 2021
WA-007-004	2516-04	Typical Anode Installation for Iron Fittings used with PVC Water Mains	April 2021
WA-007-005	2516-05	Test Station Plug Detail	April 2021
WA-007-006	2516-06	Anode on 50 mm and Smaller Copper Water Service	April 2021
WA-007-007	2516-07	Cathodic Protection Exothermic Welding Components	April 2021
WA-007-008	2516-08	Cathodic Protection – Test Station	April 2021
WA-007-009	Net New	Anode Installation - Pin Brazing	April 2021
WA-012-001	2520-01	Specifications for Meter Settings Without Fire Protection System	April 2021
WA-012-002	2520-02	Specifications for Meter Settings With Fire Protection System	April 2021
WA-012-003	2520-03	Specifications for Meter Settings With Horizontal Bypasses	April 2021
WA-012-004	2520-04	Specifications for Meter Settings With Vertical Bypasses	April 2021
WA-012-005	2520-05	Specifications for Multiple Meters (Meter Bank) Without Fire Protection System	April 2021
WA-012-006	2520-06	Specifications for Multiple Meters (Meter Bank) With Fire Protection System	April 2021
WA-012-007	2520-07	Specifications for Meter Settings With Fire Risk Service	April 2021
WA-012-008	2520-08	Typical Installation of a 100 mm (4") Water Meter	April 2021
WA-012-009	2520-09	Electromagnetic Flow Meter Assembly	April 2021



HORIZONTAL

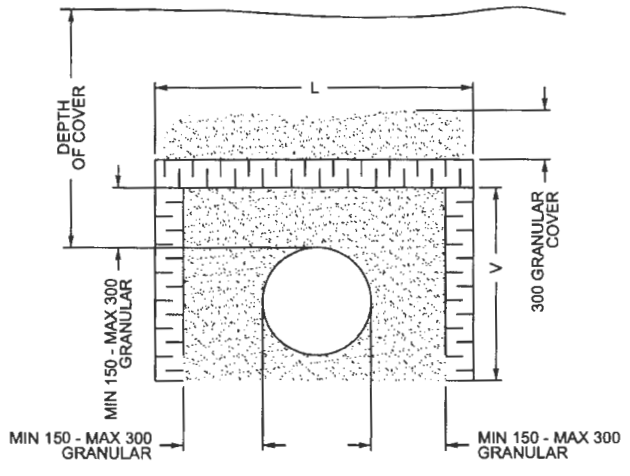


VERTICAL SEPARATION (VS)  
MIN 1200



$W = L + 2V$   
 $W = W @ \text{MIN (DOB, VS)}$

BOX

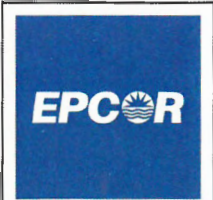


$W = L + 2V$   
 $V \text{ TO BE LESS THAN OR EQUAL TO } L$

INVERTED "U"

- NOTES:  
 1. ALL DIMENSIONS ARE IN MILLIMETRES UNLESS OTHERWISE SPECIFIED.  
 2. APPLICABLE WHEN USING FILLCRETE, GRANULAR OR CLAY BACKFILL FOR WATER MAINS WITH A DEPTH OF COVER LESS THAN THE MINIMUM, AS DESCRIBED IN THE DESIGN STANDARDS, SECTION 6.2.  
 3. USE DOW HI-40 STYROFOAM BOARD, OR APPROVED EQUAL.

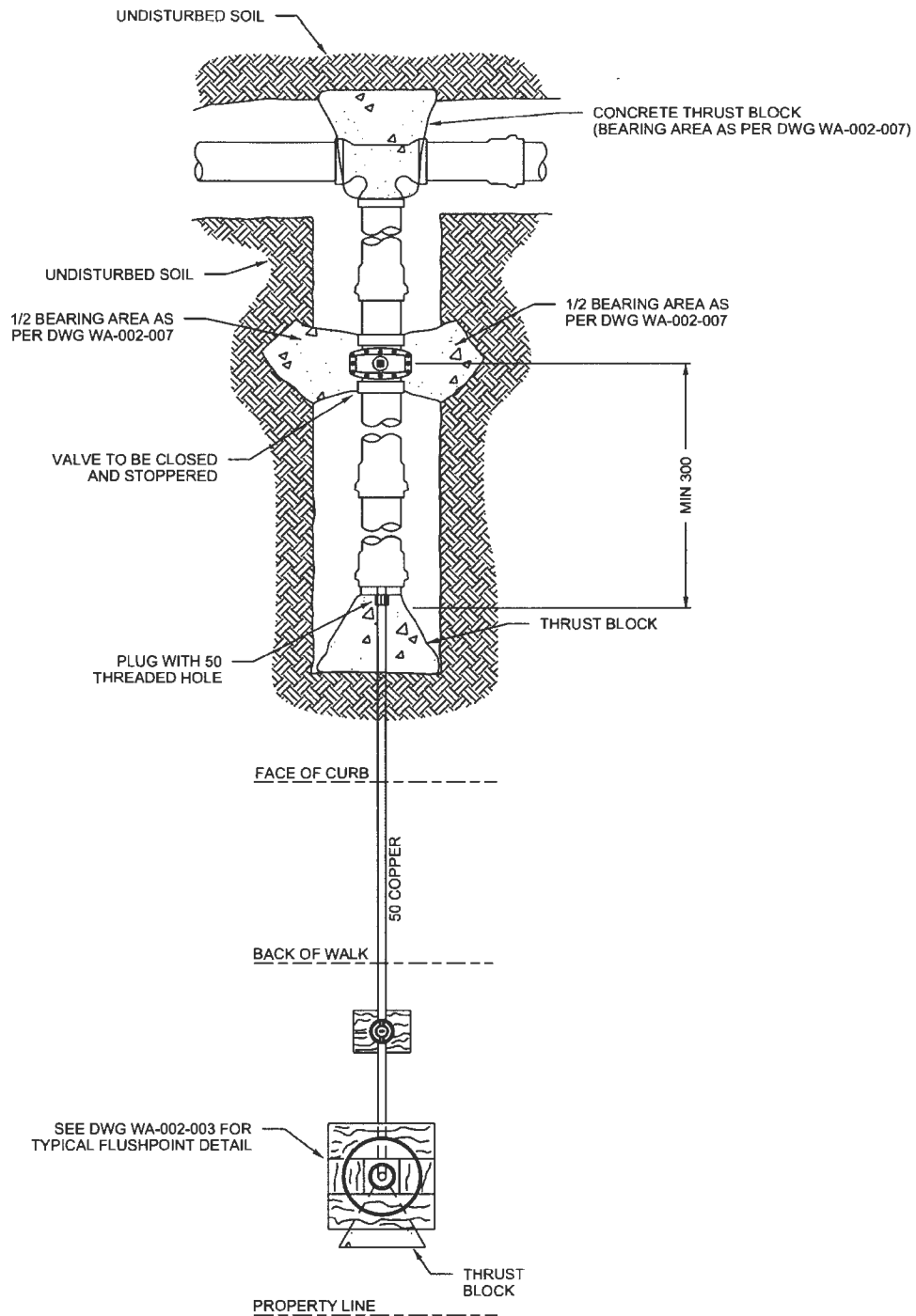
COVER DEPTH m	THICKNESS mm (IN)	WIDTH (W) m
1.1 - 1.4	90 (3.5)	3.4
1.4 - 1.7	75 (3.0)	2.8
1.7 - 2.0	75 (3.0)	2.2
2.0 - 2.3	50 (2.0)	1.6
2.3 - 2.9	40 (1.5)	1.0
BELOW 2.9	-	-



## INSULATION REQUIREMENTS FOR WATER MAINS / SERVICES

APPROVED APRIL 2021	DRAWN BY C WRIGHT	APPROVED 	DRAWING NUMBER <b>WA-002-001</b>
SCALE NTS	CHECKED BY D MATHEW	DIRECTOR, WATER DISTRIBUTION AND TRANSMISSION	OLD DRAWING NUMBER <b>2511-08</b>





- NOTES:
1. ALL DIMENSIONS ARE IN MILLIMETRES UNLESS OTHERWISE SPECIFIED.
  2. DESIGN BASIS:
    - a. HYDRAULIC PRESSURE 1034 kPa (150 psi).
    - b. SOIL BEARING CAPACITY 72 kPa (1500 lb/sq.ft).
  3. TEMPORARY BLOCKING MUST BE APPROVED BY THE ENGINEER.
  4. CONCRETE STRENGTH SHALL BE 32 MPa AT 56 DAYS.
  5. CONCRETE TO BE SULPHATE RESISTANT TYPE HS ACCORDING TO THE MOST RECENT PUBLICATION OF CSA-A3000 UNLESS OTHERWISE APPROVED BY THE ENGINEER.
  6. CONCRETE TO BE CLEAR OF BELLS.
  7. CONCRETE TO BE PLACED UNDER ALL FITTINGS.
  8. CONCRETE THRUST BLOCK REQUIRED FOR ALL FITTING.
  9. BEARING SURFACE MUST BE ON UNDISTURBED SOIL UNLESS OTHERWISE APPROVED BY THE ENGINEER.

## TYPICAL DEAD END UP TO 300mm



APPROVED  
APRIL 2021

DRAWN BY  
C WRIGHT

APPROVED

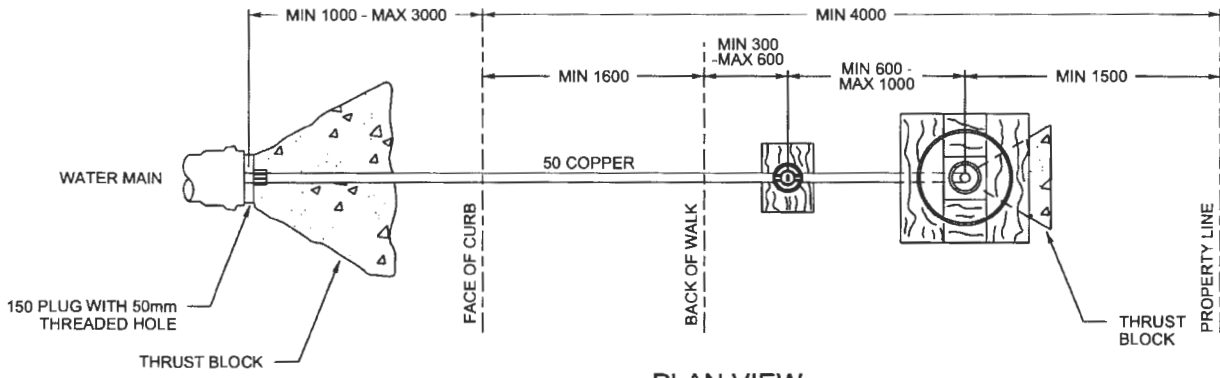
*[Signature]*  
DIRECTOR, WATER DISTRIBUTION AND TRANSMISSION

DRAWING NUMBER  
WA-002-002

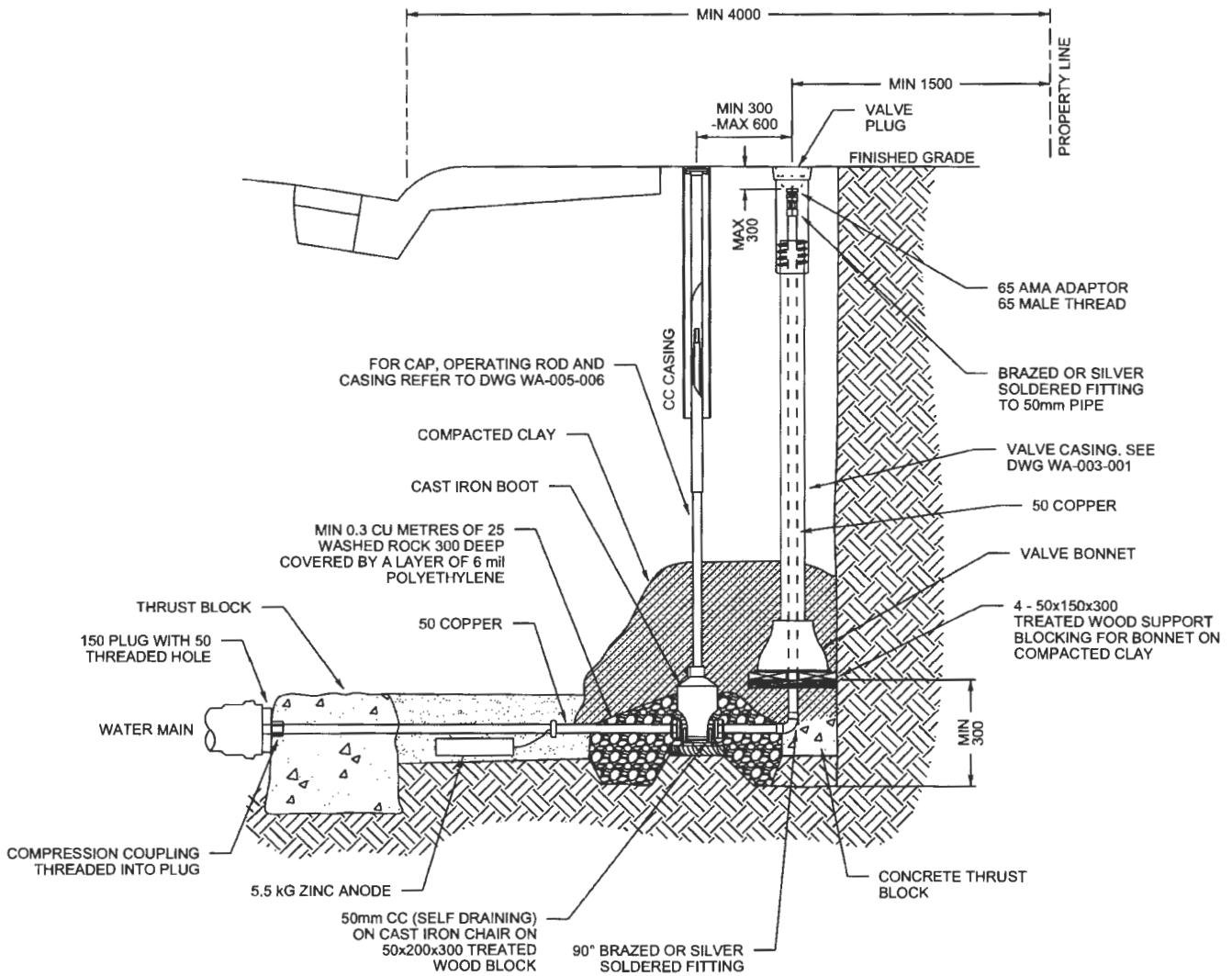
OLD DRAWING NUMBER  
2511-06

SCALE  
NTS

CHECKED BY  
D MATHEW



PLAN VIEW



SECTION

- NOTES:
1. ALL DIMENSIONS ARE IN MILLIMETRES UNLESS OTHERWISE SPECIFIED.
  2. BRAZED OR SILVER SOLDERED FITTINGS MAY BE REPLACED WITH EPCOR APPROVED ALTERNATIVE.
  3. ADJUST BOULEVARD DIMENSIONS BASED ON THE WALK SIZE.

## TYPICAL FLUSH POINT DETAIL

**EPCOR**

APPROVED  
APRIL 2021

DRAWN BY  
C WRIGHT

APPROVED

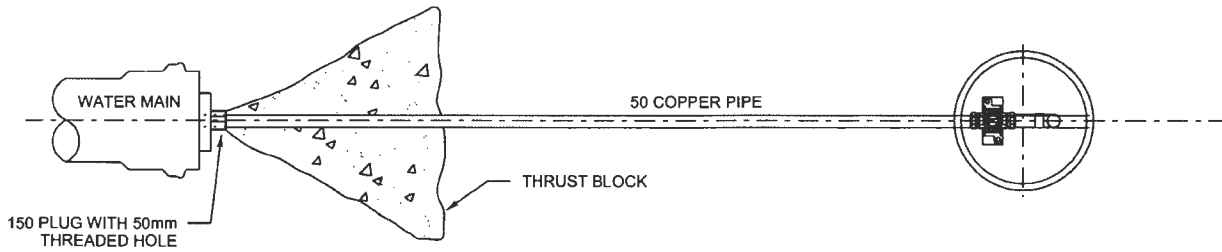
*[Signature]*  
DIRECTOR, WATER DISTRIBUTION AND TRANSMISSION

DRAWING NUMBER  
**WA-002-003**

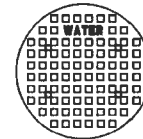
OLD DRAWING NUMBER  
**2511-11**

SCALE  
NTS

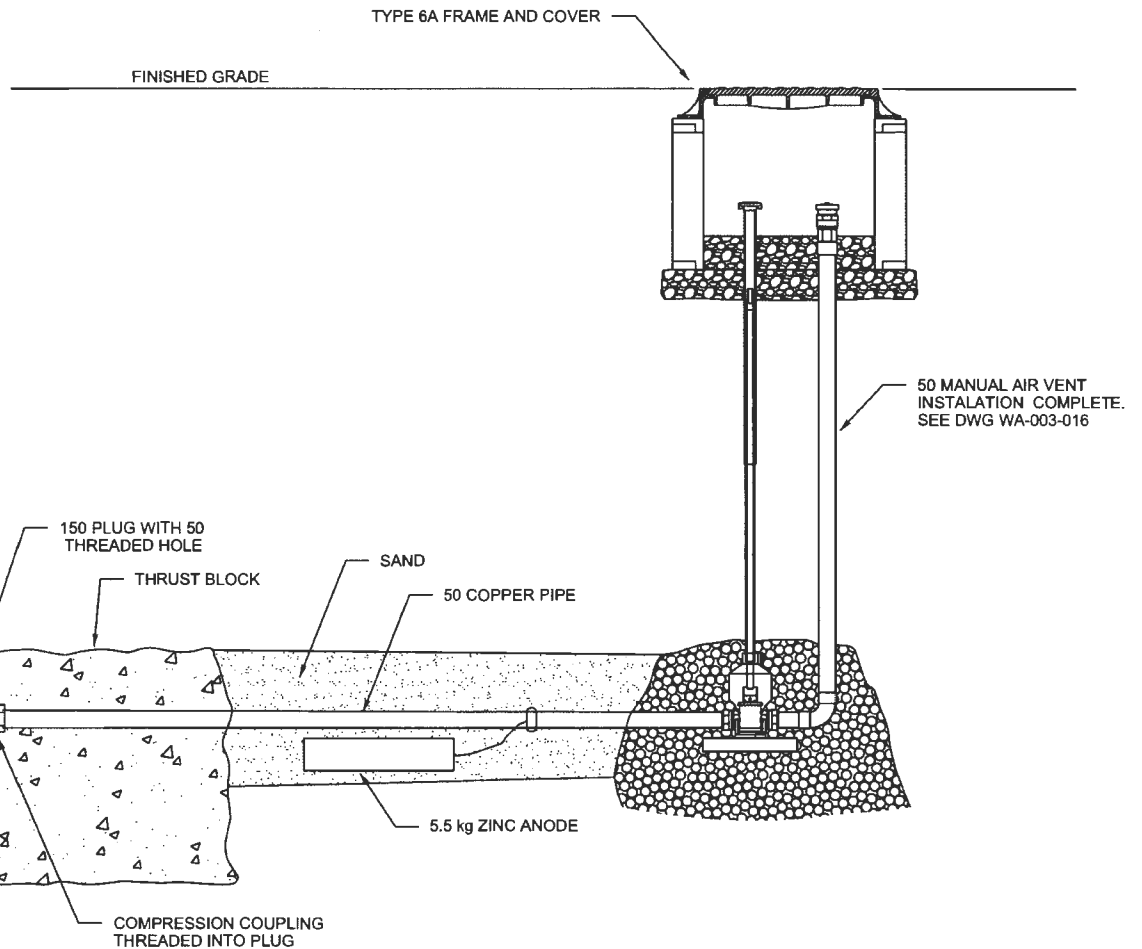
CHECKED BY  
D MATHEW



PLAN



MANHOLE COVER




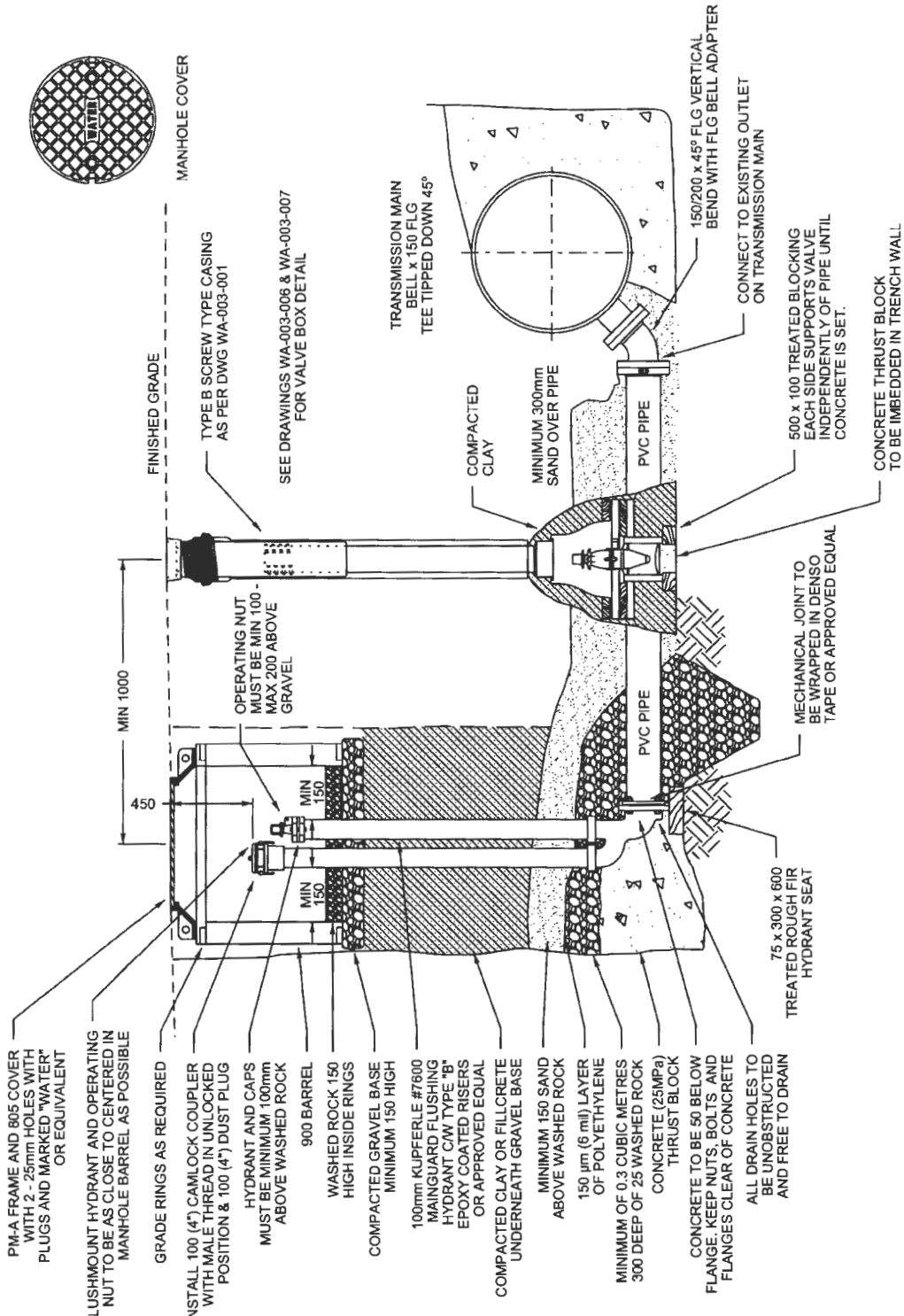
PROFILE

- NOTES:  
 1. ALL DIMENSIONS ARE IN MILLIMETRES UNLESS OTHERWISE SPECIFIED.  
 2. BRAZED OR SILVER SOLDERED FITTINGS MAY BE REPLACED WITH EPCOR APPROVED ALTERNATIVE.



## FLUSH POINT IN ROADWAY (SHALLOW CHAMBER)

APPROVED APRIL 2021	DRAWN BY C WRIGHT	APPROVED 	DRAWING NUMBER <b>WA-002-004</b>
SCALE NTS	CHECKED BY D MATHEW	DIRECTOR, WATER DISTRIBUTION AND TRANSMISSION	OLD DRAWING NUMBER <b>2512-20</b>



**NOTES:**

1. ALL DIMENSIONS ARE IN MILLIMETRES UNLESS OTHERWISE SPECIFIED.
2. BACKFILL AS PER CITY DESIGN AND CONSTRUCTION STANDARDS.
3. ENSURE ADEQUATE HORIZONTAL THRUST RESTRAINT FOR 150 / 200 GATE VALVES.
4. CONCRETE TO BE CLEAR OF ALL BELLS AND FLANGES.
5. WHERE CONCRETE BASE WITH DOWELS PRESENT, GRADE RINGS AND WASHED ROCK SHALL REST ON REQUIRED CONCRETE BASE.
6. SEE DWG WA-007-003 FOR CATHODIC PROTECTION REQUIREMENTS.
7. COMPACT GRAVEL BASE TO A MINIMUM 100% OF THE MAXIMUM DENSITY IN THE ROADWAY AND 95% IN THE BOULEVARD.
8. CONCRETE STRENGTH SHALL BE 32MPa AT 56 DAYS.
9. CONCRETE TO BE SULPHATE RESISTANT TYPE HS ACCORDING TO THE MOST RECENT PUBLICATION OF CSA-A3000 UNLESS OTHERWISE APPROVED BY THE ENGINEER.

## FLUSHMOUNT HYDRANT DETAIL

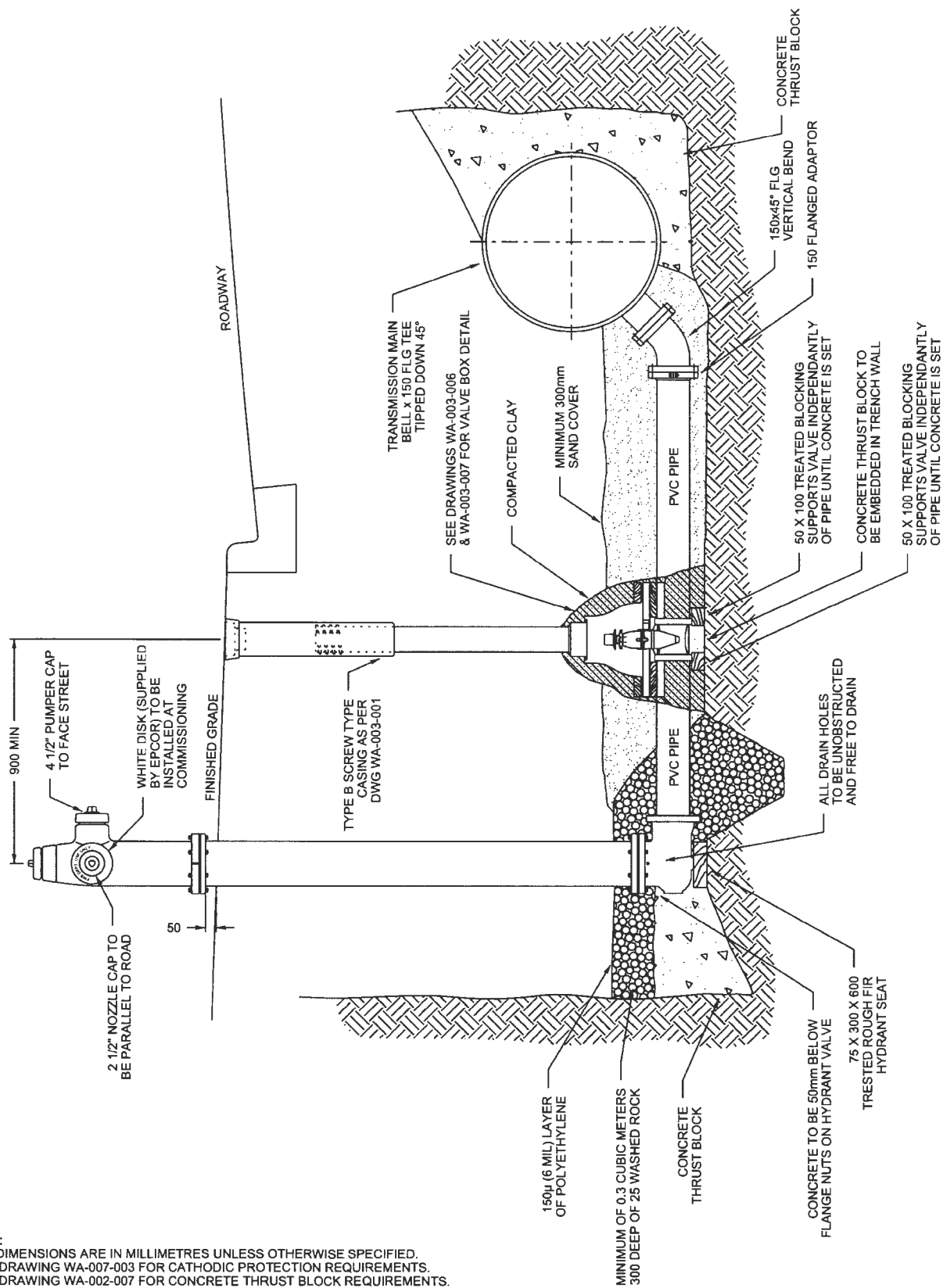


APPROVED  
APRIL 2021  
  
SCALE  
NTS

DRAWN BY  
C WRIGHT  
  
CHECKED BY  
D MATHEW

APPROVED  
  
*[Signature]*  
DIRECTOR, WATER DISTRIBUTION AND TRANSMISSION

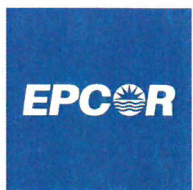
DRAWING NUMBER  
**WA-002-005**  
OLD DRAWING NUMBER  
**2511-09**



**NOTES:**

1. ALL DIMENSIONS ARE IN MILLIMETRES UNLESS OTHERWISE SPECIFIED.
2. SEE DRAWING WA-007-003 FOR CATHODIC PROTECTION REQUIREMENTS.
3. SEE DRAWING WA-002-007 FOR CONCRETE THRUST BLOCK REQUIREMENTS.
4. IF HYDRANT LEAD DEPTH OF BURY EXCEEDS 3.0m, REFER TO DRAWING WA-004-002.

## BLOW OFF HYDRANT WITH TIPPED DOWN TEE



APPROVED  
APRIL 2021

DRAWN BY  
C WRIGHT

APPROVED

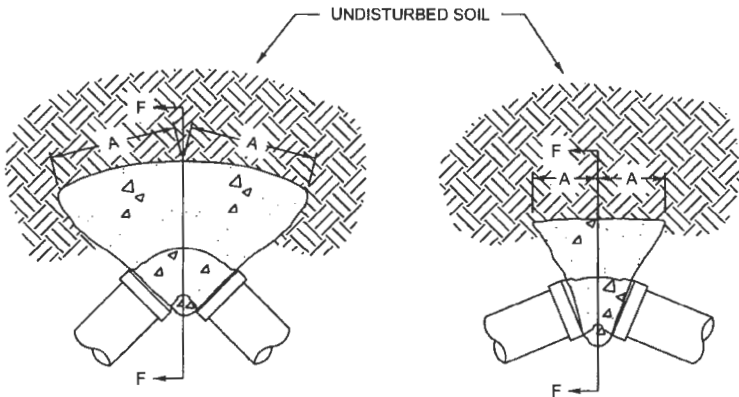
DIRECTOR, WATER DISTRIBUTION AND TRANSMISSION

DRAWING NUMBER  
**WA-002-006**

OLD DRAWING NUMBER  
**2512-19**

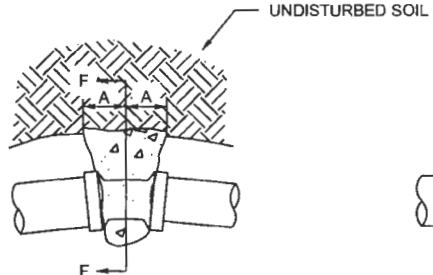
SCALE  
NTS

CHECKED BY  
D MATHEW

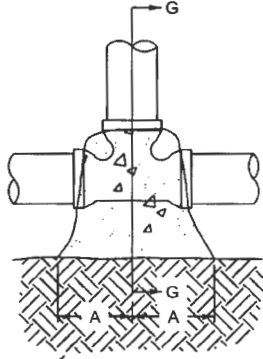


90° BEND

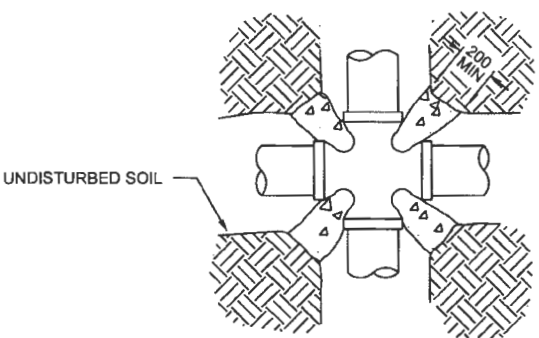
45° BEND



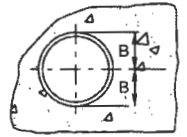
11.25° BEND



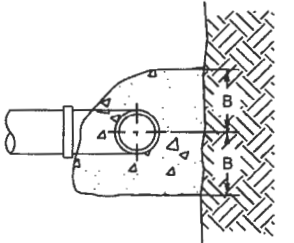
TEE



CROSS



SECTION F - F



SECTION G - G

TEE, DEAD END & VALVE							
DIA (mm)	100	150	200	250	300	350	400
A (mm)	250	375	575	800	1025	925	1025
B (mm)	125	175	200	225	250	375	450
AREA (m <sup>2</sup> )	0.13	0.26	0.46	0.72	1.03	1.39	1.85
11.25° BEND							
DIA (mm)	100	150	200	250	300	350	400
A (mm)	50	100	150	175	225	275	325
B (mm)	125	150	175	200	225	250	275
AREA (m <sup>2</sup> )	0.03	0.06	0.11	0.16	0.23	0.30	0.41
22.5° BEND							
DIA (mm)	100	150	200	250	300	350	400
A (mm)	100	175	225	325	350	425	450
B (mm)	125	150	200	225	300	325	400
AREA (m <sup>2</sup> )	0.05	0.11	0.18	0.29	0.42	0.55	0.72
45° BEND							
DIA (mm)	100	150	200	250	300	350	400
A (mm)	175	300	450	500	650	725	875
B (mm)	125	175	200	275	300	375	400
AREA (m <sup>2</sup> )	0.09	0.21	0.36	0.55	0.78	1.09	1.40
90° BEND							
DIA (mm)	100	150	200	250	300	350	400
A (mm)	325	525	800	925	1050	950	1000
B (mm)	125	175	200	275	350	525	650
AREA (m <sup>2</sup> )	0.16	0.37	0.64	1.02	1.47	2.00	2.60


FOR DEAD END PLUG THRUST BLOCK AND VALVE THRUST BLOCK SEE DRAWING WA-002-002 OR WA-002-010

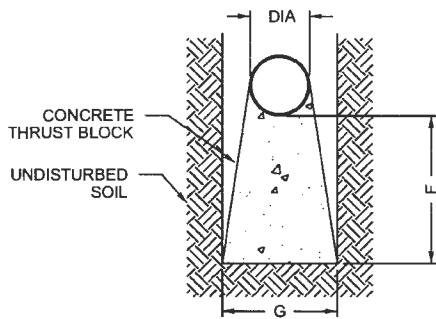
NOTES:

- ALL DIMENSIONS ARE IN MILLIMETRES UNLESS OTHERWISE SPECIFIED.
- DESIGN BASIS:
  - HYDRAULIC PRESSURE 1034 kPa (150 psi).
  - SOIL BEARING CAPACITY 72 kPa (1500 lb/sq.ft).
- TEMPORARY BLOCKING MUST BE APPROVED BY THE ENGINEER.
- CONCRETE STRENGTH SHALL BE 32 MPa AT 56 DAYS.
- CONCRETE TO BE SULPHATE RESISTANT TYPE HS ACCORDING TO THE MOST RECENT PUBLICATION OF CSA-A3000 UNLESS OTHERWISE APPROVED BY THE ENGINEER.
- CONCRETE TO BE CLEAR OF BELLS.
- CONCRETE TO BE PLACED UNDER ALL FITTINGS.
- CONCRETE THRUST BLOCK REQUIRED FOR ALL FITTING.
- BEARING SURFACE MUST BE ON UNDISTURBED SOIL UNLESS OTHERWISE APPROVED BY THE ENGINEER.

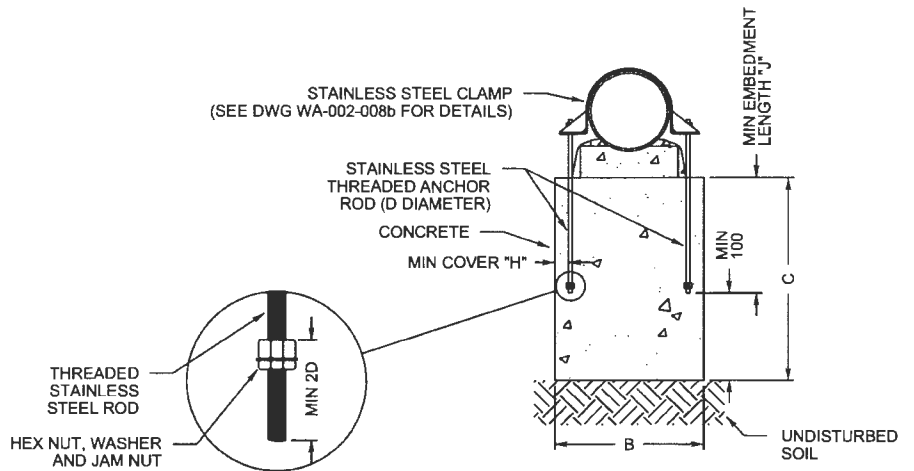


# HORIZONTAL CONCRETE THRUST BLOCK DETAILS

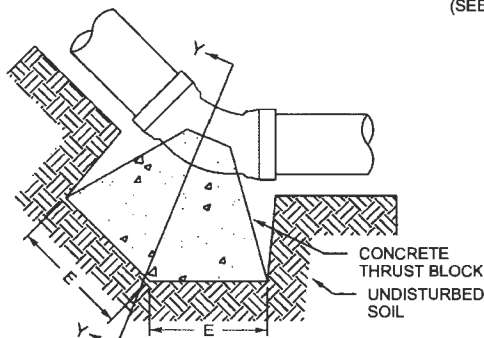
APPROVED APRIL 2021	DRAWN BY C WRIGHT	APPROVED	DRAWING NUMBER <b>WA-002-007</b>
SCALE NTS	CHECKED BY D MATHEW	 DIRECTOR, WATER DISTRIBUTION AND TRANSMISSION	OLD DRAWING NUMBER <b>2511-03</b>



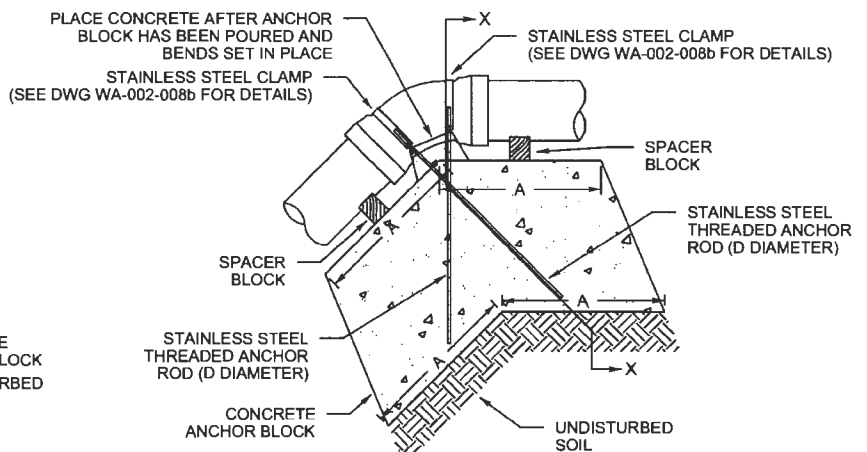
SECTION Y-Y



SECTION X-X



UP-THRUST BLOCK PROFILE

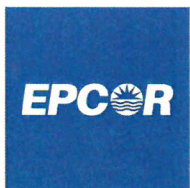


DOWN-THRUST BLOCK PROFILE

MINIMUM DIMENSIONS (mm)												
PIPE SIZE	A	B	C	D	E	F	G	H	J	W	T	REQUIRED VOL (m <sup>3</sup> )
100	400	450	750	13	400	650	700	80	300	64	9.5	0.25
150	550	700	750	13	700	725	800	80	300	64	9.5	0.57
200	650	900	900	19	800	900	1000	120	350	89	9.5	1.02
250	775	950	1100	19	900	1000	1250	155	350	89	9.5	1.59
300	1100	950	1100	25	1000	1175	1400	155	450	89	9.5	2.29
350	1100	1100	1300	25	1100	1350	1500	155	600	102	12.7	3.12
400	1225	1250	1350	25	1350	1450	1500	155	600	114	12.7	4.07

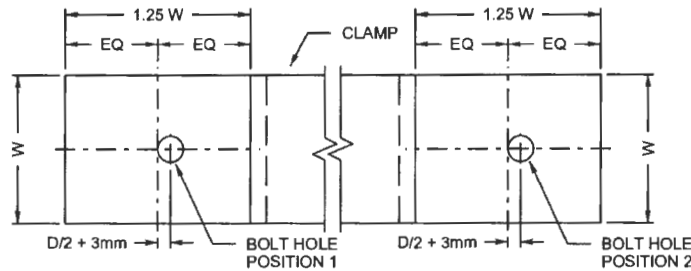
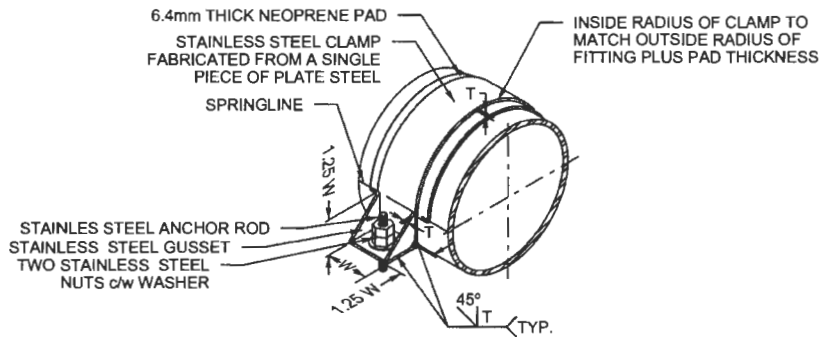
NOTES:

- ALL DIMENSIONS ARE IN MILLIMETRES UNLESS OTHERWISE SPECIFIED.
- DESIGN BASIS:
  - HYDRAULIC PRESSURE 1034 kPa (150 psi).
  - SOIL BEARING CAPACITY 72 kPa (1500 lb/sq.ft)
- TEMPORARY BLOCKING MUST BE APPROVED BY THE ENGINEER.
- CONCRETE STRENGTH SHALL BE 32 MPa AT 56 DAYS.
- CONCRETE TO BE SULPHATE RESISTANT TYPE HS ACCORDING TO THE MOST RECENT PUBLICATION OF CSA-A3000 UNLESS OTHERWISE APPROVED BY THE ENGINEER.
- CONCRETE TO BE CLEAR OF BELLS AND PIPE.
- CONCRETE TO BE PLACED UNDER ALL FITTINGS.
- CONCRETE THRUST BLOCK REQUIRED FOR ALL FITTINGS.
- BEARING SURFACE MUST BE ON UNDISTURBED SOIL UNLESS OTHERWISE APPROVED BY THE ENGINEER.
- CONCRETE SHALL BE PLACED TO WITHIN 50mm OF THE FACE OF THE BELL.
- POLYETHYLENE BOND BREAKER TO BE USED BETWEEN CONCRETE AND FITTINGS.
- THIS BLOCKING IS FOR BENDS UP TO 45° ONLY.
- ALL BOLTS SHALL BE STAINLESS STEEL GRADE ASTM A193 CLASS 1 B8. NUTS SHALL BE GRADE A194 GRADE 8.
- ALL OTHER STEEL SHALL BE STAINLESS STEEL GRADE ASTM A276 TYPE S304.
- STAINLESS STEEL TO BE FABRICATED BY A SHOP CERTIFIED BY THE CANADIAN WELDING BUREAU TO THE REQUIREMENTS OF CSA-W47.1, DIVISION 1 OR 2.1 ONLY. WELDING TO CONFORM TO CSA-W59.1 STANDARD REQUIREMENTS.
- CLAMP TO REST ON BELL OF PVC FITTINGS AND ON FITTING BODY FOR CAST IRON OR DUCTILE IRON FITTINGS.
- FOR EACH SET OF CLAMPS, THE BOLT PATTERN SHALL BE REVERSED.



VERTICAL BEND THRUST BLOCK DETAIL

APPROVED APRIL 2021	DRAWN BY C WRIGHT	APPROVED	DRAWING NUMBER <b>WA-002-008a</b>
SCALE NTS	CHECKED BY D MATHEW	 DIRECTOR, WATER DISTRIBUTION AND TRANSMISSION	OLD DRAWING NUMBER <b>2511-04</b>



MINIMUM DIMENSIONS (mm)												
PIPE SIZE	A	B	C	D	E	F	G	H	J	W	T	REQUIRED VOL (m <sup>3</sup> )
100	400	450	750	13	400	650	700	80	300	64	9.5	0.25
150	550	700	750	13	700	725	800	80	300	64	9.5	0.57
200	650	900	900	19	800	900	1000	120	350	89	9.5	1.02
250	775	950	1100	19	900	1000	1250	155	350	89	9.5	1.59
300	1100	950	1100	25	1000	1175	1400	155	450	89	9.5	2.29
350	1100	1100	1300	25	1100	1350	1500	155	600	102	12.7	3.12
400	1225	1250	1350	25	1350	1450	1500	155	600	114	12.7	4.07

**NOTES:**

1. ALL DIMENSIONS ARE IN MILLIMETRES UNLESS OTHERWISE SPECIFIED.
2. DESIGN BASIS:
  - a. HYDRAULIC PRESSURE 1034 kPa (150 psi).
  - b. SOIL BEARING CAPACITY 72 kPa (1500 lb/sq.ft)
3. TEMPORARY BLOCKING MUST BE APPROVED BY THE ENGINEER.
4. CONCRETE STRENGTH SHALL BE 32 MPa AT 56 DAYS.
5. CONCRETE TO BE SULPHATE RESISTANT TYPE HS ACCORDING TO THE MOST RECENT PUBLICATION OF CSA-A3000 UNLESS OTHERWISE APPROVED BY THE ENGINEER.
6. CONCRETE TO BE CLEAR OF BELLS AND PIPE.
7. CONCRETE TO BE PLACED UNDER ALL FITTINGS.
8. CONCRETE THRUST BLOCK REQUIRED FOR ALL FITTINGS.
9. BEARING SURFACE MUST BE ON UNDISTURBED SOIL UNLESS OTHERWISE APPROVED BY THE ENGINEER.

10. CONCRETE SHALL BE PLACED TO WITHIN 50mm OF THE FACE OF THE BELL.
11. POLYETHYLENE BOND BREAKER TO BE USED BETWEEN CONCRETE AND FITTINGS.
12. THIS BLOCKING IS FOR BENDS UP TO 45° ONLY.
13. ALL BOLTS SHALL BE STAINLESS STEEL GRADE ASTM A193 CLASS 1 B8. NUTS SHALL BE GRADE A194 GRADE 8.
14. ALL OTHER STEEL SHALL BE STAINLESS STEEL GRADE ASTM A276 TYPE S304.
15. STAINLESS STEEL TO BE FABRICATED BY A SHOP CERTIFIED BY THE CANADIAN WELDING BUREAU TO THE REQUIREMENTS OF CSA-W47.1, DIVISION 1 OR 2.1 ONLY. WELDING TO CONFORM TO CSA-W59.1 STANDARD REQUIREMENTS.
16. CLAMP TO REST ON BELL OF PVC FITTINGS AND ON FITTING BODY FOR CAST IRON OR DUCTILE IRON FITTINGS.
17. FOR EACH SET OF CLAMPS, THE BOLT PATTERN SHALL BE REVERSED.

## STAINLESS STEEL CLAMP FOR VERTICAL THRUST BLOCK DETAIL



APPROVED  
APRIL 2021

DRAWN BY  
C WRIGHT

APPROVED

DRAWING NUMBER  
**WA-002-008b**

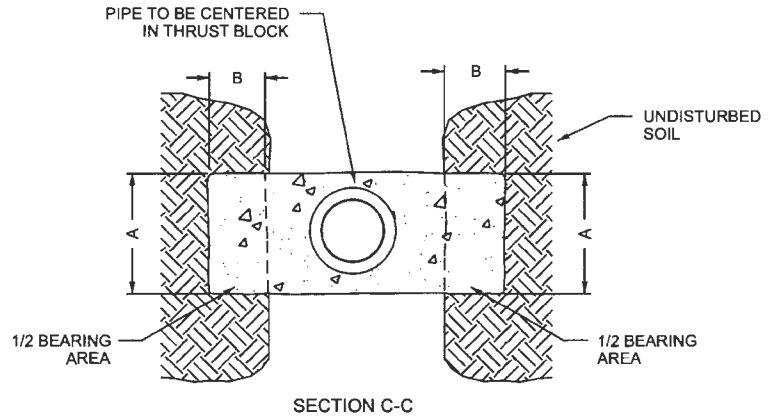
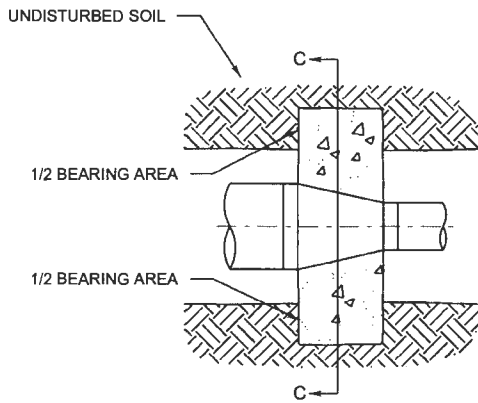
SCALE  
NTS

CHECKED BY  
D MATHEW

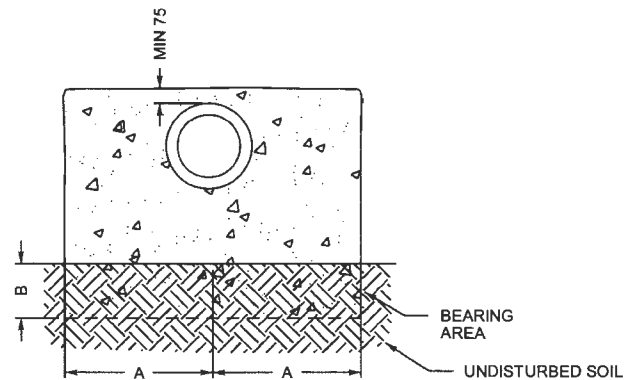
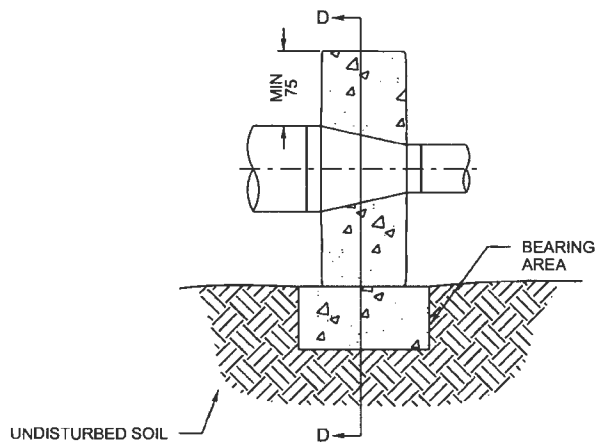
DIRECTOR, WATER DISTRIBUTION AND TRANSMISSION

OLD DRAWING NUMBER  
**2511-04**





OPTION 1: KEY INTO TRENCH WALL



SECTION D-D

OPTION 2: KEY INTO TRENCH FLOOR

IPS = IRON PIPE SIZE  
 AC ME = ASBESTOS CEMENT MACHINED END  
 AC BL = ASBESTOS CEMENT BAREL  
 CI OD = CAST IRON OUTSIDE DIAMETER

TRANSITION COUPLINGS (CI OD TO OTHER)- Required bearing area in sq. m										
CI OD to:	600	500	450	400	350	300	250	200	150	100
IPS	0.65	0.49	0.41	0.35	0.28	0.09	0.09	0.09	0.09	0.09
AC ME	0.85	0.55	0.43	0.28	0.21	0.15	0.10	0.09	0.09	0.09
AC BL	0.96	0.64	0.47	0.42	0.33	0.21	0.15	0.09	0.09	0.09

REDUCERS				
SMALL PIPE DIA (mm)	LARGE PIPE DIA (mm)	A (mm)	B (mm)	REQUIRED BEARING AREA (m <sup>2</sup> )
100	150	300	250	0.14
100	200	350	500	0.34
150	200	350	300	0.20
150	250	400	575	0.45
200	250	400	325	0.25
200	300	450	650	0.56
250	300	450	350	0.31
250	350	500	700	0.68
300	350	500	375	0.37
300	400	550	725	0.79
350	400	550	400	0.42

- NOTES:
- ALL DIMENSIONS ARE IN MILLIMETRES UNLESS OTHERWISE SPECIFIED.
  - DESIGN BASIS:
    - HYDRAULIC PRESSURE 1034 kPa (150 psi)
    - SOIL BEARING CAPACITY 72 kPa (1500 lb/sq. ft)
  - TEMPORARY BLOCKING MUST BE APPROVED BY THE ENGINEER.
  - CONCRETE STRENGTH SHALL BE 32 MPa AT 56 DAYS.
  - CONCRETE TO BE SULPHATE RESISTANT TYPE HS ACCORDING TO THE MOST RECENT PUBLICATION OF CSA-A3000 UNLESS OTHERWISE APPROVED BY THE ENGINEER.
  - CONCRETE TO BE CLEAR OF BELLS AND PIPE.
  - CONCRETE TO BE PLACED UNDER ALL FITTINGS.
  - CONCRETE THRUST BLOCK REQUIRED FOR ALL FITTINGS.
  - BEARING SURFACE MUST BE ON UNDISTURBED SOIL UNLESS OTHERWISE APPROVED BY THE ENGINEER.
  - REQUIRED BEARING AREA CAN BE ACHIEVED BY KEYING INTO TRENCH WALL OF FLOOR.

## THRUST BLOCKS FOR REDUCERS AND TRANSITION COUPLING



APPROVED  
APRIL 2021

DRAWN BY  
C WRIGHT

APPROVED

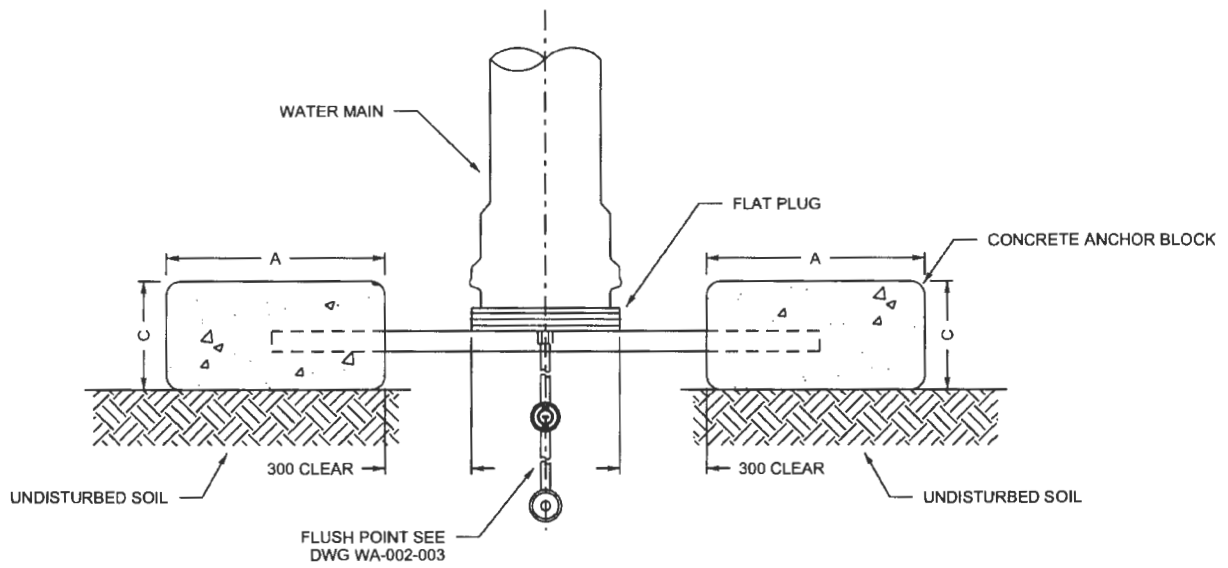
*[Signature]*  
DIRECTOR, WATER DISTRIBUTION AND TRANSMISSION

DRAWING NUMBER  
WA-002-009

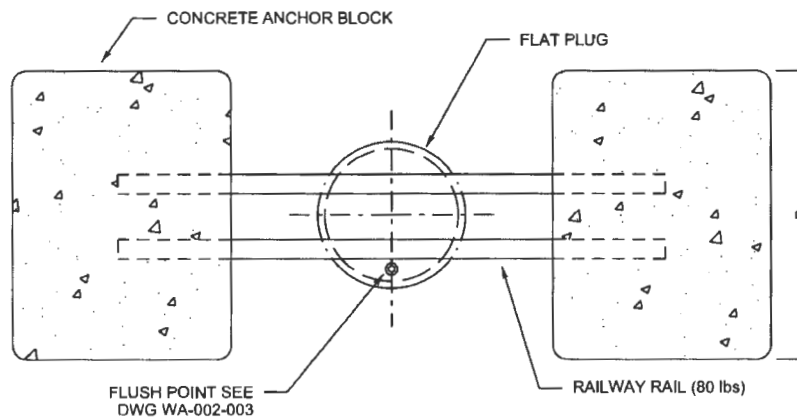
OLD DRAWING NUMBER  
2511-13

SCALE  
NTS

CHECKED BY  
D MATHEW



PLAN VIEW



ELEVATION

NOTES:

1. ALL DIMENSIONS ARE IN MILLIMETRES UNLESS OTHERWISE SPECIFIED.
2. CONCRETE STRENGTH SHALL BE 32 MPa AT 56 DAYS.
3. CONCRETE TO BE CLEAR OF BELLS AND PIPE.
4. CONCRETE TO BE SULPHATE RESISTANT TYPE HS ACCORDING TO THE MOST RECENT PUBLICATION OF CSA-A3000 UNLESS OTHERWISE APPROVED BY THE ENGINEER.
5. DIMENSIONS A, B & C TO BE PROVIDED ON THE ENGINEERING DRAWINGS.



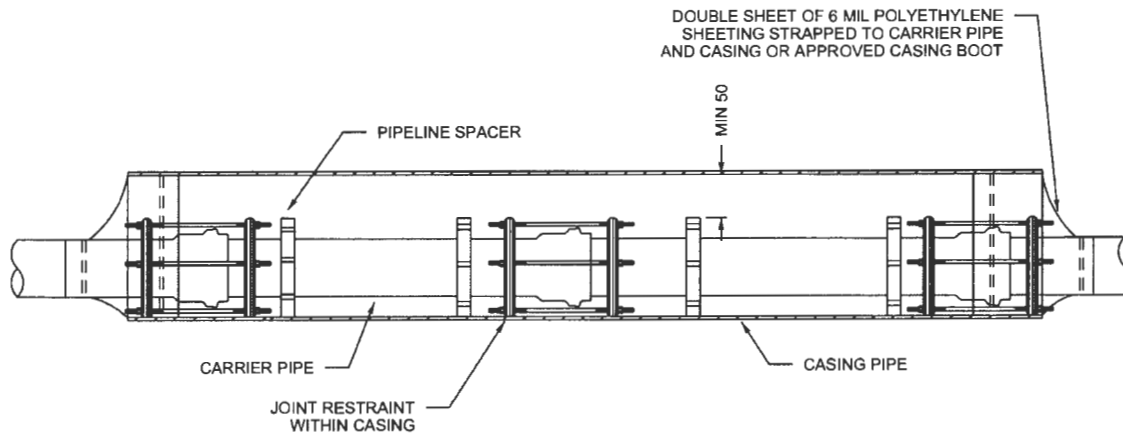
BLOCK AND RAIL PLUG DETAIL

APPROVED  
APRIL 2021  
SCALE  
NTS

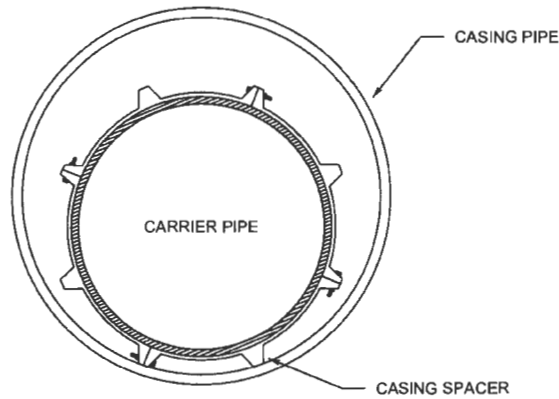
DRAWN BY  
C WRIGHT  
CHECKED BY  
D MATHEW

APPROVED  
*[Signature]*  
DIRECTOR, WATER DISTRIBUTION AND TRANSMISSION

DRAWING NUMBER  
**WA-002-010**  
OLD DRAWING NUMBER  
**2511-12**



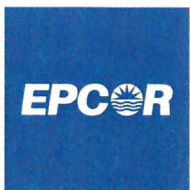
ELEVATION




SECTION

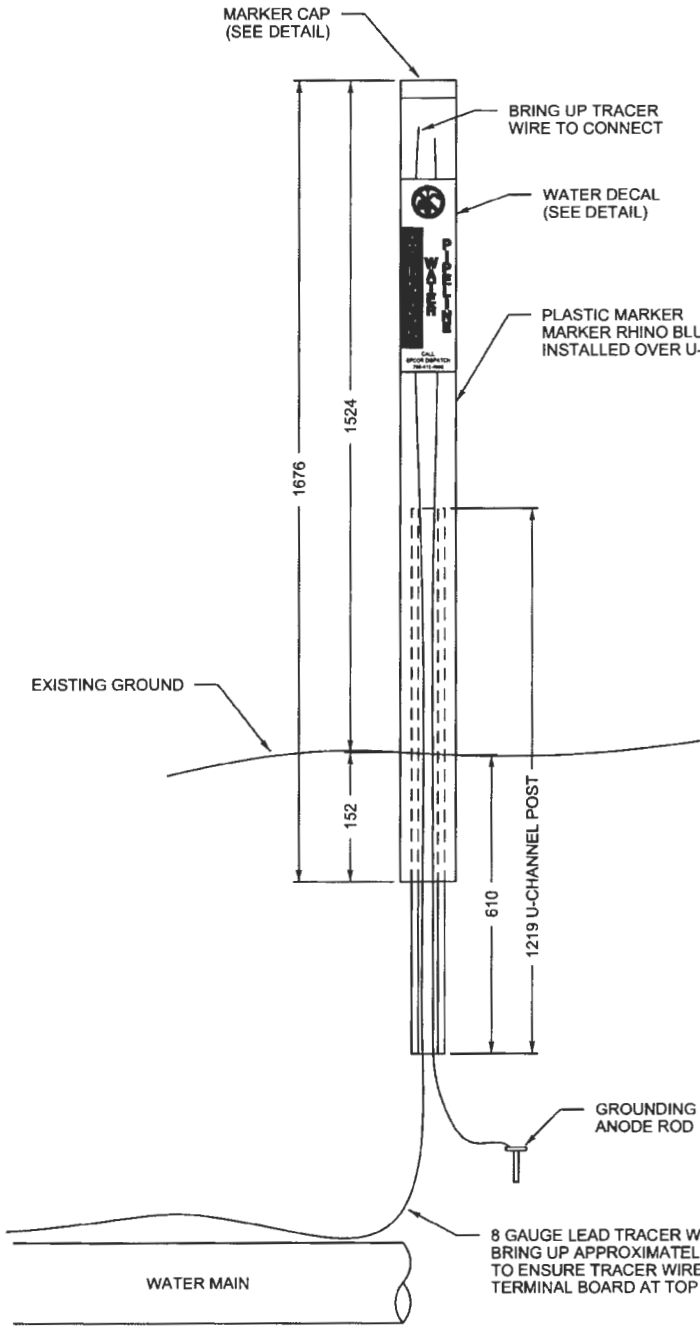
NOTES:

1. ALL DIMENSIONS ARE IN MILLIMETRES UNLESS OTHERWISE SPECIFIED.
2. CASING MATERIAL AND THICKNESS TO BE AS SPECIFIED ON CONSTRUCTION DRAWINGS.
3. DISTANCE BETWEEN SPACERS TO BE DETERMINED BY THE MATERIAL AND JOINT TYPE OF CARRIER PIPE BEING USED.
4. CASING COATING AND CATHODIC PROTECTION REQUIREMENTS TO BE AS SPECIFIED ON CONSTRUCTION DRAWINGS.
5. JOINT RESTRAINT REQUIREMENTS TO BE SPECIFIED ON CONSTRUCTION DRAWINGS.

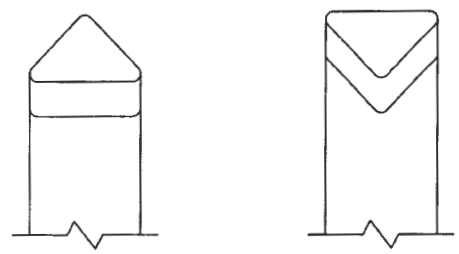


TYPICAL CASING AND PIPE WITH SPACER

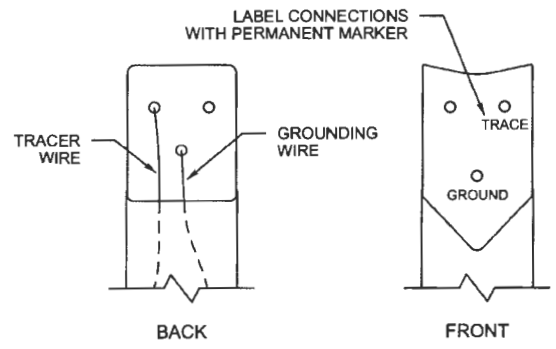
APPROVED APRIL 2021	DRAWN BY C WRIGHT	APPROVED 	DRAWING NUMBER WA-002-011
SCALE NTS	CHECKED BY D MATHEW	DIRECTOR, WATER DISTRIBUTION AND TRANSMISSION	OLD DRAWING NUMBER 2511-07



PROFILE



MARKER CAP DETAIL



TERMINAL BOARD DETAIL



WATER DECAL DETAIL

NOTE: ALL DIMENSIONS ARE IN MILLIMETRES UNLESS OTHERWISE SPECIFIED.

PLASTIC MARKER AND CHANNEL POST DETAIL

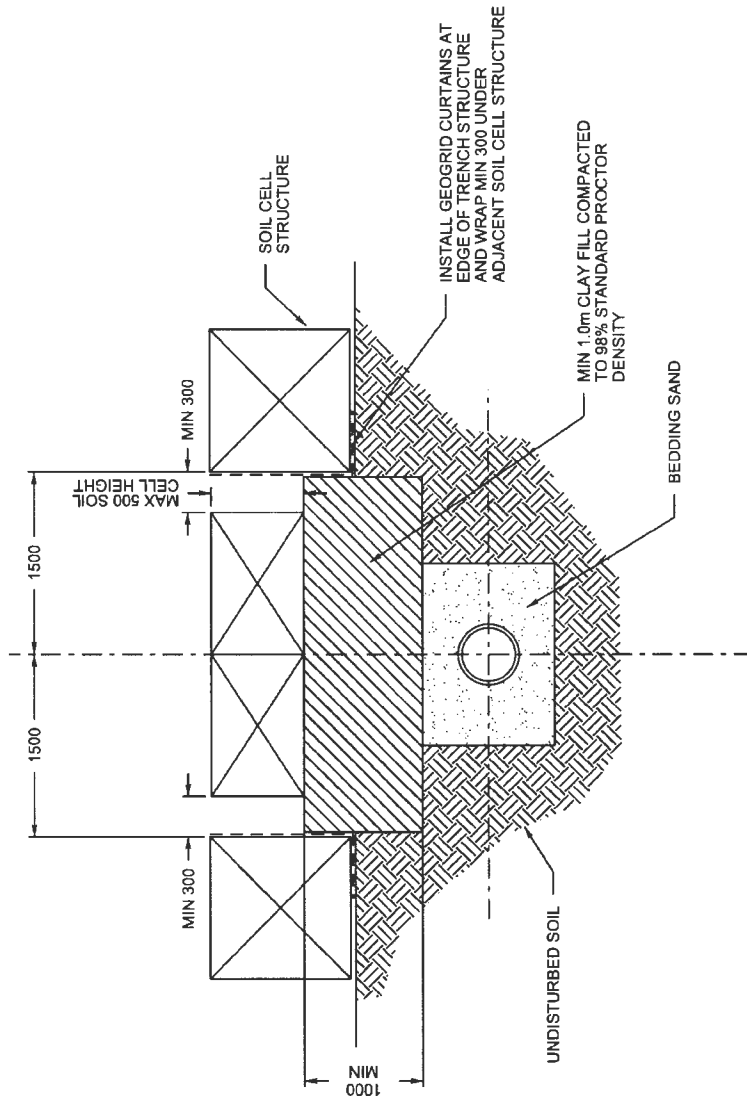


APPROVED  
APRIL 2021  
SCALE  
NTS

DRAWN BY  
C WRIGHT  
CHECKED BY  
D MATHEW

APPROVED  
*[Signature]*  
DIRECTOR, WATER DISTRIBUTION AND TRANSMISSION

DRAWING NUMBER  
WA-002-012  
OLD DRAWING NUMBER  
-

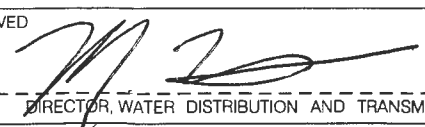


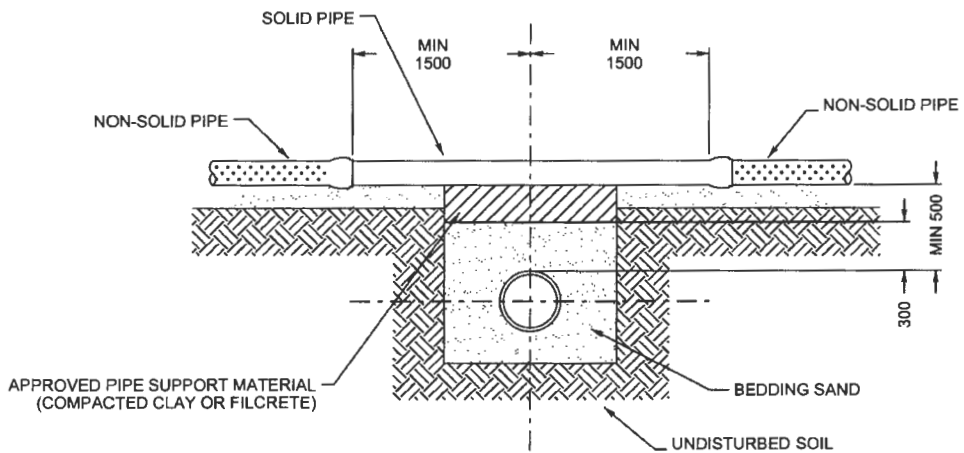
SOIL CELL INSTALLATION ABOVE EXISTING WATER MAINS

NOTE:  
1. ALL DIMENSIONS ARE IN MILLIMETRES UNLESS OTHERWISE SPECIFIED.



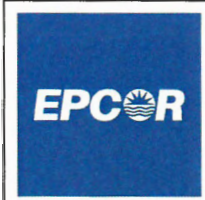
## SOIL CELL STRUCTURE OVER WATER MAINS

APPROVED APRIL 2021	DRAWN BY C WRIGHT	APPROVED 	DRAWING NUMBER WA-002-013
SCALE NTS	CHECKED BY D MATHEW	DIRECTOR, WATER DISTRIBUTION AND TRANSMISSION	OLD DRAWING NUMBER -




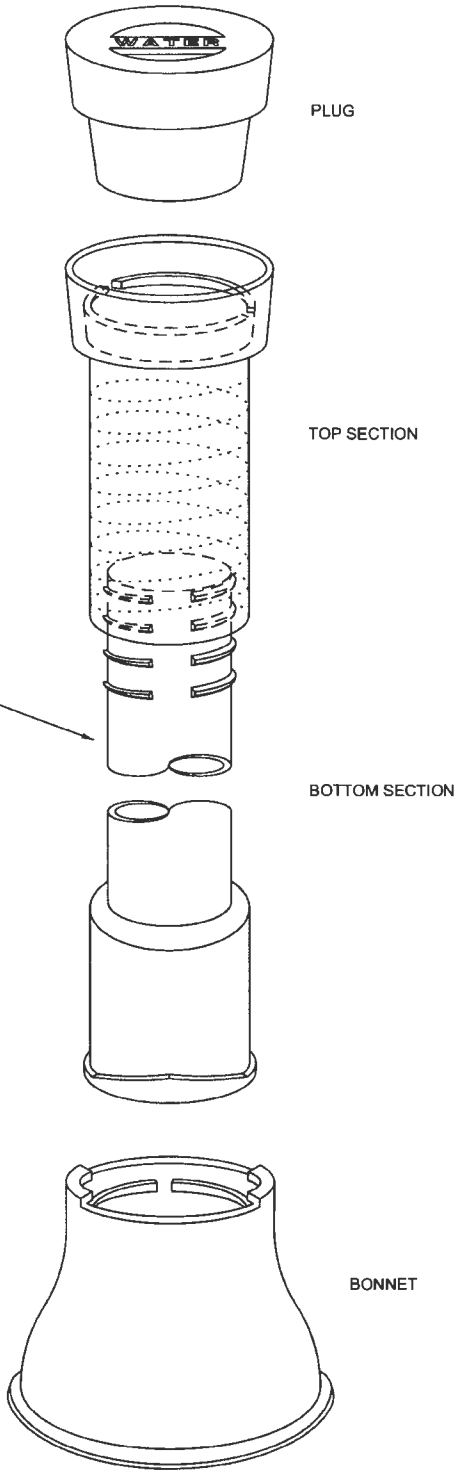
**SUBDRAIN INSTALLATION  
ACROSS EXISTING WATER MAINS**

- NOTES:  
 1. ALL DIMENSIONS ARE IN MILLIMETRES UNLESS OTHERWISE SPECIFIED.  
 2. INSULATION AS PER DWG WA-002-001 AS REQUIRED.



**SUBDRAIN INSTALLATION  
ACROSS EXISTING WATER MAINS**

APPROVED APRIL 2021	DRAWN BY C WRIGHT	APPROVED 	DRAWING NUMBER <b>WA-002-014</b>
SCALE NTS	CHECKED BY D MATHEW	----- DIRECTOR, WATER DISTRIBUTION AND TRANSMISSION	OLD DRAWING NUMBER -

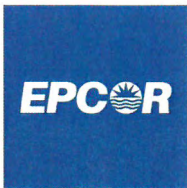


MIDDLE SECTION PER WA-003-003 MAY BE USED IF APPROVED BY THE ENGINEER PRIOR TO COMMENCING INSTALLATION

NOTES:  
 1. ALL DIMENSIONS ARE IN MILLIMETRES UNLESS OTHERWISE SPECIFIED.  
 2. MINIMUM 300mm OF THREADS AVAILABLE FROM TOP SECTION TO BOTTOM SECTION FOR RAISING AND LOWERING.

MANUFACTURING TOLERANCES:  
 ± 2mm FOR INDICATED CASTING DIMENSIONS OF 190mm OR LESS.  
 ± 3mm FOR INDICATED CASTING DIMENSIONS OF 191mm TO 280mm.  
 ± 4mm FOR INDICATED CASTING DIMENSIONS OF 281mm TO 380mm.

## VALVE CASING



APPROVED  
APRIL 2021

DRAWN BY  
C WRIGHT

APPROVED

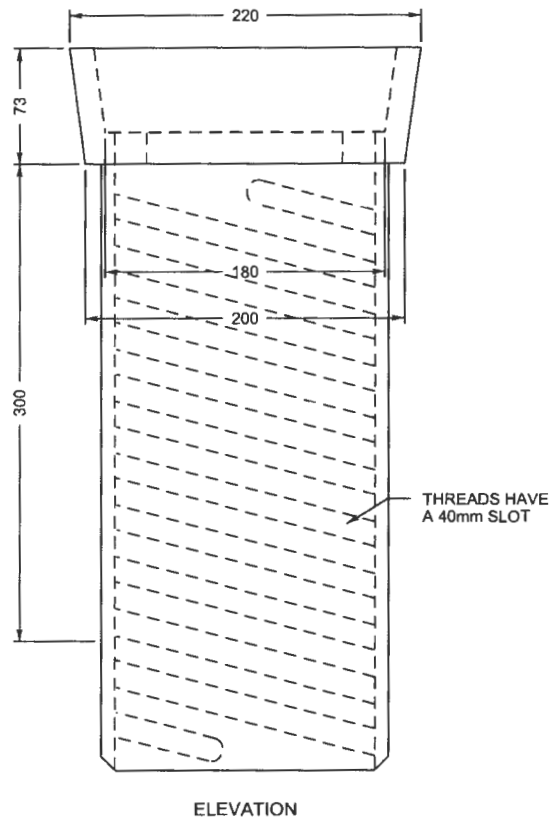
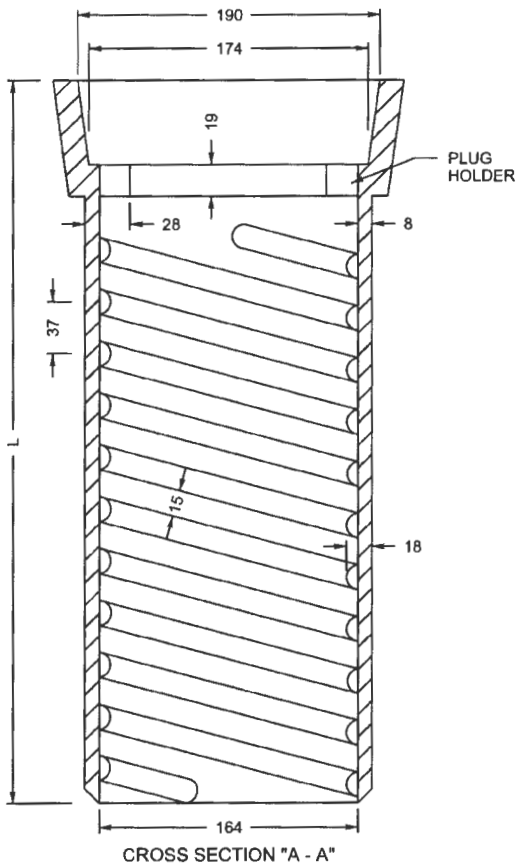
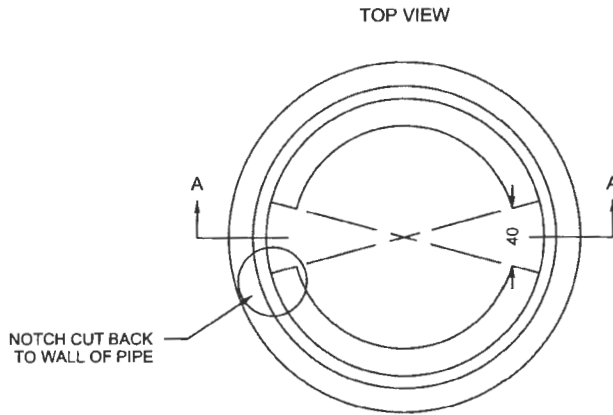
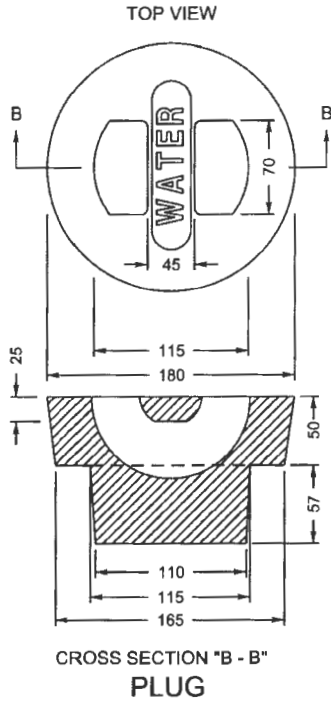
*[Signature]*  
 DIRECTOR, WATER DISTRIBUTION AND TRANSMISSION

DRAWING NUMBER  
**WA-003-001**

OLD DRAWING NUMBER  
**2512-01**

SCALE  
NTS

CHECKED BY  
D MATHEW



- NOTES:
1. ALL DIMENSIONS ARE IN MILLIMETRES UNLESS OTHERWISE SPECIFIED.
  2. L (LENGTH) SIZES ARE 600, 900 AND 1200mm.
  3. PLUG: DUCTILE IRON TO ASTM 536 GRADE 60-40-18.
  4. MINIMUM 300mm OF THREADS AVAILABLE FROM TOP SECTION TO BOTTOM SECTION FOR RAISING AND LOWERING.

MANUFACTURING TOLERANCES:  
 ± 2mm FOR INDICATED CASTING DIMENSIONS OF 190mm OR LESS.  
 ± 3mm FOR INDICATED CASTING DIMENSIONS OF 191mm TO 280mm.  
 ± 4mm FOR INDICATED CASTING DIMENSIONS OF 281mm TO 380mm.

## VALVE CASING TOP SECTION AND PLUG



APPROVED  
APRIL 2021

DRAWN BY  
C WRIGHT

APPROVED

DIRECTOR, WATER DISTRIBUTION AND TRANSMISSION

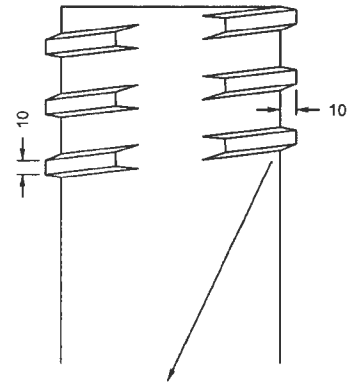
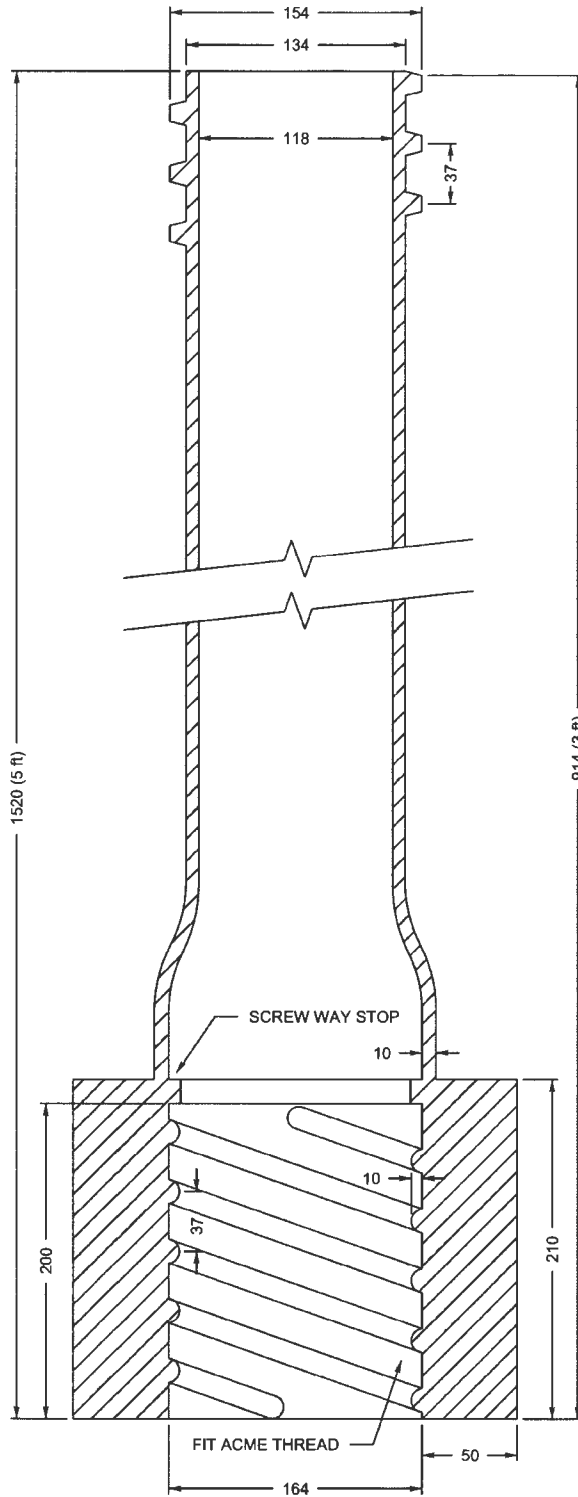
DRAWING NUMBER  
**WA-003-002**

OLD DRAWING NUMBER  
**2512-02**

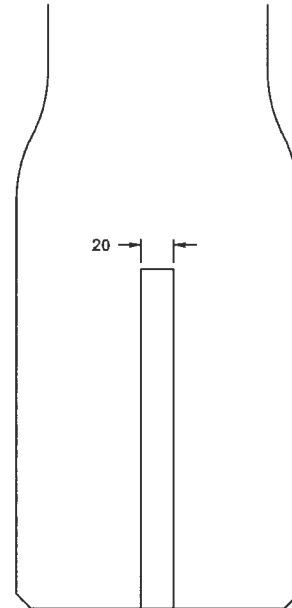
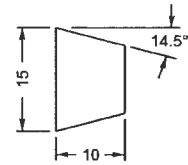
SCALE  
NTS

CHECKED BY  
D MATHEW





ACME THREAD

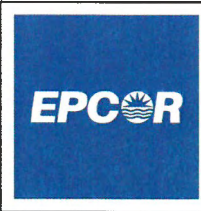


NOTES:

1. ALL DIMENSIONS ARE IN MILLIMETRES UNLESS OTHERWISE SPECIFIED.
2. L (LENGTH) SIZES ARE 600, 900 AND 1200mm.
3. PLUG: DUCTILE IRON TO ASTM 536 GRADE 60-40-18.
4. MINIMUM 300mm OF THREADS AVAILABLE FROM TOP SECTION TO BOTTOM SECTION FOR RAISING AND LOWERING.

MANUFACTURING TOLERANCES:

- ± 2mm FOR INDICATED CASTING DIMENSIONS OF 190mm OR LESS.
- ± 3mm FOR INDICATED CASTING DIMENSIONS OF 191mm TO 280mm.
- ± 4mm FOR INDICATED CASTING DIMENSIONS OF 281mm TO 380mm.



## VALVE CASING MIDDLE EXTENSIONS

APPROVED  
APRIL 2021

DRAWN BY  
C WRIGHT

APPROVED

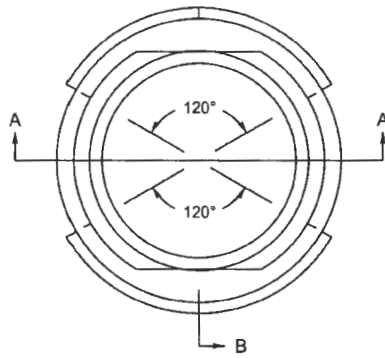
DIRECTOR, WATER DISTRIBUTION AND TRANSMISSION

DRAWING NUMBER  
**WA-003-003**

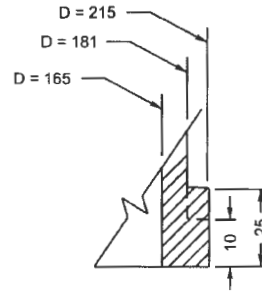
OLD DRAWING NUMBER  
**2512-03**

SCALE  
NTS

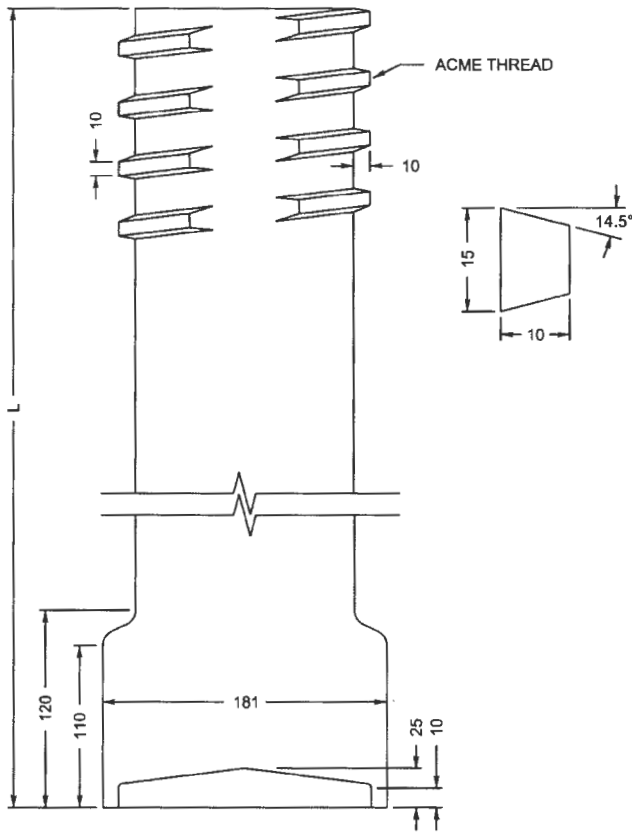
CHECKED BY  
D MATHEW



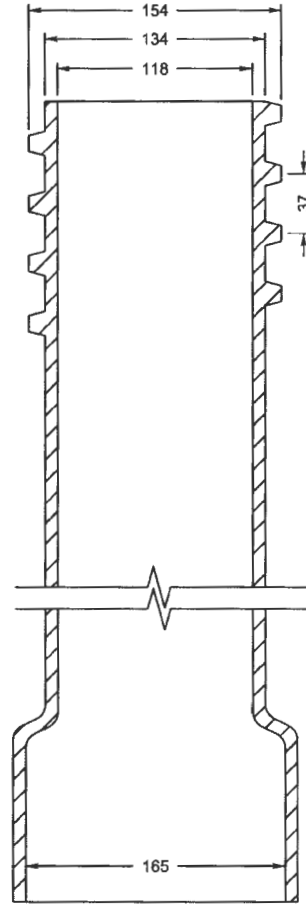
TOP VIEW



CROSS SECTION "B - B"



ELEVATION



CROSS SECTION "A - A"

- NOTES:
1. ALL DIMENSIONS ARE IN MILLIMETRES UNLESS OTHERWISE SPECIFIED.
  2. L (LENGTH) SIZES ARE 900, 1200 AND 1500mm.
  3. MINIMUM 300mm OF THREADS AVAILABLE FROM TOP SECTION TO BOTTOM SECTION FOR RAISING AND LOWERING.

MANUFACTURING TOLERANCES:  
 ± 2mm FOR INDICATED CASTING DIMENSIONS OF 190mm OR LESS.  
 ± 3mm FOR INDICATED CASTING DIMENSIONS OF 191mm TO 280mm.  
 ± 4mm FOR INDICATED CASTING DIMENSIONS OF 281mm TO 380mm.

## VALVE CASING BOTTOM SECTION

**EPCOR**

APPROVED  
APRIL 2021

DRAWN BY  
C WRIGHT

APPROVED

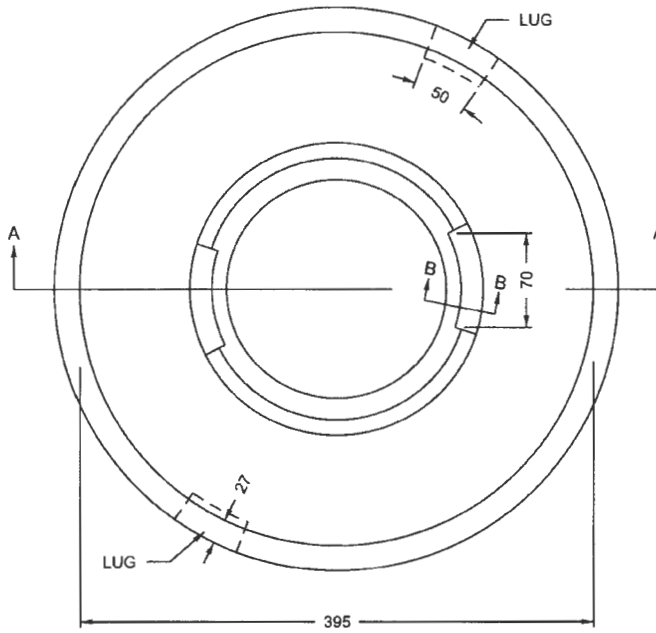
*[Signature]*  
DIRECTOR, WATER DISTRIBUTION AND TRANSMISSION

DRAWING NUMBER  
**WA-003-004**

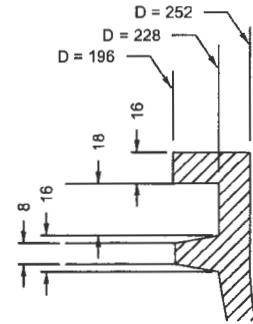
OLD DRAWING NUMBER  
**2512-04**

SCALE  
NTS

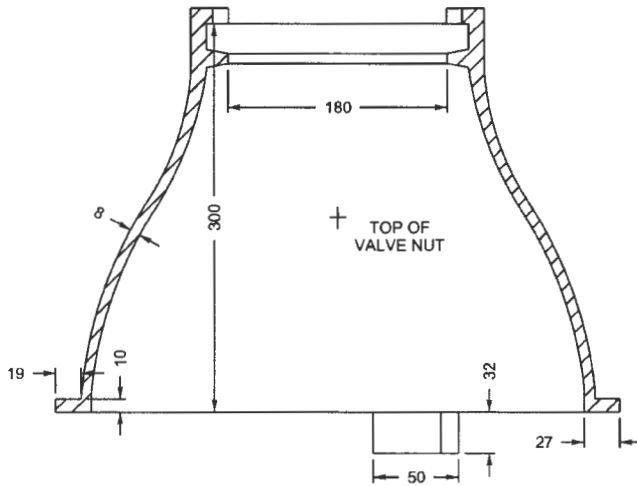
CHECKED BY  
D MATHEW



TOP VIEW



CROSS SECTION "B - B"



CROSS SECTION "A - A"

NOTES:  
 1. ALL DIMENSIONS ARE IN MILLIMETRES UNLESS OTHERWISE SPECIFIED.  
 2. MATERIAL: DUCTILE IRON TO ASTM 536 GRADE 60-40-18.

MANUFACTURING TOLERANCES:  
 ± 2mm FOR INDICATED CASTING DIMENSIONS OF 190mm OR LESS.  
 ± 3mm FOR INDICATED CASTING DIMENSIONS OF 191mm TO 280mm.  
 ± 4mm FOR INDICATED CASTING DIMENSIONS OF 281mm TO 380mm.

## VALVE BONNET



APPROVED  
APRIL 2021

DRAWN BY  
C WRIGHT

APPROVED

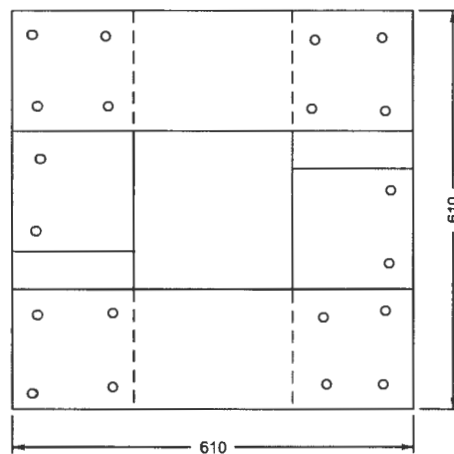
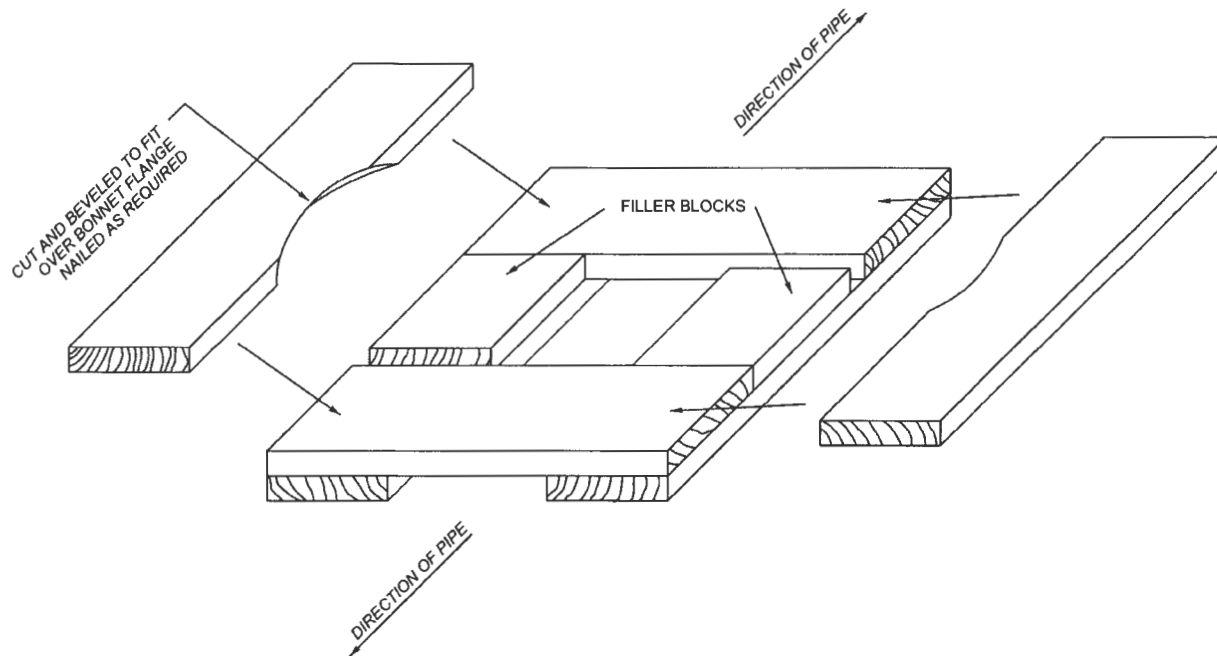
DRAWING NUMBER  
WA-003-005

SCALE  
NTS

CHECKED BY  
D MATHEW

DIRECTOR, WATER DISTRIBUTION AND TRANSMISSION

OLD DRAWING NUMBER  
2512-05

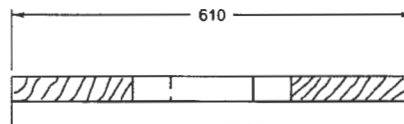
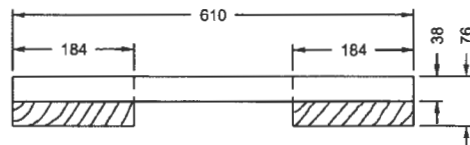


CONSTRUCTED FROM 38mm x 184mm  
CONSTRUCTION GRADE LUMBER  
(SPRUCE, PINE, FIR)

ALL WOOD MEMBERS ARE  
TO BE TREATED WITH GREEN  
COPPERWOOD PRESERVATIVE  
#580025

USE 89mm COATED NAILS (3 1/2")

PLAN VIEW



FRONT VIEW

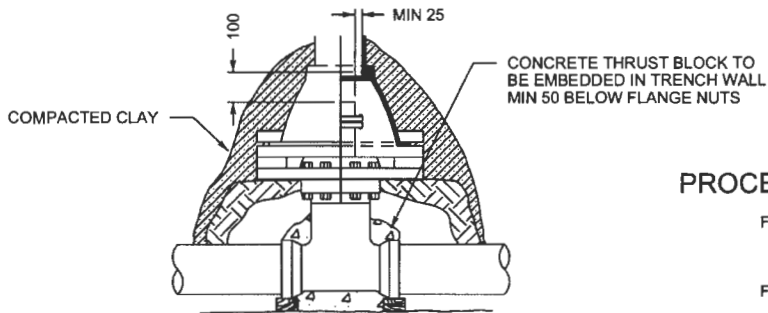
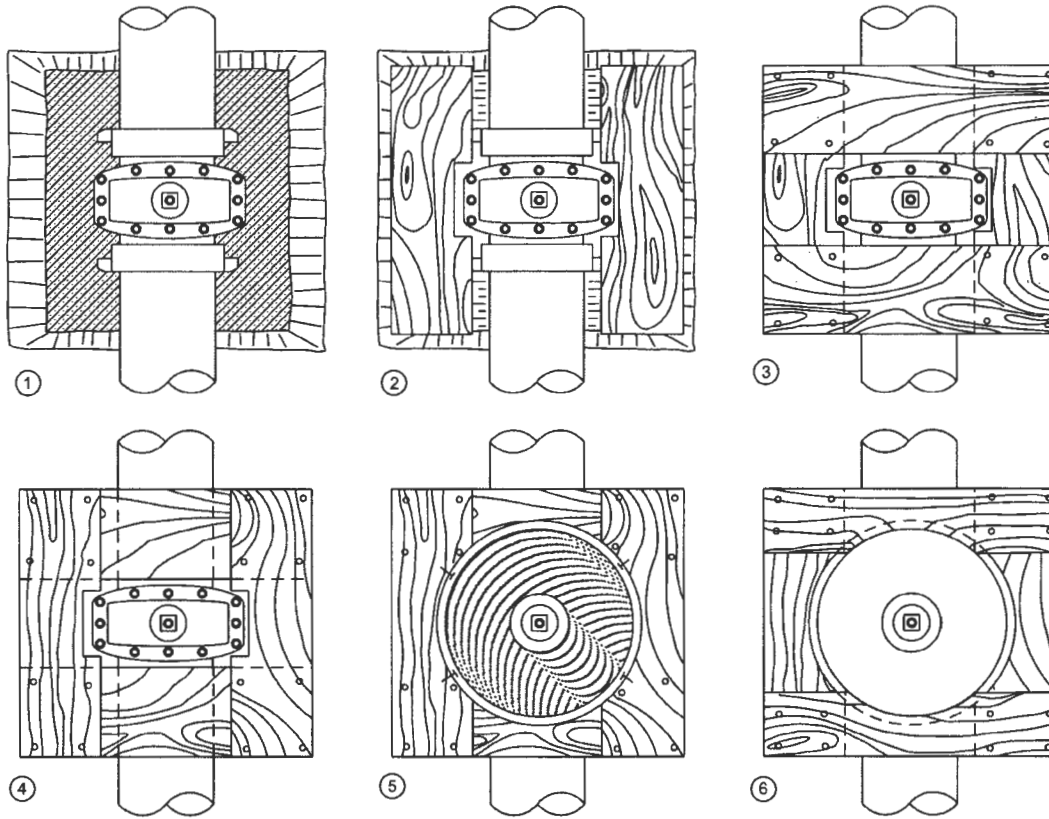
FRONT VIEW

- NOTES:  
1. ALL DIMENSIONS ARE IN MILLIMETRES UNLESS OTHERWISE SPECIFIED.  
2. SEE ALSO DRAWING WA-003-007.

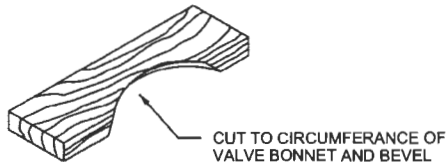


## VALVE BOX MATERIAL DETAIL

APPROVED APRIL 2021	DRAWN BY C WRIGHT	APPROVED 	DRAWING NUMBER <b>WA-003-006</b>
SCALE NTS	CHECKED BY D MATHEW	DIRECTOR, WATER DISTRIBUTION AND TRANSMISSION	OLD DRAWING NUMBER <b>2512-06</b>



50X100 BLOCKING SUPPORTS VALVE INDEPENDENTLY OF PIPE UNTIL CONCRETE IS SET UP



### PROCEDURE (ALSO REFER TO DWG WA-003-006)

- FIG 1 - BUILD A 600mm X 600mm LEVEL BASE OF COMPACTED CLAY USING A FLAT TAMPER UP TO WITHIN 10mm OF THE TOP OF THE TOP FLANGE.
- FIG 2 - CUT OR NOTCH OUT TWO OF THE 50mm X 200mm X 600mm TREATED BOARDS THE WIDTH OF THE VALVE FLANGE AND LAY ON BASE PARALLEL TO PIPE.
- FIG 3 - INSTALL TWO 50mm X 200mm X 600mm TREATED BOARDS TRANSVERSELY OR AT RIGHT ANGLES TO THE FIRST SET AND NO CLOSER TO THE FLANGE THAN THE CUT OUT SO THAT THEY DO NOT PROTRUDE OVER THE FLANGE. NAIL WITH GALVANIZED COATED NAILS AS ILLUSTRATED. APPROX. 5mm CLEARANCE TO FLANGE.
- FIG 4 - ADD AND NAIL ALTERNATIVE LAYERS OF BOARDS MAKING SURE EDGES ARE NO CLOSER TO VALVE THAN CUT OUT. CONTINUE UNTIL MINIMUM REQUIRED CLEARANCE (100mm) FROM TOP OF VALVE BONNET TO VALVE NUT IS OBTAINED.
- FIG 5 - CENTER VALVE BONNET DECTION OVER OPERATING NUT AND FASTEN WITH FOUR NAILS WITH THE TOP 15-20mm BENT OVER TO SECURE IN PLACE.
- FIG 6 - TWO PIECES OF BOARD ARE NOW CUT OUT TO OUTSIDE CIRCUMFERENCE OF BONNET AND UNDERCUT TO ACCOMODATE BONNET THICKNESS. THESE ARE NOW NAILED TRANSVERSELY TO THE LAST LAYER OF BOARDS.
- FIG 7 - APPROPRIATE LENGTHS OF BOTTOM AND TOP SECTION OF CASING ARE NOW INSTALLED AND BACKFILLED WITH COMPACTED CLAY TO ABOVE JOINT.

NOTE:  
1. ALL DIMENSIONS ARE IN MILLIMETRES UNLESS OTHERWISE SPECIFIED.

## VALVE BOX CONSTRUCTION DETAIL

**EPCOR**

APPROVED  
APRIL 2021

DRAWN BY  
C WRIGHT

APPROVED

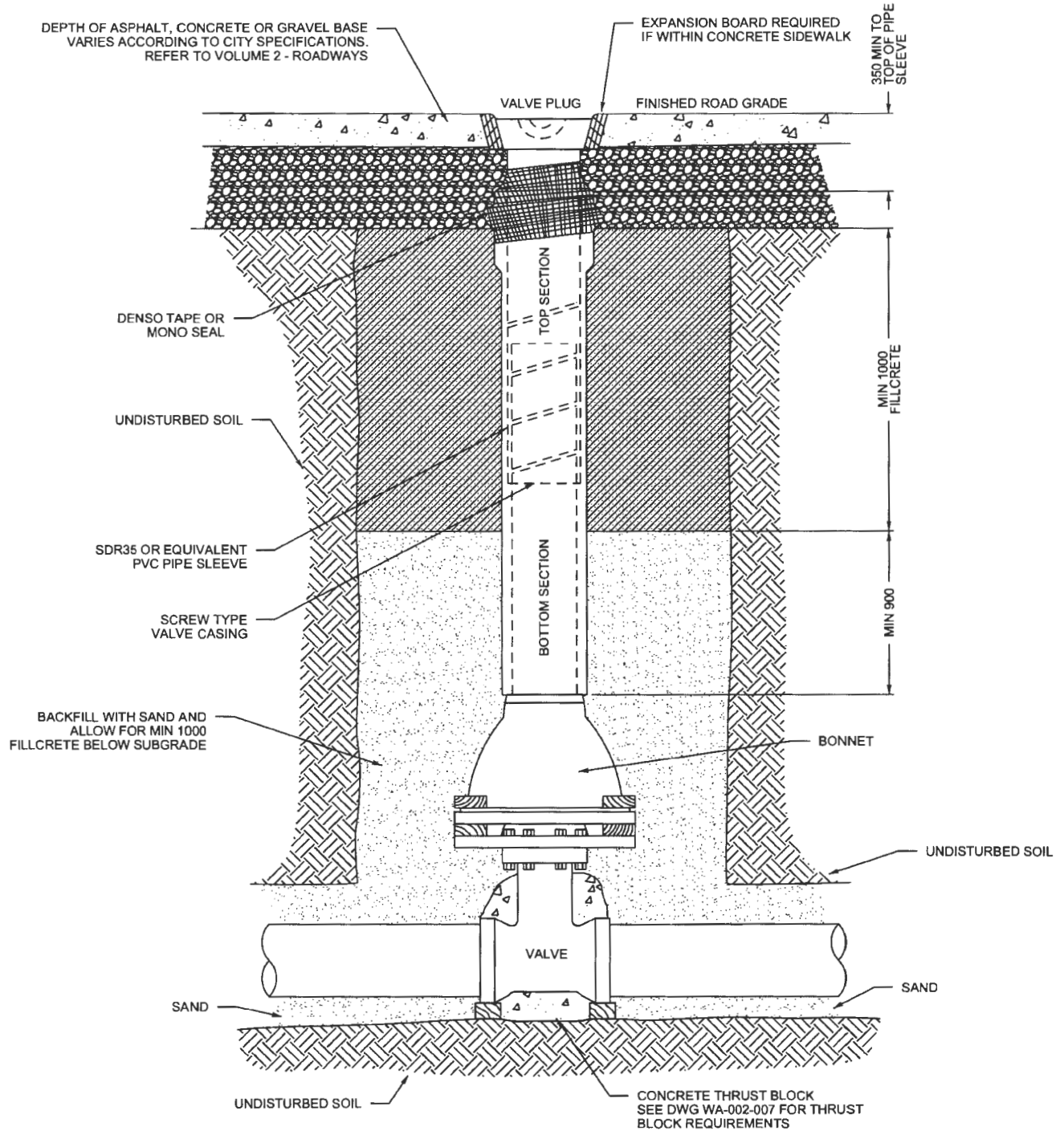
DRAWING NUMBER  
**WA-003-007**

SCALE  
NTS

CHECKED BY  
D MATHEW

DIRECTOR, WATER DISTRIBUTION AND TRANSMISSION

OLD DRAWING NUMBER  
**2512-07**



- NOTES:
1. ALL DIMENSIONS ARE IN MILLIMETRES UNLESS OTHERWISE SPECIFIED.
  2. SAND BACKFILL TO BE COMPACTED TO 95% STANDARD PROCTOR DENSITY.
  3. FILLCRETE MUST BE A MINIMUM OF 900mm ABOVE BONNET.

## VALVE CASING DETAIL FOR FILLCRETE BACKFILL

**EPCOR**

APPROVED  
APRIL 2021

DRAWN BY  
C WRIGHT

APPROVED

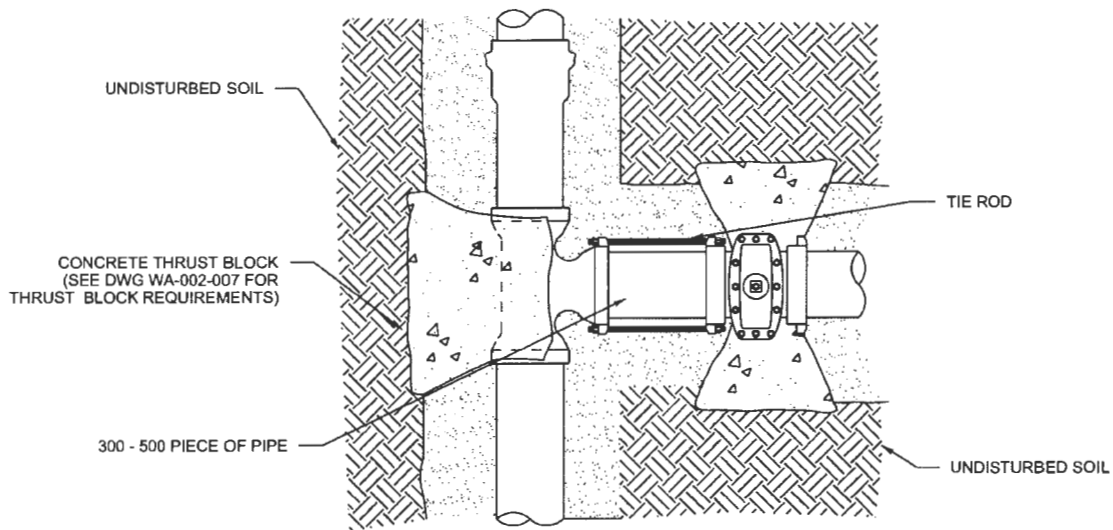
*[Signature]*  
DIRECTOR, WATER DISTRIBUTION AND TRANSMISSION

DRAWING NUMBER  
**WA-003-008**

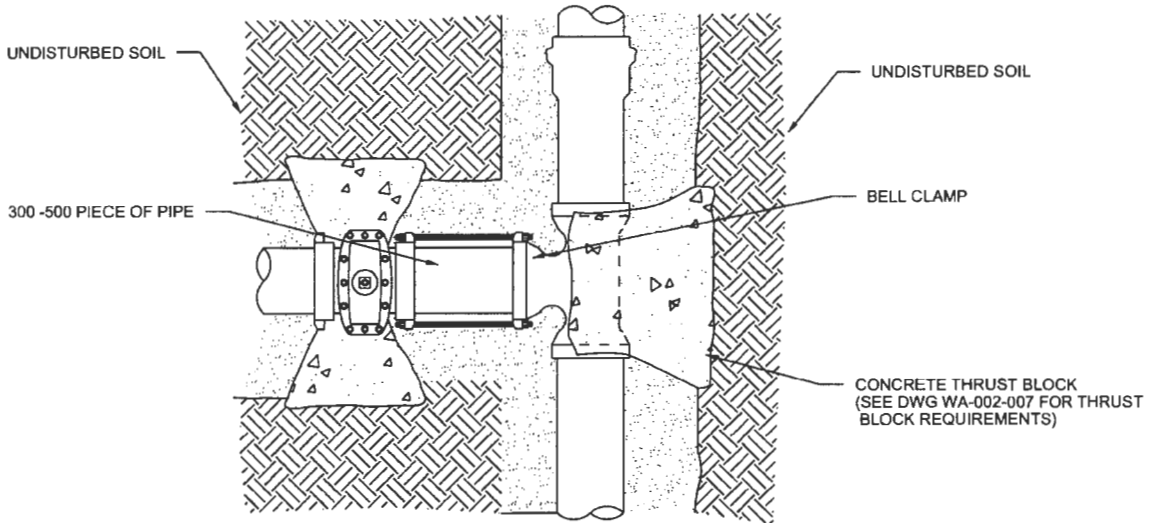
OLD DRAWING NUMBER  
**2512-08**

SCALE  
NTS

CHECKED BY  
D MATHEW

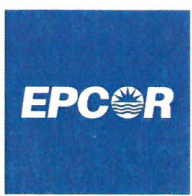


VALVE STRAPPED TO TEE WITH LUGS (PLAN VIEW)



VALVE STRAPPED TO TEE WITH CLAMP (PLAN VIEW)

- NOTES:
1. ALL DIMENSIONS ARE IN MILLIMETRES UNLESS OTHERWISE SPECIFIED.
  2. TIE RODS, WASHERS, BOLTS, TO BE STAINLESS STEEL TREATED FOR GALLING AND TIGHTENED WITH A TORQUE WRENCH.
  3. BELL CLAMPS TO BE DUCTILE IRON.
  4. CORROSION PROTECTION BY MEANS APPROVED BY THE ENGINEER.



## VALVE STRAPPED TO TEE DETAILS

APPROVED  
APRIL 2021

DRAWN BY  
C WRIGHT

APPROVED

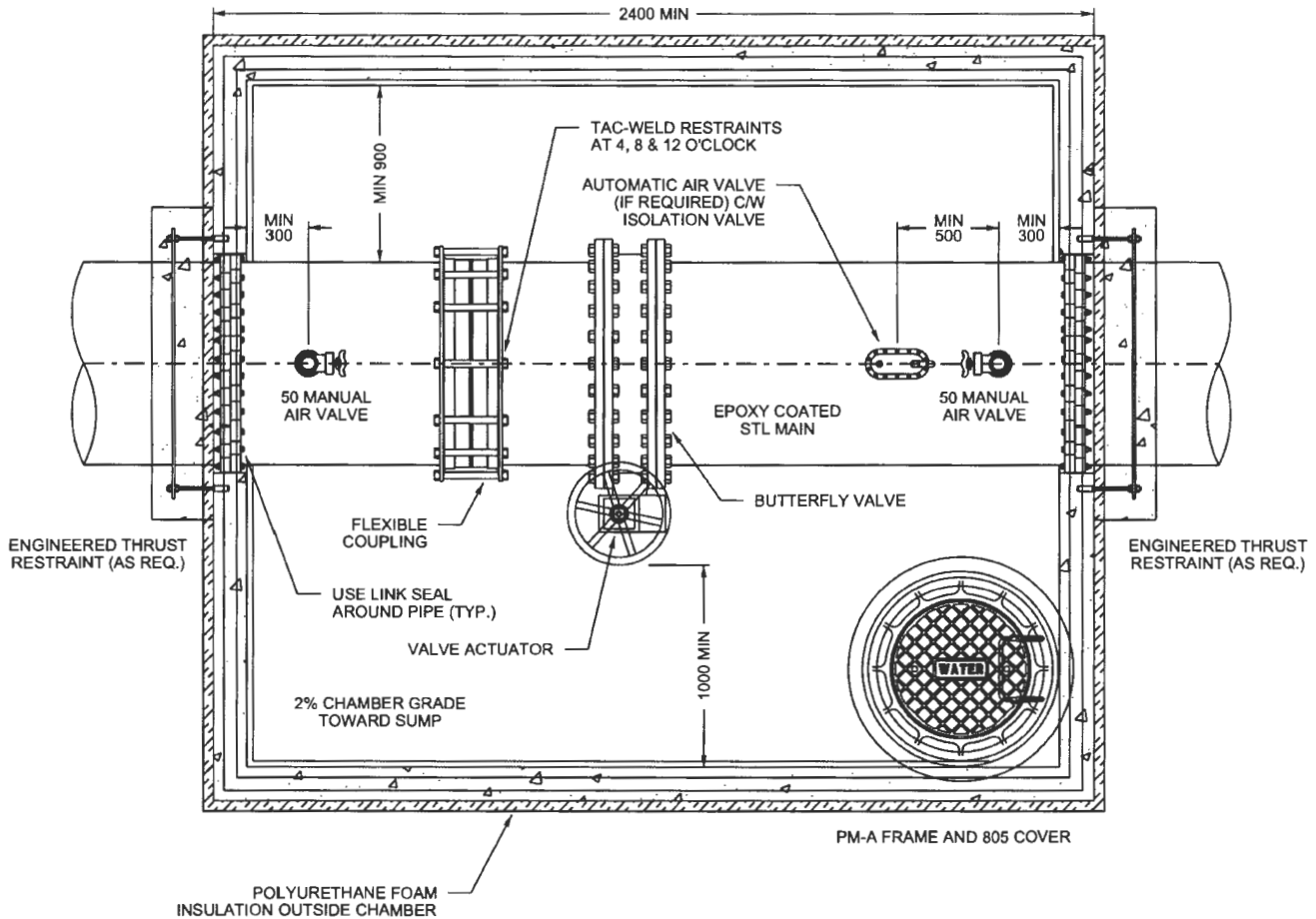
*[Signature]*  
DIRECTOR, WATER DISTRIBUTION AND TRANSMISSION

DRAWING NUMBER  
WA-003-009

OLD DRAWING NUMBER  
2512-09

SCALE  
NTS

CHECKED BY  
D MATHEW



PLAN

NOTES:

1. ALL DIMENSIONS ARE IN MILLIMETRES UNLESS OTHERWISE SPECIFIED.
2. PROVIDE 100mm THICK POLYURETHANE FOAM INSULATION AROUND EXTERIOR OF CHAMBER WALLS, ROOF AND MANHOLE RISER FOR CHAMBERS UTILIZING AUTOMATIC AIR VALVES. PROVIDE FROST COVER FOR MANHOLE FRAME. COVER ALL INSULATION WITH APPROVED WATERPROOFING COMPOUND.
3. ALSO SEE DWG WA-003-011.
4. FOR STEEL AND CONCRETE CYLINDER WATER MAINS, PROVIDE AN ELECTRICAL CONTINUITY BOND ACROSS THE VALVE AND COUPLING WHEN DIRECTED BY THE ENGINEER.
5. MANUAL AIR VALVE: BRONZE OR STAINLESS STEEL GATE VALVE, kPa WORKING PRESSURE.
6. WATERPROOF MANHOLES WITH RUBBER GASKETS OR BUTYL SEALANT AND VENT PLUGS. MANHOLE JOINTS SHALL MEET THE REQUIREMENTS OF CAN/CSA - A257.3.

VALVE CHAMBER DETAIL (PLAN)



APPROVED  
APRIL 2021

DRAWN BY  
C WRIGHT

APPROVED

DRAWING NUMBER  
**WA-003-010**

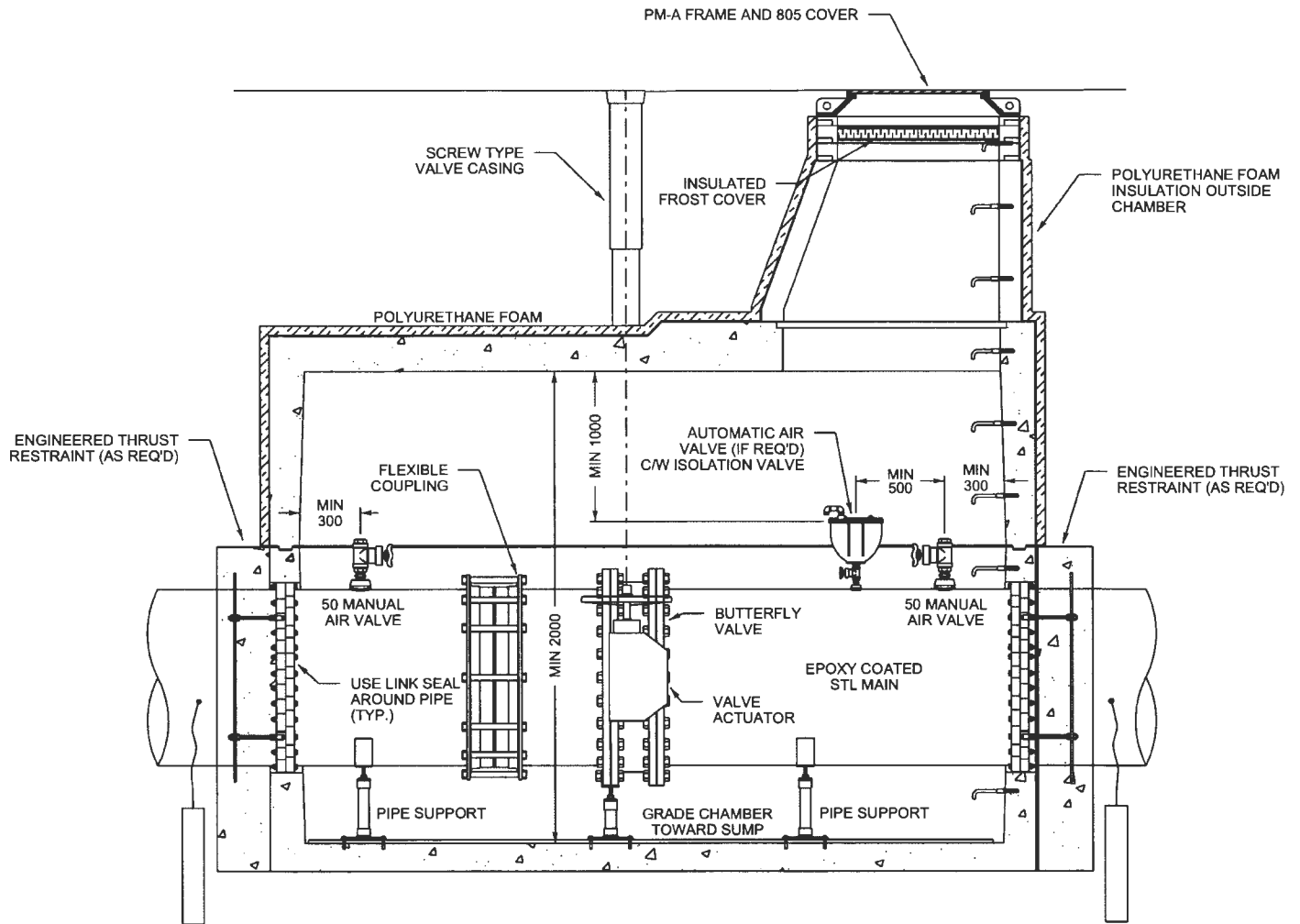
SCALE  
NTS

CHECKED BY  
D MATHEW

DIRECTOR, WATER DISTRIBUTION AND TRANSMISSION

OLD DRAWING NUMBER  
**2512-10**



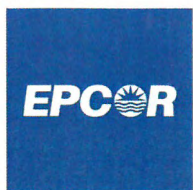


PROFILE

NOTES:

1. ALL DIMENSIONS ARE IN MILLIMETRES UNLESS OTHERWISE SPECIFIED.
2. PROVIDE 100mm THICK POLYURETHANE FOAM INSULATION AROUND EXTERIOR OF CHAMBER WALLS, ROOF AND MANHOLE COVER FOR MANHOLE FRAME. COVER ALL INSULATION WITH APPROVED WATERPROOFING COMPOUND.
3. ALSO SEE DRAWING WA-003-010.
4. FOR STEEL AND CONCRETE CYLINDER WATER MAINS, PROVIDE AN ELECTRICAL CONTINUITY BOND ACROSS THE VALVE AND COUPLING WHEN DIRECTED BY THE ENGINEER.
5. MANUAL AIR VALVE: BRONZE OR STAINLESS STEEL GATE VALVE, 1034 kPa WORKING PRESSURE.
6. WATERPROOF MANHOLES WITH RUBBER GASKETS OR BUTYL SEALANT AND VENT PLUGS. MANHOLE JOINTS SHALL MEET THE REQUIREMENTS OF CAN/CSA - A257.3.

## VALVE CHAMBER DETAIL (PROFILE)

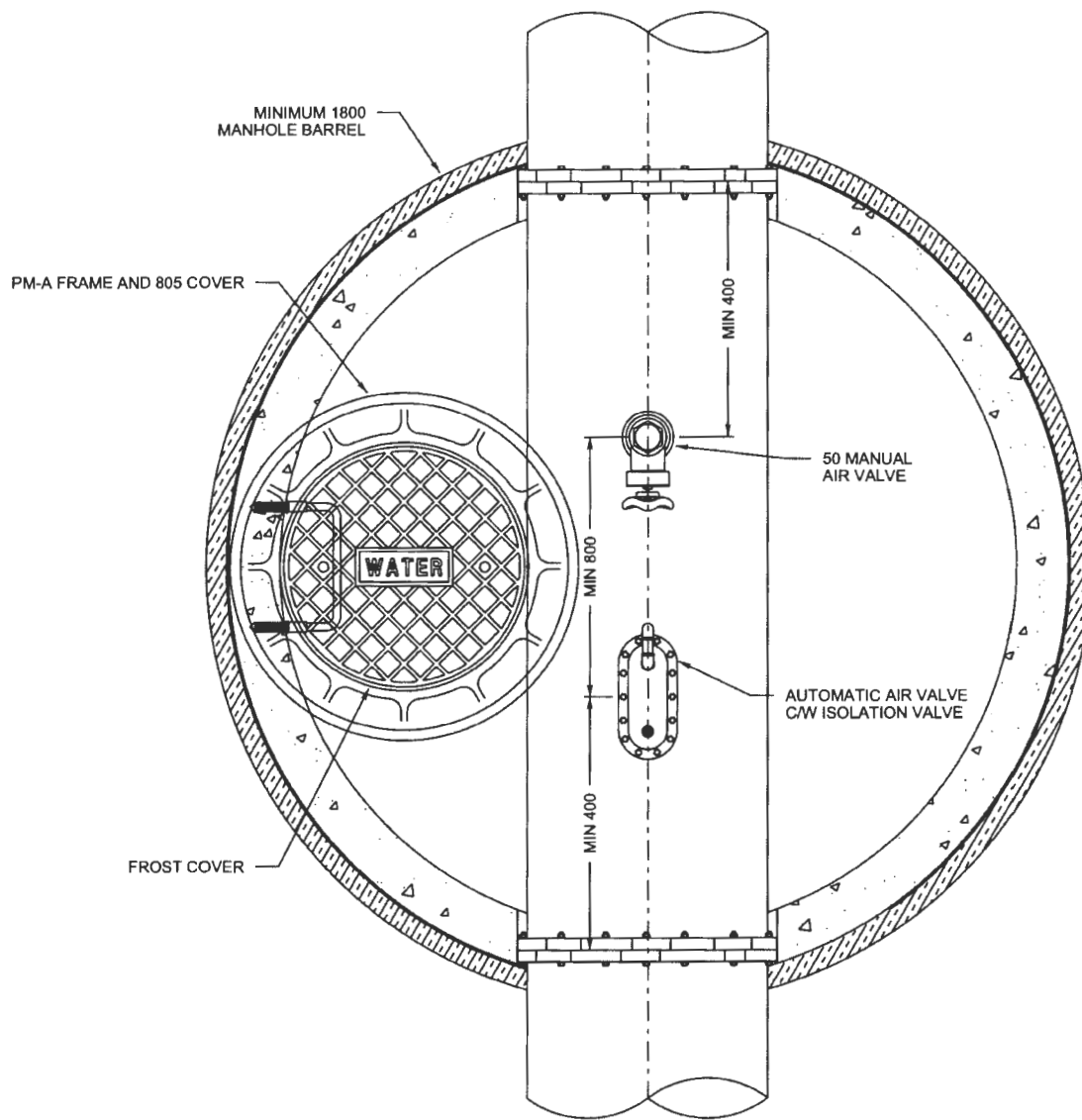


APPROVED  
APRIL 2021  
SCALE  
NTS

DRAWN BY  
C WRIGHT  
CHECKED BY  
D MATHEW

APPROVED  
*[Signature]*  
DIRECTOR, WATER DISTRIBUTION AND TRANSMISSION

DRAWING NUMBER  
**WA-003-011**  
OLD DRAWING NUMBER  
**2512-11**



PLAN

NOTES:

1. ALL DIMENSIONS ARE IN MILLIMETRES UNLESS OTHERWISE SPECIFIED.
2. INSULATE EXTERIOR OF MANHOLE AND RISER WITH 100mm THICK POLYURETHANE FOAM INSULATION. TREAT WITH APPROVED WATERPROOFING COMPOUND.
3. ALSO SEE DRAWING WA-003-013.
4. FOR STEEL AND CONCRETE CYLINDER WATER MAINS, PROVIDE ELECTRICAL ACCESS WIRES WHEN DIRECTED BY THE ENGINEER.
5. MANUAL AIR VALVE: BRONZE OR STAINLESS STEEL GATE VALVE, 1034 kPa WORKING PRESSURE.
6. WATERPROOF MANHOLES WITH RUBBER GASKETS OR BUTYL SEALANT AND VENT PLUGS. MANHOLE JOINTS SHALL MEET THE REQUIREMENTS OF CAN/CSA - A257.3.

## AUTOMATIC AIR VALVE CHAMBER DETAIL (PLAN) (750mm MAINS AND SMALLER)



APPROVED  
APRIL 2021

DRAWN BY  
C WRIGHT

APPROVED

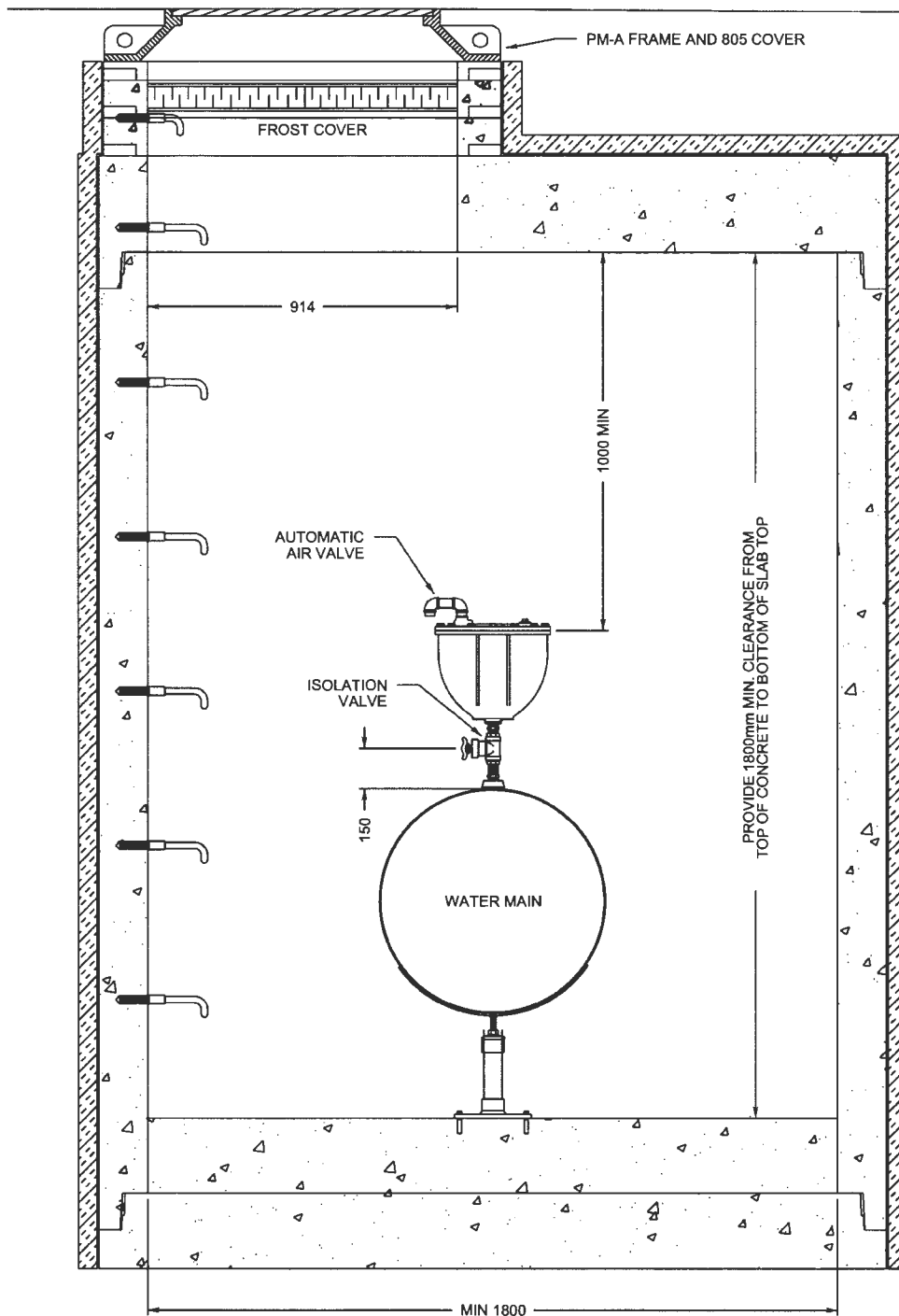
DRAWING NUMBER  
**WA-003-012**

SCALE  
NTS

CHECKED BY  
D MATHEW

-----  
DIRECTOR, WATER DISTRIBUTION AND TRANSMISSION

OLD DRAWING NUMBER  
**2512-12**



PROFILE

- NOTES:
1. ALL DIMENSIONS ARE IN MILLIMETRES UNLESS OTHERWISE SPECIFIED.
  2. INSULATE EXTERIOR OF MANHOLE AND RISER WITH 100mm THICK POLYURETHANE FOAM INSULATION.
  3. ALSO SEE DWG WA-003-012.
  4. FOR STEEL AND CONCRETE CYLINDER WATER MAINS, PROVIDE ELECTRICAL ACCESS WIRES WHEN DIRECTED BY THE ENGINEER.
  5. WATERPROOF MANHOLES WITH RUBBER GASKETS OR BUTYL SEALANT AND VENT PLUGS. MANHOLE JOINTS SHALL MEET THE REQUIREMENTS OF CAN/CSA - A257.3.

## AUTOMATIC AIR VALVE CHAMBER DETAIL (PROFILE) (750mm MAINS AND SMALLER)



APPROVED  
APRIL 2021

DRAWN BY  
C WRIGHT

APPROVED

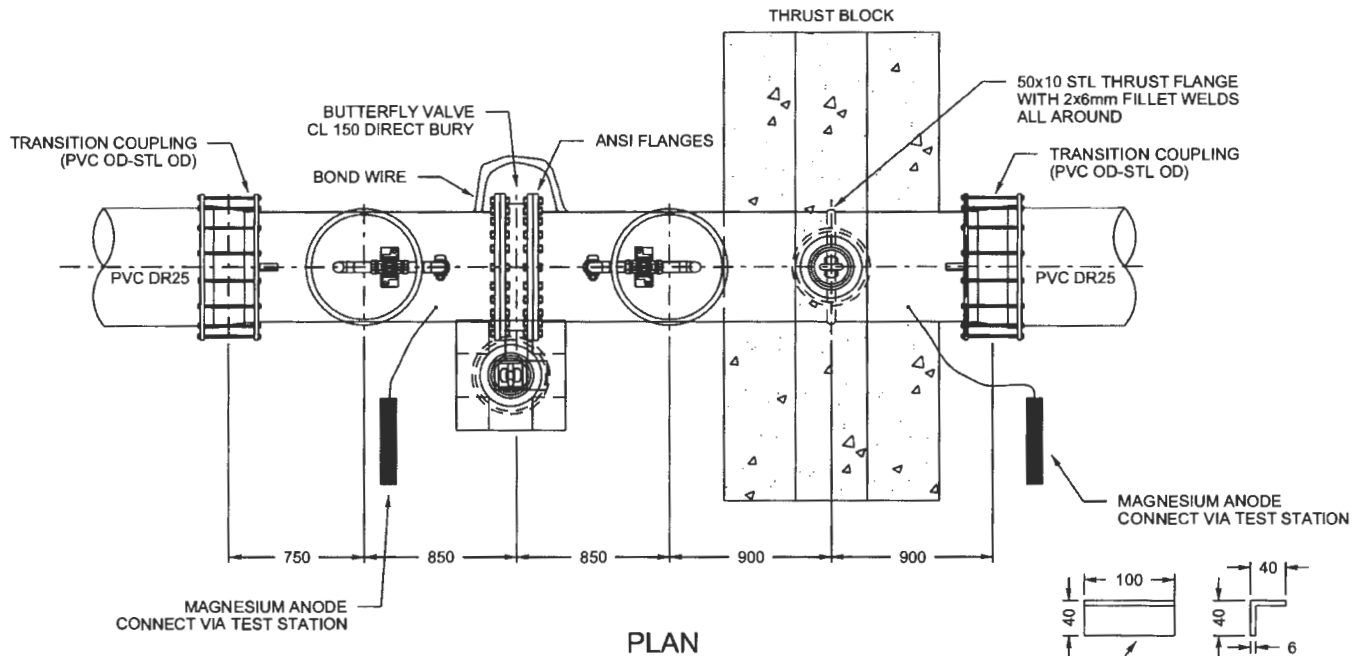
*[Signature]*  
DIRECTOR, WATER DISTRIBUTION AND TRANSMISSION

DRAWING NUMBER  
**WA-003-013**

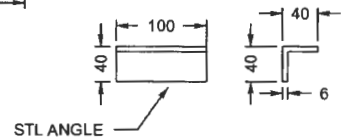
OLD DRAWING NUMBER  
**2512-13**

SCALE  
NTS

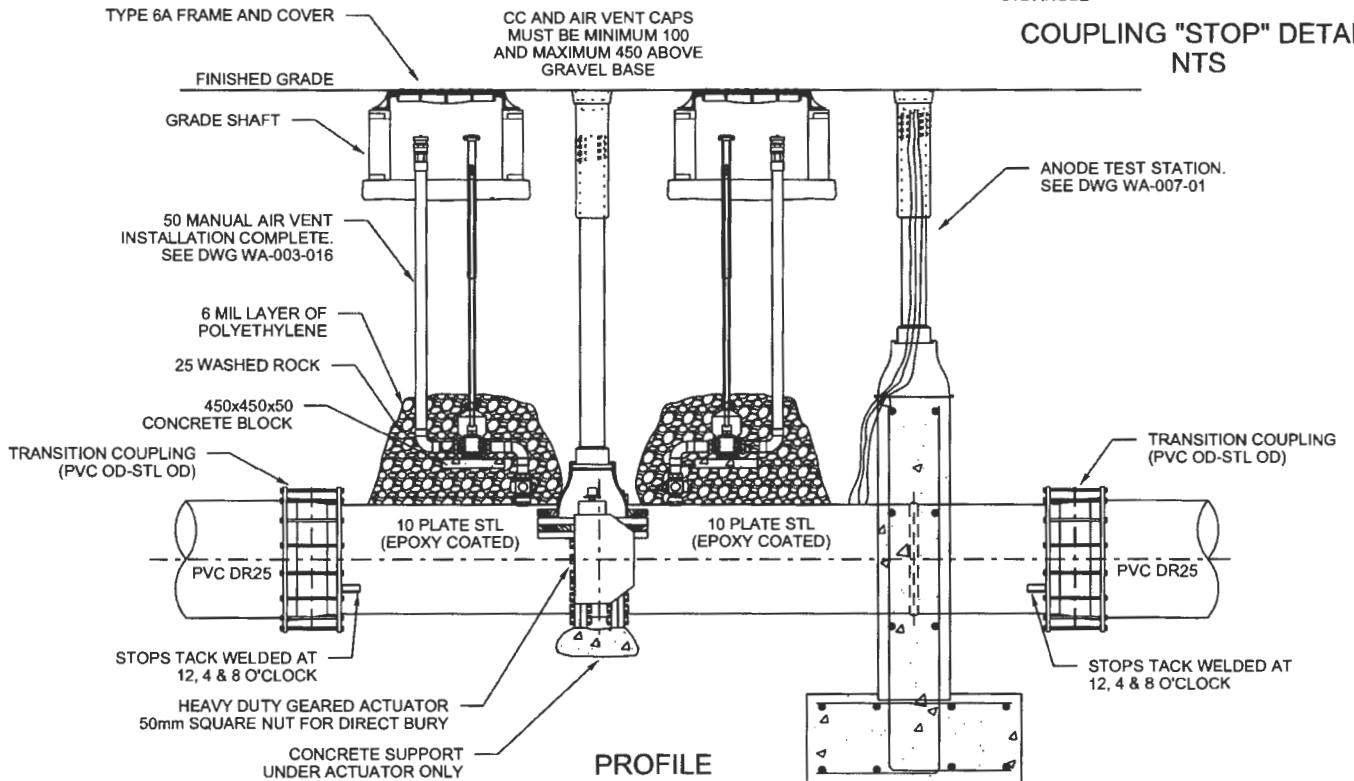
CHECKED BY  
D MATHEW



PLAN



COUPLING "STOP" DETAIL NTS



PROFILE

THRUST BLOCK DIMENSIONS AND REBAR DETAIL TO BE DETERMINED AS PART OF ENGINEERING DESIGN

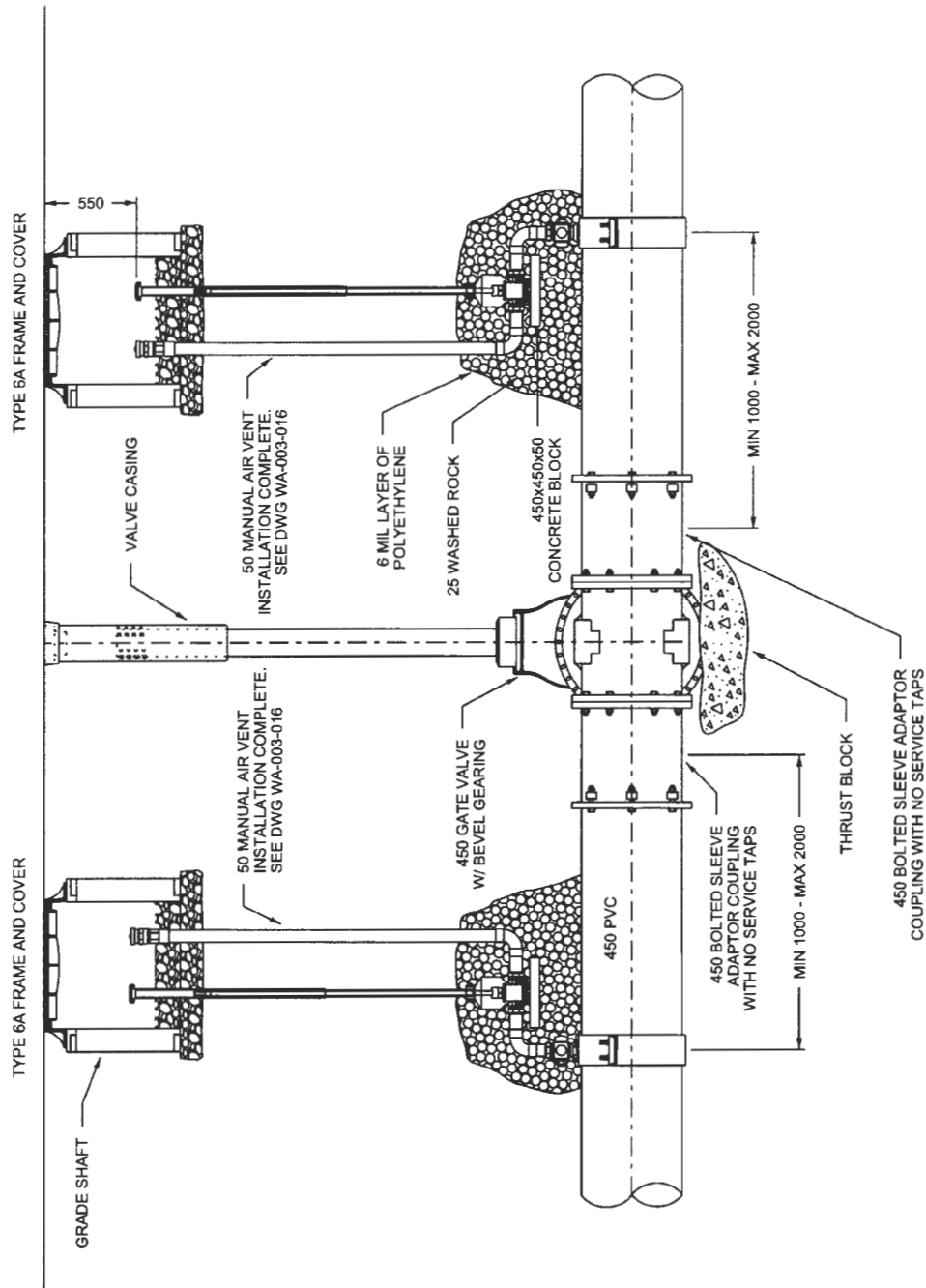
NOTES:

1. ALL DIMENSIONS ARE IN MILLIMETRES UNLESS OTHERWISE SPECIFIED.
2. AIR VENTS MAY ALSO BE LOCATED IN THE BOULEVARD. SEE DWG WA-003-017 & WA-003-018.
3. LOCATION OF AIR VENTS MUST BE SHOWN ON THE ENGINEERING DRAWINGS AND AS-BUILTS.
4. ACTUATOR NUT MUST BE LOCATED ON THE SIDE OPPOSITE THE FACE OF THE CURB.
5. COMPACT GRAVEL BASE TO A MINIMUM OF 100% OF THE MAXIMUM DENSITY IN THE ROADWAY, AND 95% IN THE BOULEVARD.
6. STEEL TO BE IN ACCORDANCE WITH THE MOST RECENT PUBLICATION OF AWWA C200.
7. STEEL TO BE EITHER FUSION BONDED EPOXY COATED OR LIQUID EPOXY COATED IN ACCORDANCE WITH THE MOST RECENT PUBLICATION OF AWWA C213 OR AWWA C210.
8. STEEL TO BE EITHER FUSION BOND EPOXY OR LIQUID EPOXY LINED IN ACCORDANCE WITH THE MOST RECENT PUBLICATION OF AWWA C213 OR AWWA C210.



## 450mm TO 750mm DIRECT BURY BUTTERFLY VALVE WITH AIR VENTS

APPROVED APRIL 2021	DRAWN BY C WRIGHT	APPROVED	DRAWING NUMBER <b>WA-003-014</b>
SCALE NTS	CHECKED BY D MATHEW	 DIRECTOR, WATER DISTRIBUTION AND TRANSMISSION	
			OLD DRAWING NUMBER <b>2512-14</b>



**NOTE:**

1. ALL DIMENSIONS ARE IN MILLIMETRES UNLESS OTHERWISE SPECIFIED.
2. STEEL TO BE IN ACCORDANCE WITH MOST RECENT PUBLICATION OF AWWA C200. STEEL TO BE EITHER FUSION BOND EPOXY COATED OR LIQUID EPOXY COATED IN ACCORDANCE WITH THE MOST RECENT PUBLICATION OF AWWA C213 OR AWWA C210 WITH AN EPCOR APPROVED PRODUCT. STEEL TO BE EITHER FUSION BONDED EPOXY OR LIQUID EPOXY LINED IN ACCORDANCE WITH THE MOST RECENT PUBLICATION OF AWWA C213 OR AWWA C210 WITH AN EPCOR APPROVED PRODUCT.
3. PROVIDE 8mmx12mm THREADED WELDED STUD AND ANODE CONNECTION FOR ALL NON EPOXY COATED FERROUS FITTINGS.
4. AIR VENTS MAY ALSO BE LOCATED IN THE BOULEVARD. SEE DWG WA-003-017 AND WA-003-018.
5. LOCATION OF AIR VENTS MUST BE SHOWN ON THE ENGINEERING DRAWINGS AND AS-BUILTS.
6. COMPACT GRAVEL BASE TO A MINIMUM OF 100% OF THE MAXIMUM DENSITY IN THE ROADWAY AND 95% IN THE BOULEVARD.

## 450 GATE VALVE WITH BEVEL GEARING & 50 MANUAL AIR VENTS



APPROVED  
APRIL 2021

DRAWN BY  
C WRIGHT

APPROVED

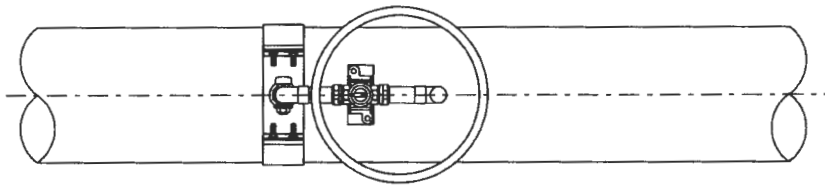
*[Signature]*  
DIRECTOR, WATER DISTRIBUTION AND TRANSMISSION

DRAWING NUMBER  
**WA-003-015**

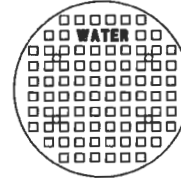
SCALE  
NTS

CHECKED BY  
D MATHEW

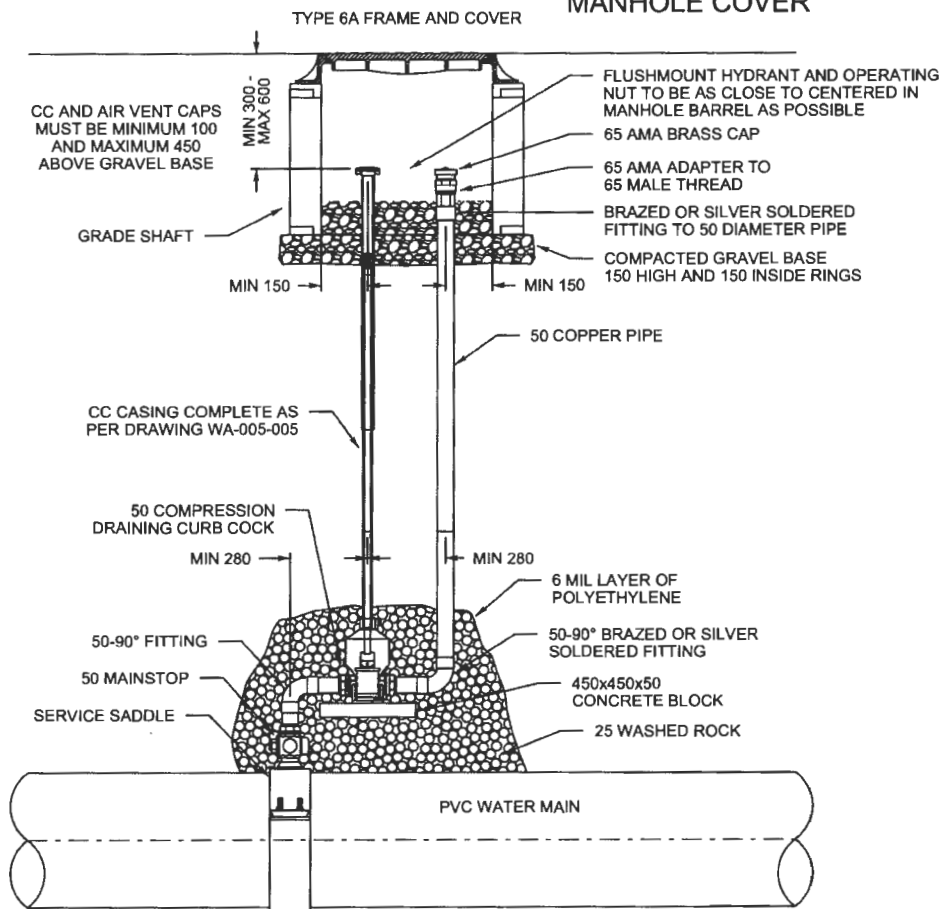
OLD DRAWING NUMBER  
**2512-15**



PLAN



MANHOLE COVER



PROFILE

- NOTES:
1. ALL DIMENSIONS ARE IN MILLIMETRES UNLESS OTHERWISE SPECIFIED.
  2. COMPACT GRAVEL BASE TO A MINIMUM OF 100% OF THE MAXIMUM DENSITY IN THE ROADWAY, AND 95% IN THE BOULEVARD.
  3. BRAZED OR SILVER SOLDERED FITTINGS MAY BE REPLACED WITH EPCOR APPROVED ALTERNATIVE.
  4. MAV TO BE LOCATED ON BOULEVARD UNLESS OTHERWISE APPROVED BY THE ENGINEER.
  5. IF COVER ON COPPER PIPE IS 2.5m OR LESS, INSTALL INSULATION AS PER WA-002-01.

## TYPICAL 50mm MANUAL AIR VENT IN ROADWAY

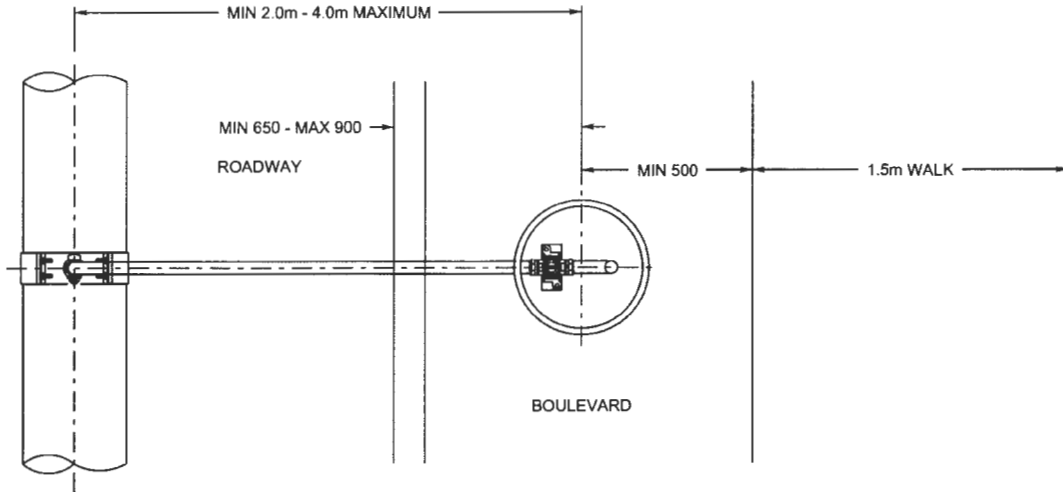


APPROVED  
APRIL 2021  
SCALE  
NTS

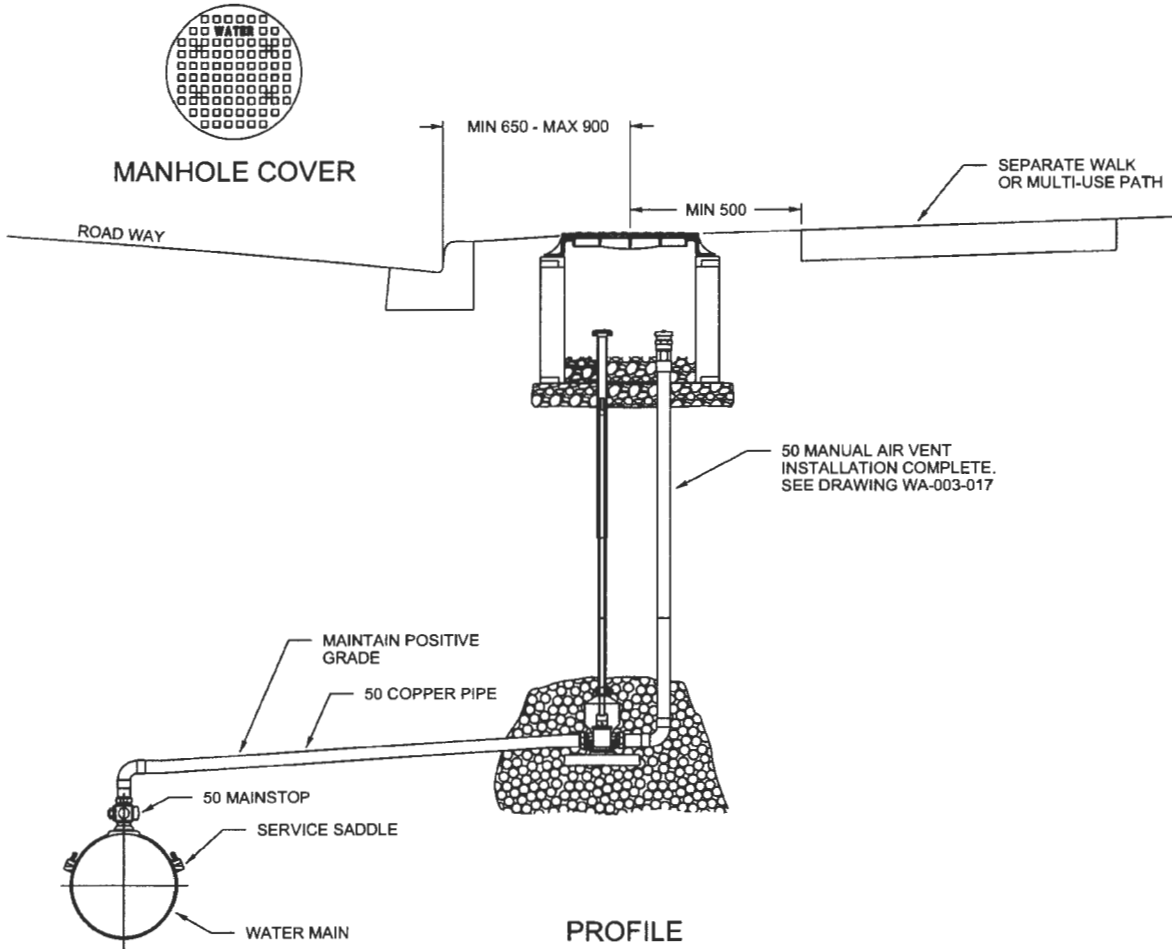
DRAWN BY  
C WRIGHT  
CHECKED BY  
D MATHEW

APPROVED  
  
DIRECTOR, WATER DISTRIBUTION AND TRANSMISSION

DRAWING NUMBER  
**WA-003-016**  
OLD DRAWING NUMBER  
**2512-16**



PLAN



PROFILE

NOTES:

1. ALL DIMENSIONS ARE IN MILLIMETRES UNLESS OTHERWISE SPECIFIED.
2. COMPACT GRAVEL BASE TO A MINIMUM OF 100% OF THE MAXIMUM DENSITY IN THE ROADWAY, AND 95% IN THE BOULEVARD.
3. FRAME AND COVER CANNOT FALL WITHIN WALK.
4. IF COVER ON COPPER PIPE IS 2.0m OR LESS, INSTALL INSULATION AS PER DWG WA-002-001.

## TYPICAL 50mm MANUAL AIR VENT IN BOULEVARD WITH 1.5m SEPARATE WALK



APPROVED  
APRIL 2021

DRAWN BY  
C WRIGHT

APPROVED

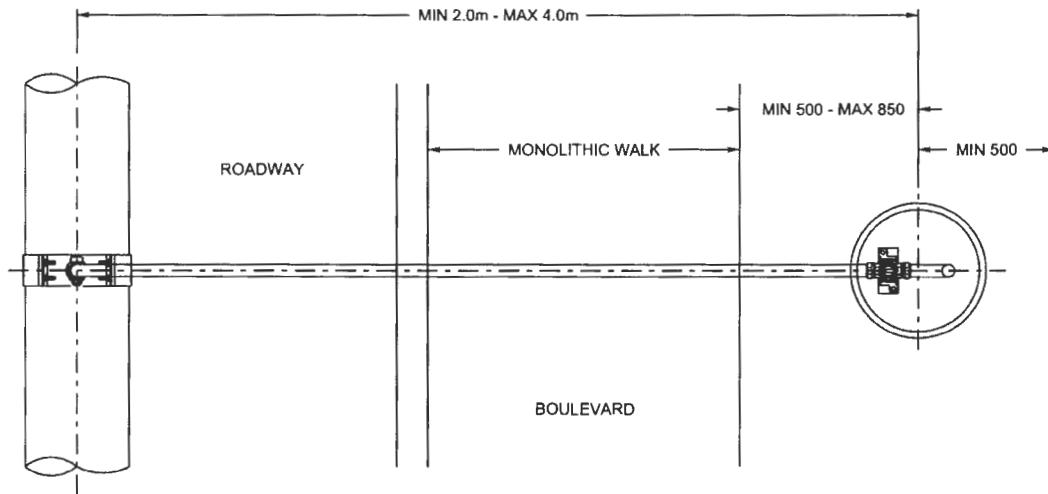
DRAWING NUMBER  
WA-003-017

SCALE  
NTS

CHECKED BY  
D MATHEW

DIRECTOR WATER DISTRIBUTION AND TRANSMISSION

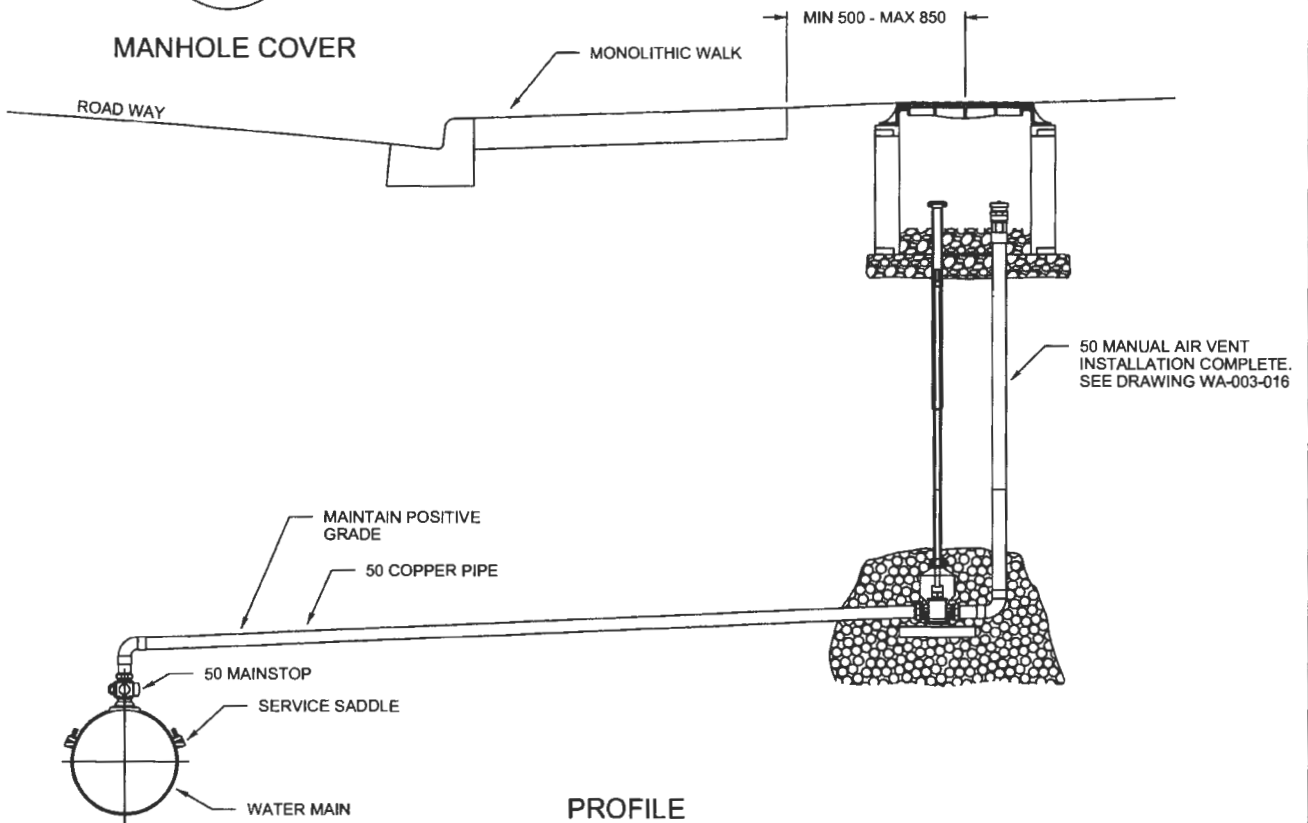
OLD DRAWING NUMBER  
2512-17



PLAN



MANHOLE COVER



PROFILE

- NOTES:
1. ALL DIMENSIONS ARE IN MILLIMETRES UNLESS OTHERWISE SPECIFIED.
  2. COMPACT GRAVEL BASE TO A MINIMUM OF 100% OF THE MAXIMUM DENSITY IN THE ROADWAY, AND 95% IN THE BOULEVARD.
  3. FRAME AND COVER CANNOT FALL WITHIN WALK.
  4. IF COVER ON COPPER PIPE IS 2.0m OR LESS, INSTALL INSULATION AS PER DWG WA-002-001.

## TYPICAL 50mm MANUAL AIR VENT IN BOULEVARD WITH 1.5m MONOLITHIC WALK



APPROVED  
APRIL 2021

DRAWN BY  
C WRIGHT

APPROVED

*[Signature]*  
DIRECTOR, WATER DISTRIBUTION AND TRANSMISSION

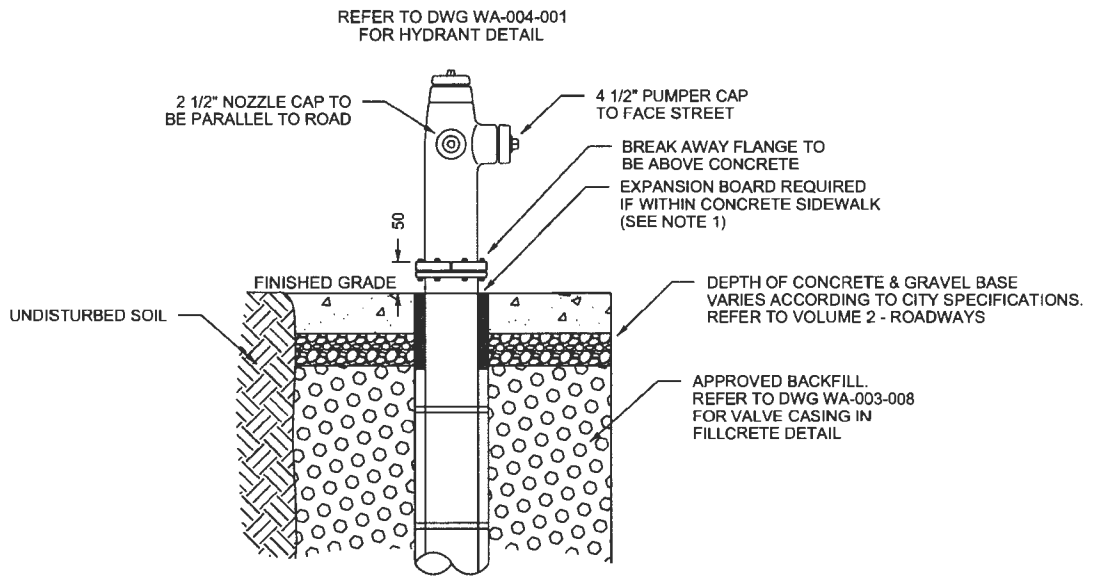
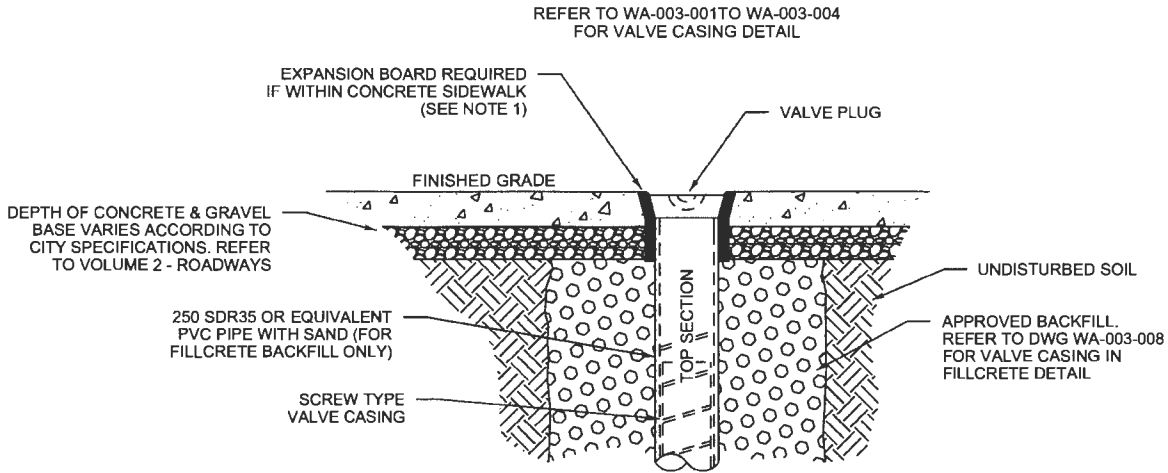
DRAWING NUMBER  
**WA-003-018**

OLD DRAWING NUMBER  
**2512-18**

SCALE  
NTS

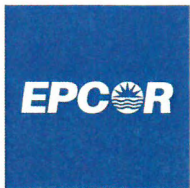
CHECKED BY  
D MATHEW





- NOTE:  
 1. ASPHALT IMPREGNATED FIBRE BOARD OR ISO-STRIP-OFF.  
 2. VALVES AND HYDRANTS SHOULD BE DESIGNED TO FALL OUTSIDE OF CONCRETE WALK WHERE POSSIBLE.

## VALVE & HYDRANT REQUIREMENTS IN CONCRETE WALK



APPROVED  
APRIL 2021

DRAWN BY  
C WRIGHT

APPROVED

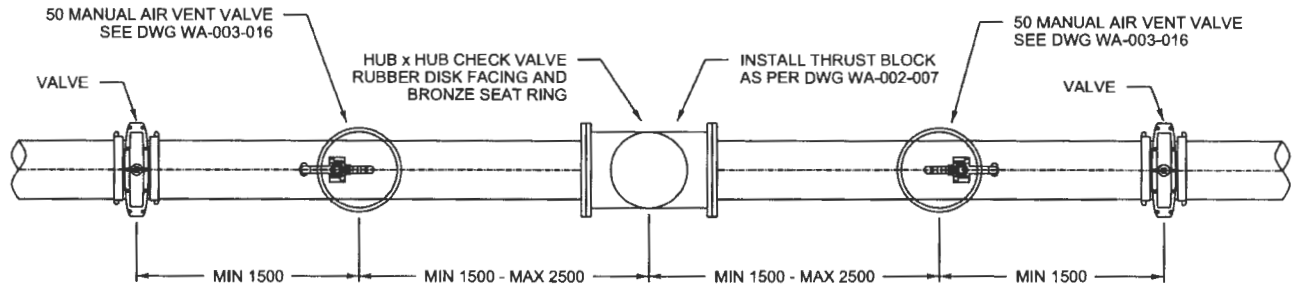
*[Signature]*  
 DIRECTOR, WATER DISTRIBUTION AND TRANSMISSION

DRAWING NUMBER  
WA-003-019

OLD DRAWING NUMBER  
2512-21

SCALE  
NTS

CHECKED BY  
D MATHEW

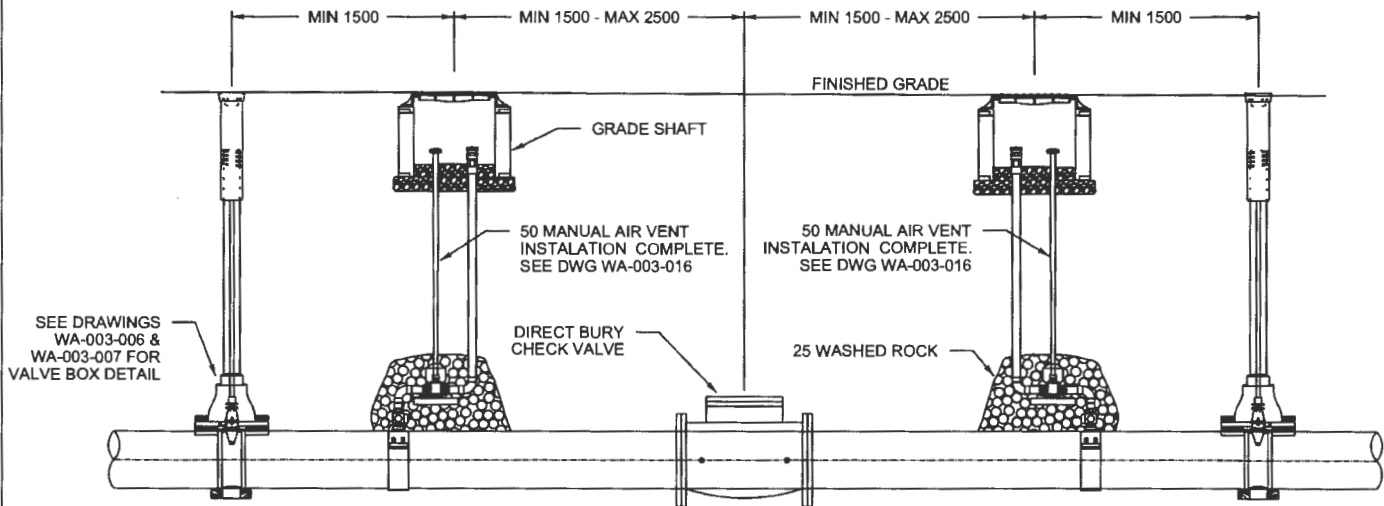


PLAN



MANHOLE COVER

CC AND AIR VENT CAPS  
MUST BE MINIMUM 100  
AND MAXIMUM 450 ABOVE  
GRAVEL BASE



PROFILE

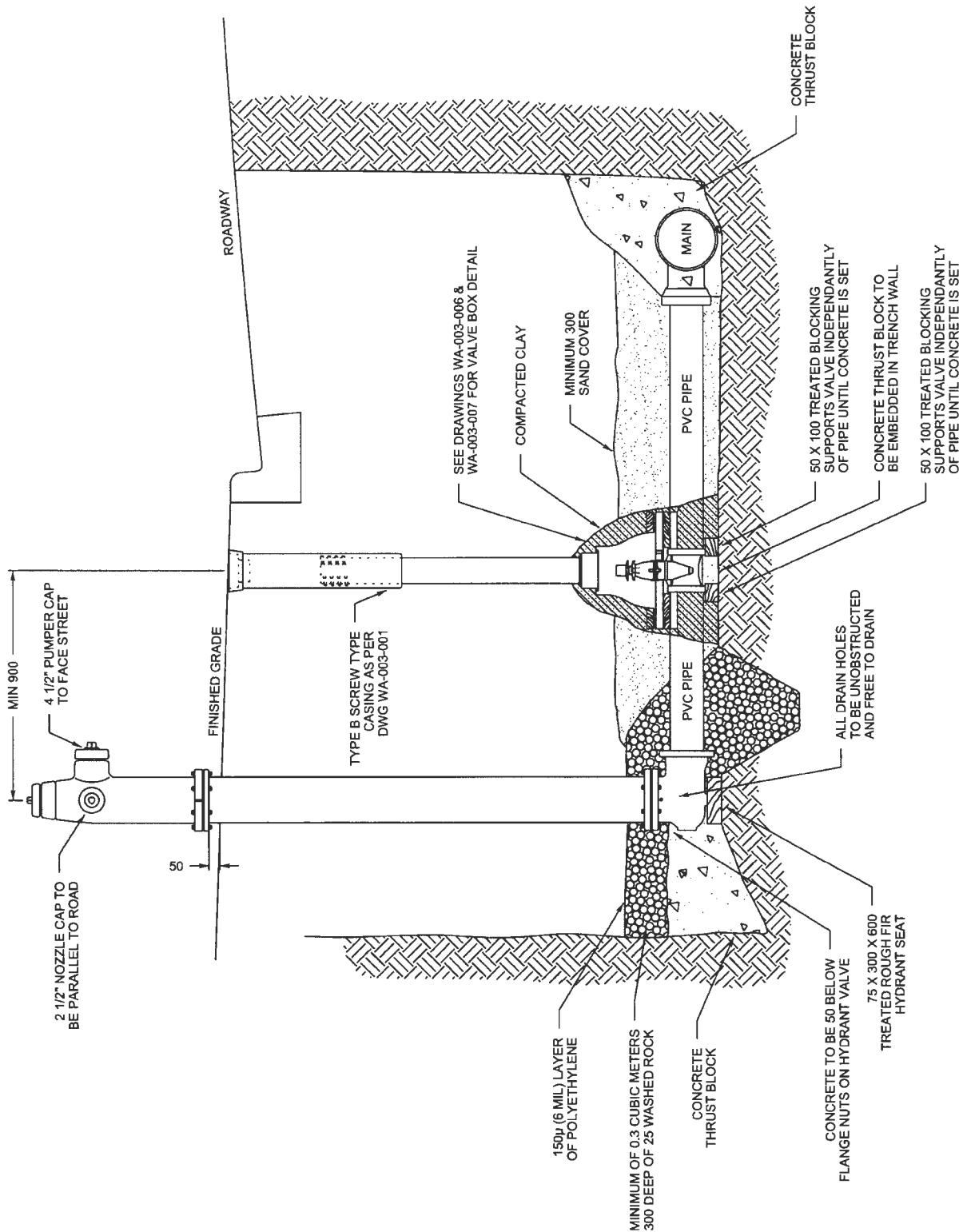
NOTES:

1. ALL DIMENSIONS ARE IN MILLIMETRES UNLESS OTHERWISE SPECIFIED.
2. LOCATION OF AIR VENTS MUST BE SHOWN ON THE ENGINEERING DRAWINGS AND AS-BUILTS.
3. COMPACT GRAVEL BASE TO A MINIMUM OF 100% OF THE MAXIMUM DENSITY IN THE ROADWAY AND 95% IN THE BOULEVARD.
4. SEE DRAWINGS WA-003-016 AND WA-003-017 FOR 50 MANUAL AIR VENT VALVE INSTALLATION.



## DIRECT BURY CHECK VALVE (300mm DIAMETER OR SMALLER)

APPROVED APRIL 2021	DRAWN BY C WRIGHT	APPROVED	DRAWING NUMBER <b>WA-003-020</b>
SCALE NTS	CHECKED BY D MATHEW	 DIRECTOR, WATER DISTRIBUTION AND TRANSMISSION	DRAWING NUMBER <b>2512-22</b>



- NOTES:
1. ALL DIMENSIONS ARE IN MILLIMETRES UNLESS OTHERWISE SPECIFIED.
  2. SEE DRAWING WA-007-003 FOR CATHODIC PROTECTION REQUIREMENTS.
  3. SEE DRAWING WA-002-007 FOR CONCRETE THRUST BLOCK REQUIREMENTS.

## FIRE HYDRANT PLACEMENT (TYPICAL)

**EPCOR**

APPROVED  
APRIL 2021

DRAWN BY  
C WRIGHT

APPROVED

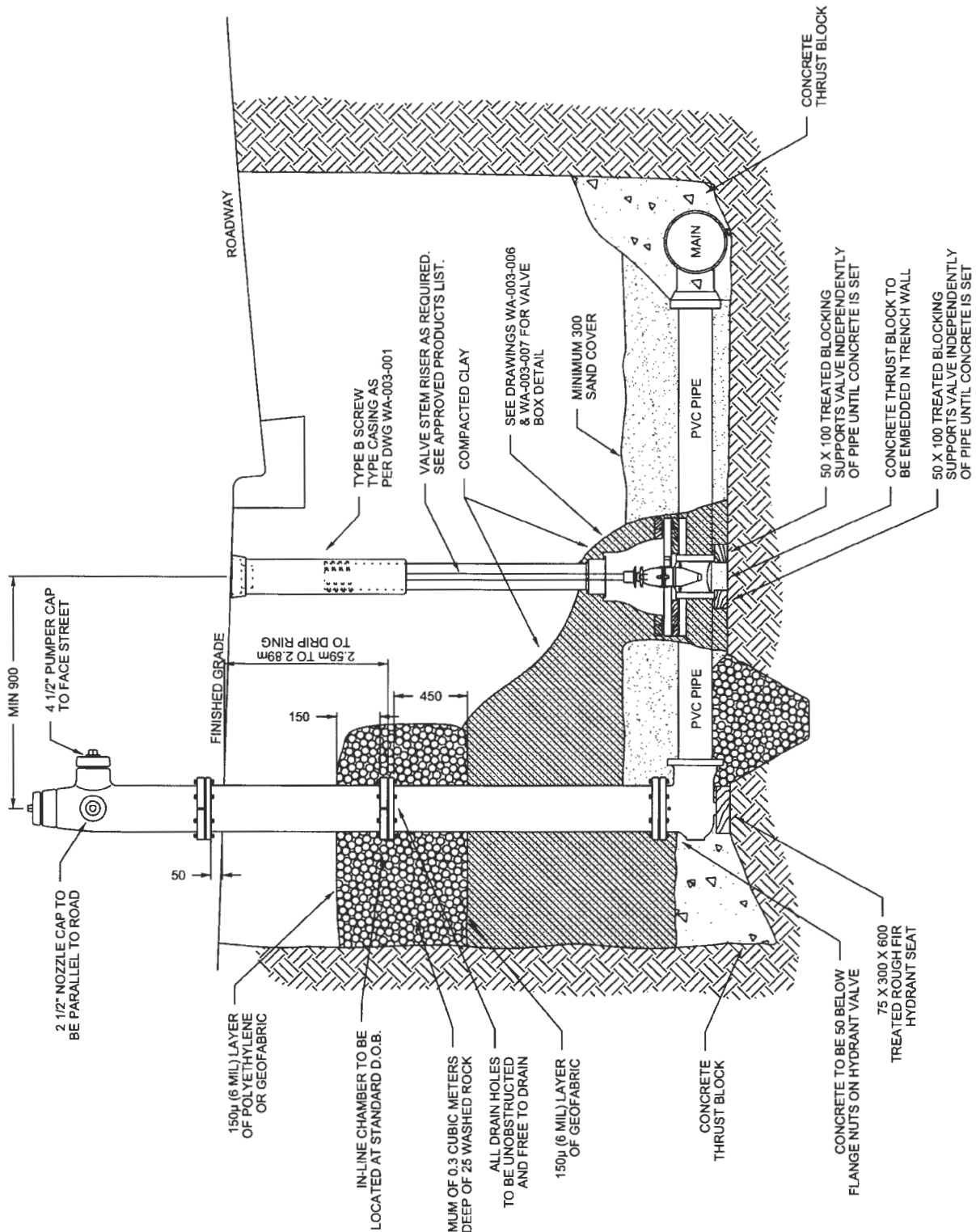
*[Signature]*  
DIRECTOR, WATER DISTRIBUTION AND TRANSMISSION

DRAWING NUMBER  
**WA-004-001**

OLD DRAWING NUMBER  
**2513-01**

SCALE  
NTS

CHECKED BY  
D MATHEW



**NOTES:**

1. ALL DIMENSIONS ARE IN MILLIMETRES UNLESS OTHERWISE SPECIFIED.
2. USE OF DEEP BURY HYDRANTS MUST BE PRE-APPROVED BY EPCOR WATER SERVICES INC.
3. SEE DRAWING WA-007-003 FOR CATHODIC PROTECTION REQUIREMENTS.
4. SEE DRAWING WA-002-007 FOR CONCRETE THRUST BLOCK REQUIREMENTS.

## DEEP BURY FIRE HYDRANT PLACEMENT (TYPICAL)

**EPCOR**

APPROVED  
APRIL 2021

DRAWN BY  
C WRIGHT

APPROVED

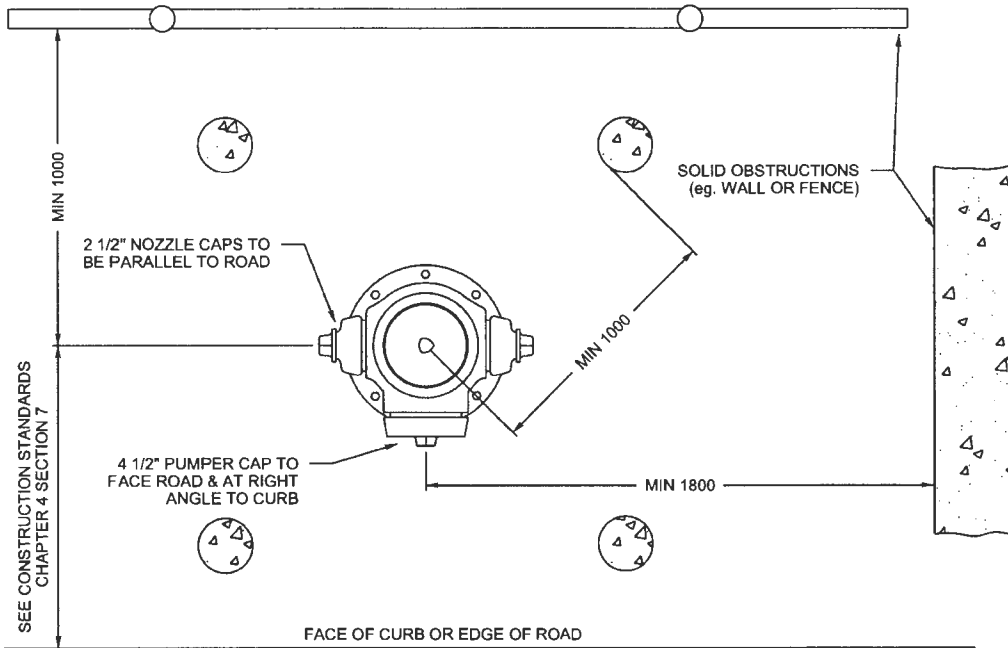
*[Signature]*  
DIRECTOR, WATER DISTRIBUTION AND TRANSMISSION

DRAWING NUMBER  
**WA-004-002**

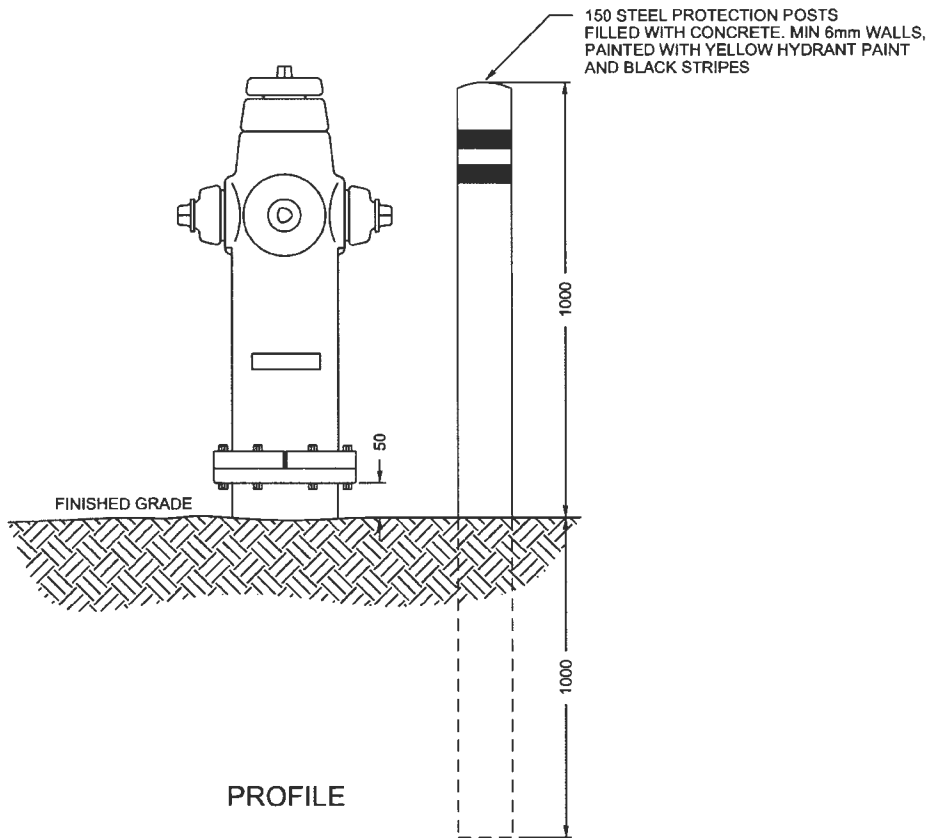
OLD DRAWING NUMBER  
**2513-03**

SCALE  
NTS

CHECKED BY  
D MATHEW

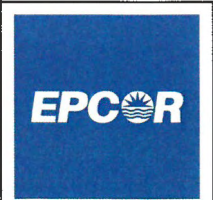


PLAN



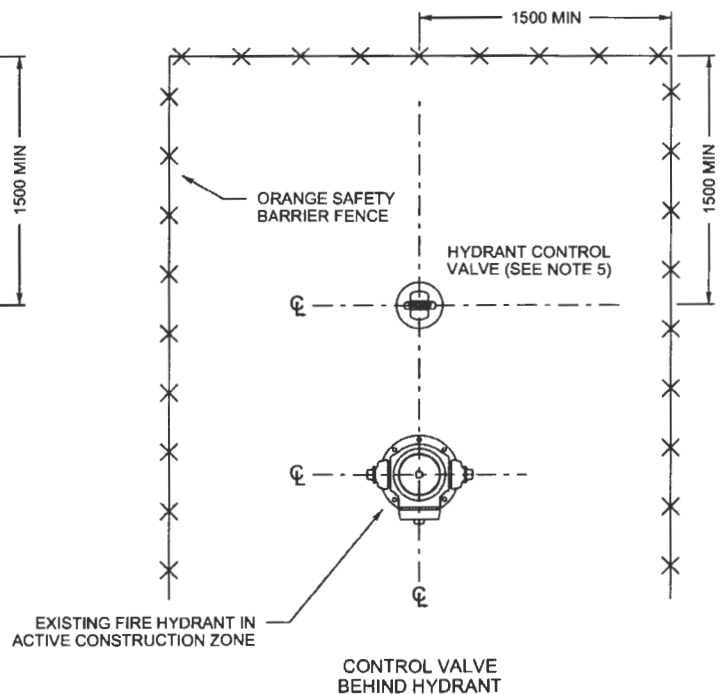
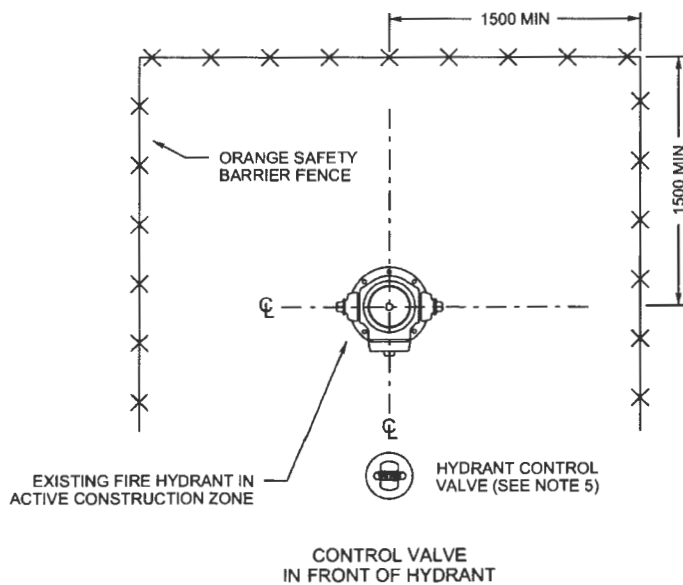
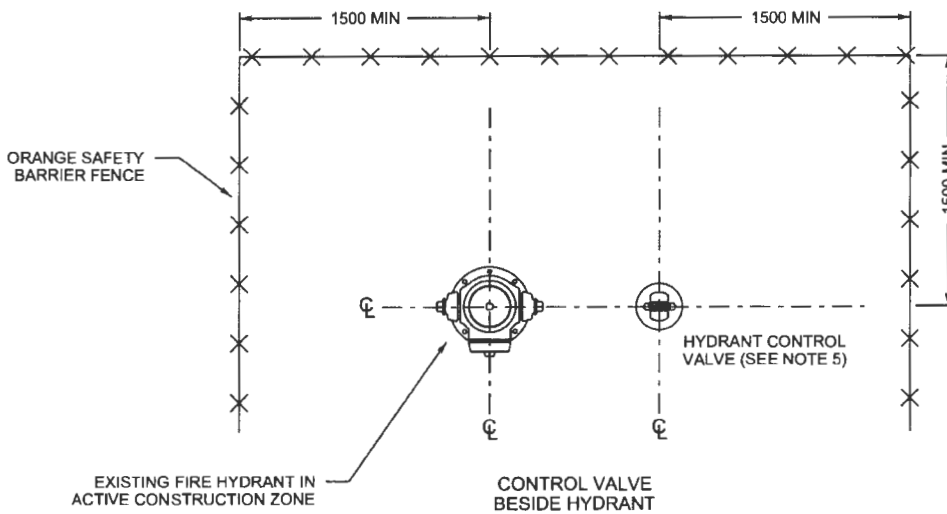
PROFILE

- NOTES:  
 1. ALL DIMENSIONS ARE IN MILLIMETRES UNLESS OTHERWISE SPECIFIED.  
 2. NUMBER OF POSTS TO BE DETERMINED IN FIELD.



FIRE HYDRANT PROTECTION PLACEMENT

APPROVED APRIL 2021	DRAWN BY C WRIGHT	APPROVED 	DRAWING NUMBER <b>WA-004-003</b>
SCALE NTS	CHECKED BY D MATHEW	DIRECTOR, WATER DISTRIBUTION AND TRANSMISSION	OLD DRAWING NUMBER <b>2513-02</b>



**NOTES:**

1. ALL DIMENSIONS ARE IN MILLIMETRES UNLESS OTHERWISE SPECIFIED.
2. EXISTING HYDRANTS TO HAVE ORANGE SAFETY BARRIER FENCE ERRECTED 1.5m EITHER SIDE OF HYDRANT. THE ROAD FACING SIDE MUST REMAIN CLEAR OF FENCING AND NO MATERIAL STOCK PILES, EQUIPMENT, ETC. ARE TO BLOCK ACCESS TO HYDRANT.
3. DO NOT BLOCK STEAMER NOZZLE.
4. ORANGE SAFETY BARRIER TO BE SECURED BY STEEL T-POSTS.
5. IF HYDRANT CONTROL VALVE IS BESIDE OR BEHIND THE HYDRANT, EXTEND FENCING TO 1.5m OUTSIDE OF VALVE.
6. CONTACT EPCOR WATER SERVICES INC. AT 780-412-4500 A MINIMUM OF 72 HRS PRIOR TO THE START OF CONSTRUCTION TO INSTALL WHITE DISK ON HYDRANT AND WITHIN 72 HRS OF REMOVAL OF HOARDING TO REMOVE WHITE DISK.

## FIRE HYDRANT HOARDING DETAIL



APPROVED  
APRIL 2021

DRAWN BY  
C WRIGHT

APPROVED

DRAWING NUMBER  
**WA-004-004**

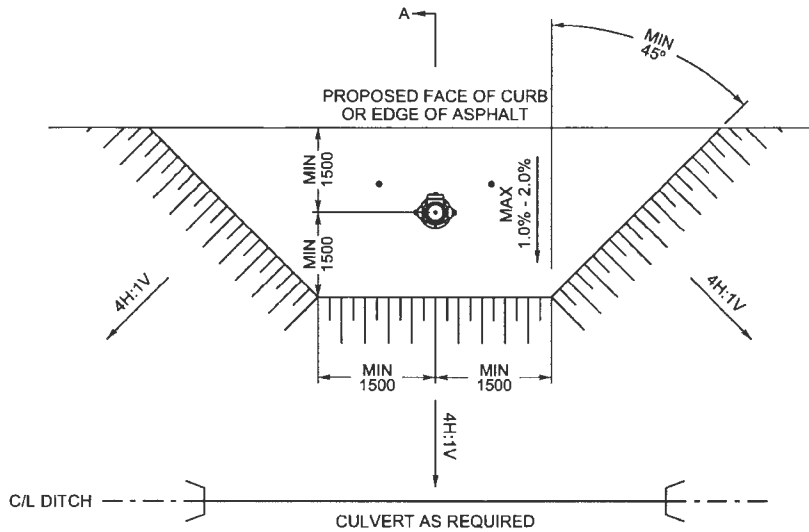
SCALE  
NTS

CHECKED BY  
D MATHEW

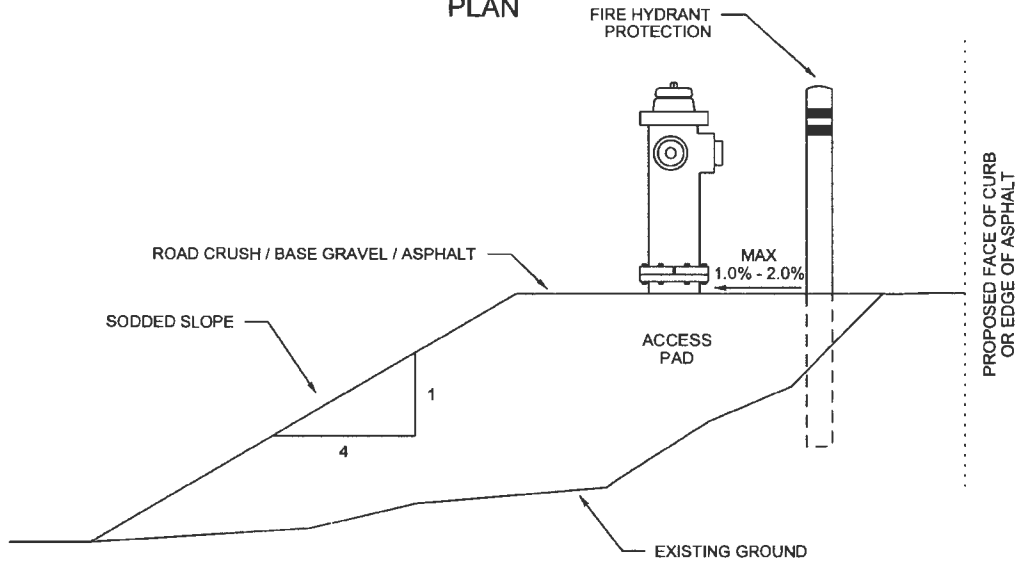
-----  
DIRECTOR, WATER DISTRIBUTION AND TRANSMISSION

OLD DRAWING NUMBER

-



PLAN



SECTION A-A

NOTES:

1. ALL DIMENSIONS ARE IN MILLIMETRES UNLESS OTHERWISE SPECIFIED.
2. PAD TO BE 50mm ROAD CRUSH, BASE GRAVEL OR ASPHALT COMPACTED TO 100% OF STANDARD PROCTOR DENSITY C/W CULVERT AS REQUIRED.
3. FOR HYDRANT PLACEMENT, REFER TO DRAWING WA-004-001.
4. FOR HYDRANT PROTECTION PLACEMENT REFER TO DRAWING WA-004-002
5. SEE DRAWING WA-007-003 FOR CATHODIC PROTECTION REQUIREMENTS.
6. MINIMUM 1.5m TO THE EDGE OF PAD IS REQUIRED FOR ALL APPURTENANCES.
7. FOR CULVERT CONSTRUCTION, REFER TO DRAWING NO 3020 OF THE CITY OF EDMONTON DESIGN AND CONSTRUCTION STANDARD VOL. 2
8. ALL SIDE SLOPES TO BE MINIMUM 4H:1V.



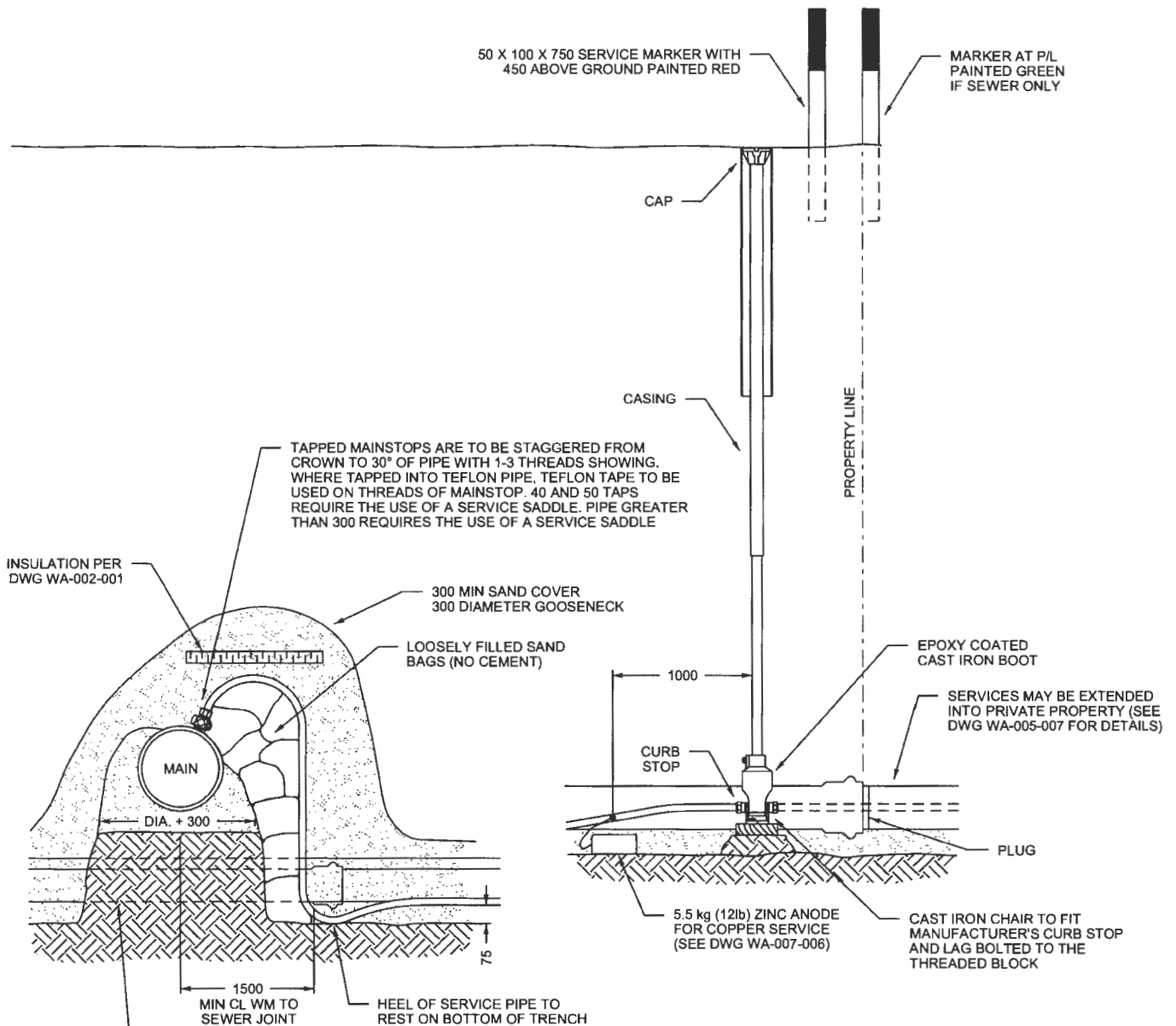
FIRE HYDRANT ACCESS PAD

APPROVED  
APRIL 2021  
SCALE  
NTS

DRAWN BY  
C WRIGHT  
CHECKED BY  
D MATHEW

APPROVED  
*[Signature]*  
DIRECTOR, WATER DISTRIBUTION AND TRANSMISSION

DRAWING NUMBER  
**WA-004-005**  
OLD DRAWING NUMBER  
-



**NOTES:**

1. ALL DIMENSIONS ARE IN MILLIMETRES UNLESS OTHERWISE SPECIFIED.
2. AN ADDITIONAL GOOSENECK IS REQUIRED AT EACH SEWER CROSSING.
3. MAINSTOP TAPS SHALL BE A MINIMUM OF 600mm APART AND NO LESS THAN 600mm FROM A COUPLING OR COLLAR.
4. COPPER SERVICE PIPE SHALL BE ONE OF THE CONTINUOUS PIECE. SHOULD LENGTH EXCEED 20m, A DOUBLE UNION WILL ALLOWED AND SIZE OF COPPER MUST BE 25mm MINIMUM.
5. INVERT ELEVATION OF WATER SERVICE PIPES AT PROPERTY LINE SHALL BE 2.59m BELOW ESTABLISHED GRADE.
6. WHERE ENGINEER APPROVED COVER OVER WATER SERVICE TO BE LESS THAN 2.59m, SERVICE IS TO BE INSULATED IN ACCORDANCE WITH DWG WA-002-001.
7. ZINC ANODE SHALL BE ATTACHED TO COPPER PIPE 1.0m FROM CC WITH AN ALL BRONZE (INCLUDING NUTS AND BOLTS) CLAMP OR APPROVED EQUIVALENT.
8. ZINC ANODE TO BE EMBEDDED INTO TRENCH WALL TO PROVIDE FOR MIN. 50mm OF NATIVE CLAY SURROUNDING ANODE.
9. REQUIRES ENGINEER'S APPROVAL PRIOR TO INSTALLATION.
10. INSULATION MUST BE INSTALLED ABOVE ALL VERTICAL GOOSENECKS PER DWG WA-002-001.

## 50mm AND SMALLER COPPER WATER SERVICE



APPROVED  
APRIL 2021

SCALE  
NTS

DRAWN BY  
C WRIGHT

CHECKED BY  
D MATHEW

APPROVED

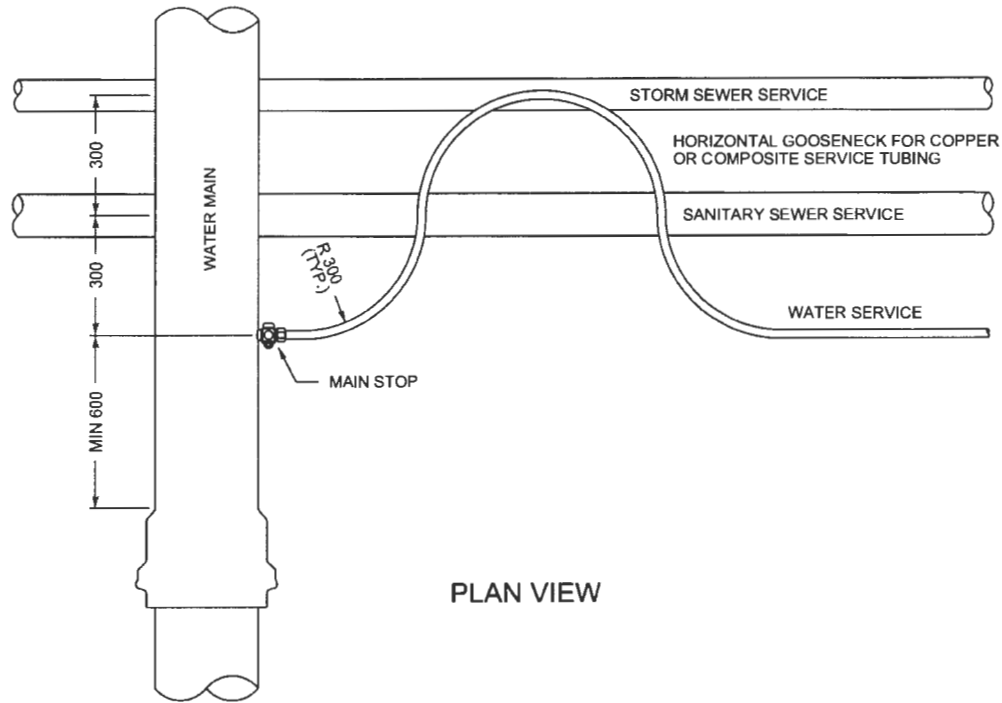
*[Signature]*

DIRECTOR, WATER DISTRIBUTION AND TRANSMISSION

DRAWING NUMBER  
**WA-005-001**

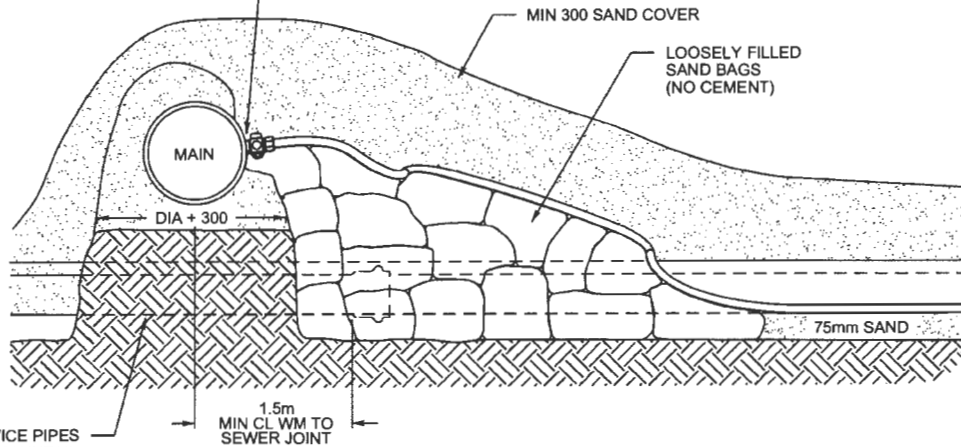
OLD DRAWING NUMBER  
**2514-01**





PLAN VIEW

PVC PIPE:  
 MAINSTOPS TO BE STAGGERED FROM SPRING LINE TO 15 DEGREES OF PIPE WITH 1-3 THREADS SHOWING. TEFLON TAPE TO BE USED ON THREADS OF MAINSTOP. TAPS ON PIPE GREATER THAN 300 DIAMETER REQUIRE A SERVICE SADDLE. SUPPORT SERVICE TUBING ON LEDGE FORMED IN TRENCH WALL OR ON LOOSELY FILLED SAND BAGS.



TUNNEL SEWER SERVICE PIPES UNDER WATER MAIN TO MAINTAIN WATER MAIN SUPPORT (OR SAND BAG BRIDGE). ENSURE NO JOINTS WITHIN 1.5m OF CROSSING.

NOTES:

1. ALL DIMENSIONS ARE IN MILLIMETRES UNLESS OTHERWISE SPECIFIED.
2. AN ADDITIONAL GOOSENECK IS REQUIRED AT EACH SEWER CROSSING.
3. MAINSTOP TAPS SHALL BE A MINIMUM OF 600mm APART, AND NO LESS THAN 600mm FROM A COUPLING OR COLLAR.
4. COMPOSITE SERVICE TUBING SHALL BE SUPPORTED EVENLY ALONG ITS ENTIRE LENGTH WITH NO FREE SPANS.
5. INVERT ELEVATION OF WATER SERVICE PIPES AT PROPERTY LINE SHALL BE 2.70m +/- 0.15m BELOW ESTABLISHED FINISHED GRADE.
6. WHERE ENGINEER APPROVED COVER OVER WATER SERVICE TO BE LESS THAN 2.00m SERVICE IS TO BE INSULATED IN ACCORDANCE WITH DWG WA-002-001.
7. FOR CURB COCK AND CURB BOX ASSEMBLY SEE DWG WA-005-003 TO WA-005-006.
8. ZINC ANODE FOR COPPER SERVICES TO BE EMBEDDED IN TRENCH WALL TO PROVIDE FOR MIN. 50mm OF NATIVE CLAY SURROUNDING ANODE AS PER DWG WA-007-006.

## 50mm AND SMALLER COPPER, POLYMER, OR COMPOSITE WATER SERVICE



APPROVED  
APRIL 2021

DRAWN BY  
C WRIGHT

APPROVED

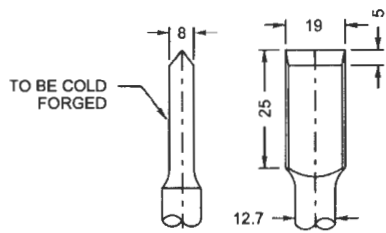
DRAWING NUMBER  
WA-005-002

SCALE  
NTS

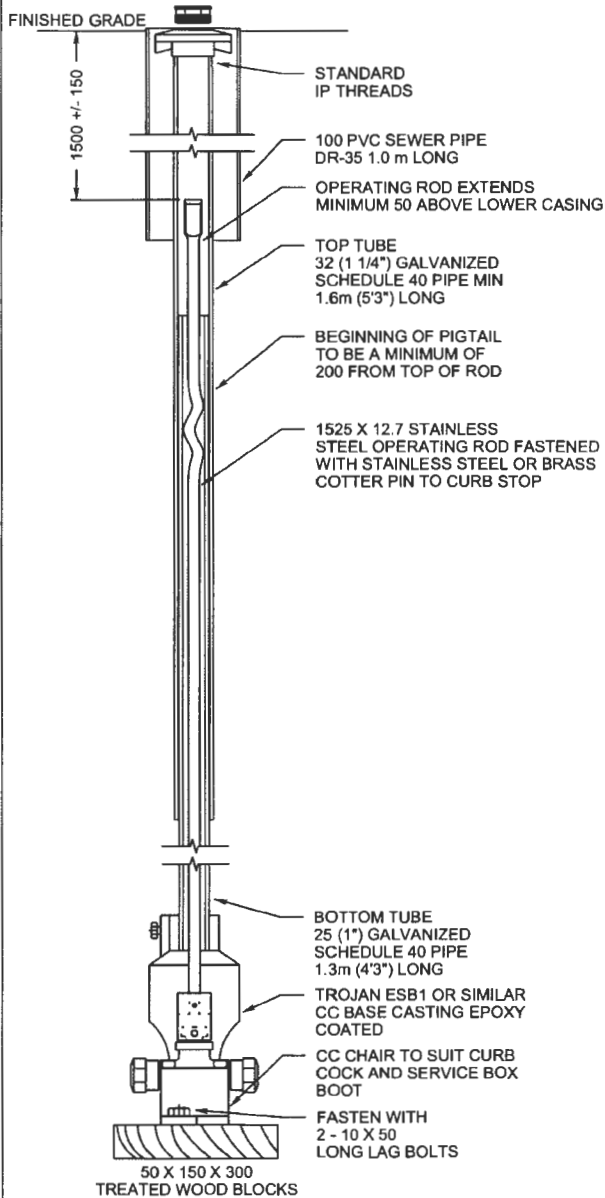
CHECKED BY  
D MATHEW

-----  
DIRECTOR, WATER DISTRIBUTION AND TRANSMISSION

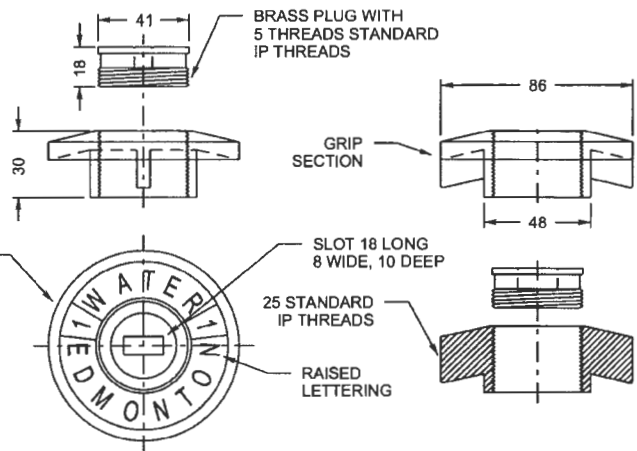
OLD DRAWING NUMBER  
2514-02



DETAIL "A"

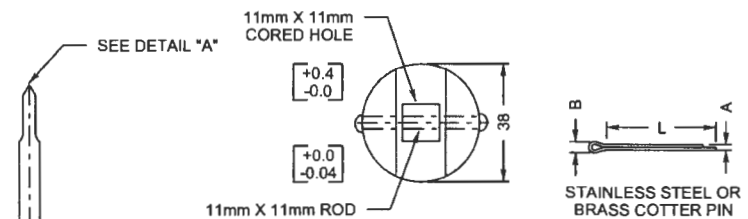


"1" DENOTES SERVICES 25 AND SMALLER

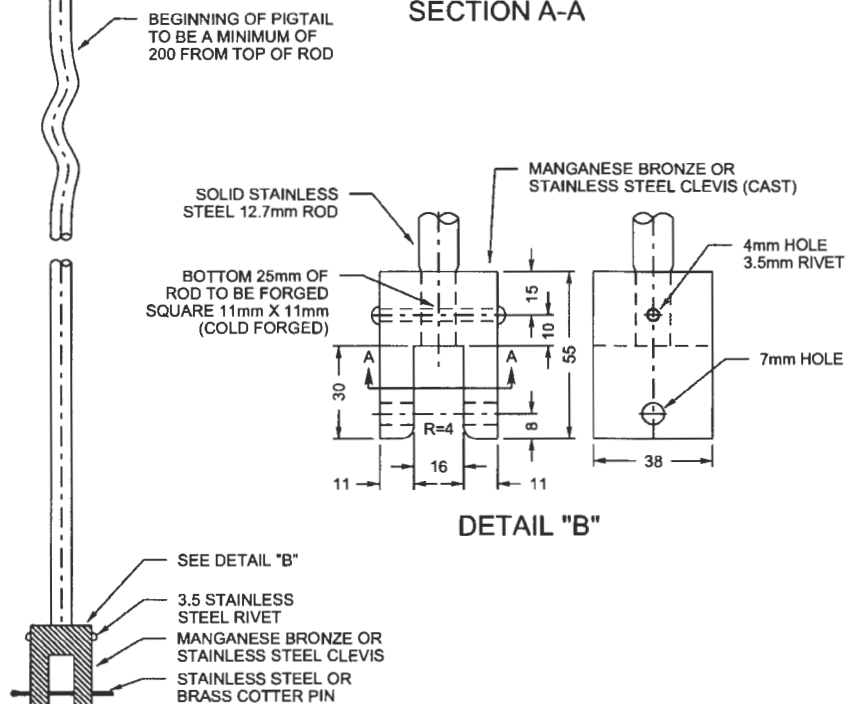


BRASS CAP

COTTER PIN					
NOMINAL DIAMETER	DIAMETER A		OUTSIDE EYE DIAMETER B MINIMUM	HOLE SIZE RECOMMENDED	LENGTH L
	MAX.	MIN.			
6.35mm	5.7mm	5.6mm	12.7mm	6.7mm	55mm



SECTION A-A



DETAIL "B"

- NOTES:
1. ALL DIMENSIONS ARE IN MILLIMETRES UNLESS OTHERWISE SPECIFIED.
  2. OPERATING ROD SHALL BE SUPPLIED AS A SINGLE UNIT COMPRISED OF A SOLID STAINLESS STEEL ROD, ATTACHED TO A CLEVIS WITH A STAINLESS STEEL RIVET.
  3. THE MANUFACTURERS NAME SHALL BE EMBOSSSED ONTO THE CLEVIS.

SERVICE BOX DETAIL FOR 20mm, 25mm WATER SERVICE (TWO PIECE CASING)



APPROVED  
APRIL 2021

DRAWN BY  
C WRIGHT

APPROVED

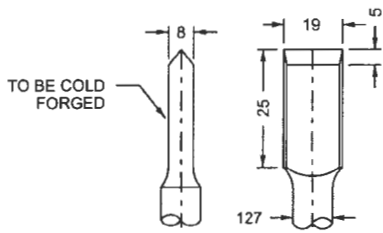
DRAWING NUMBER  
WA-005-003

SCALE  
NTS

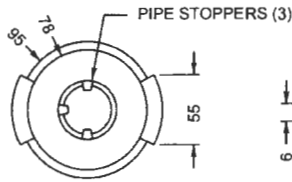
CHECKED BY  
D MATHEW

DIRECTOR, WATER DISTRIBUTION AND TRANSMISSION

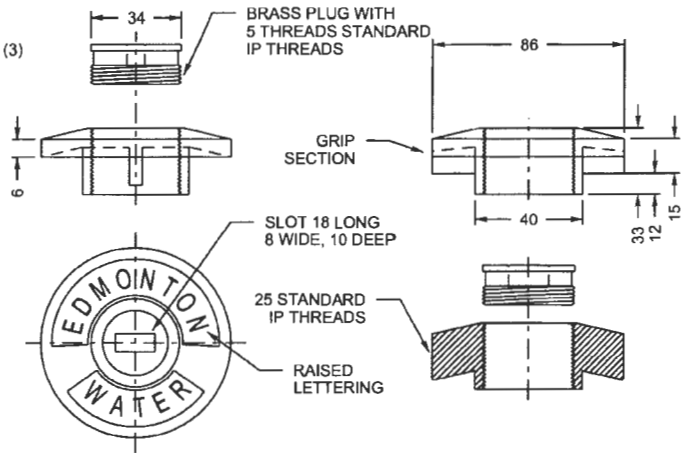
OLD DRAWING NUMBER  
2514-03a



DETAIL "A"

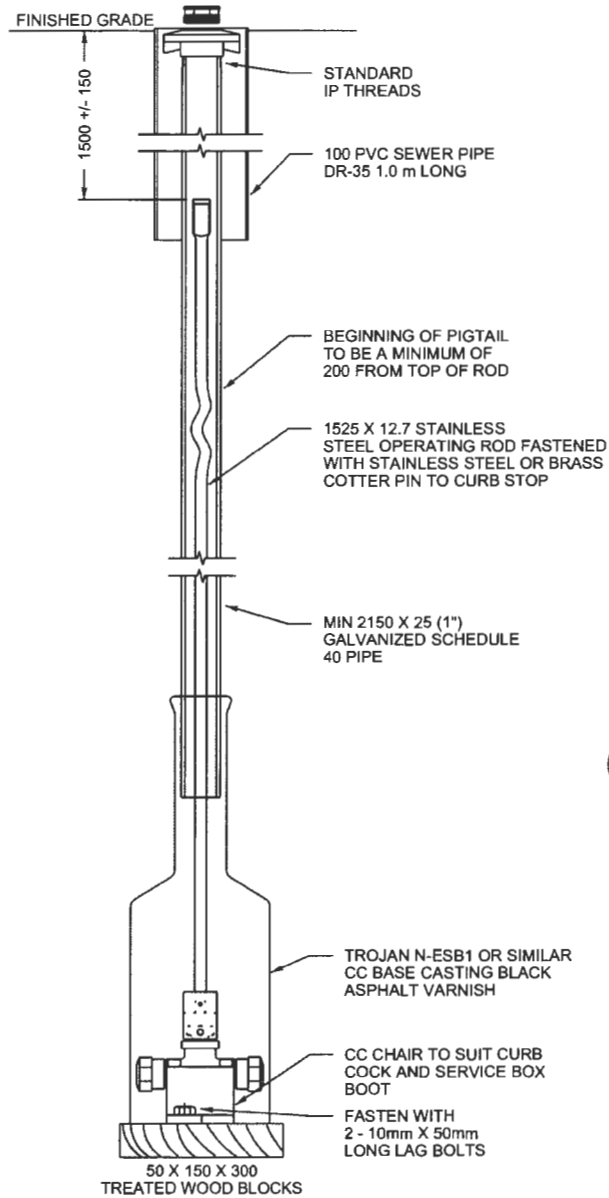


BOOT BOTTOM VIEW

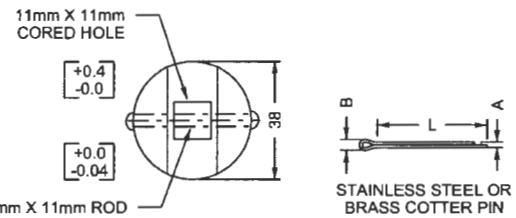


BRASS CAP

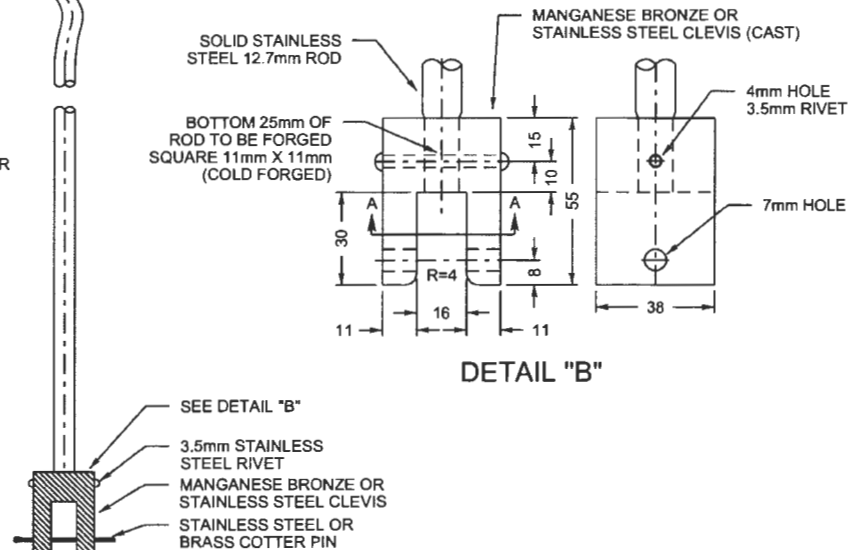
COTTER PIN					
NOMINAL DIAMETER	DIAMETER A		OUTSIDE EYE DIAMETER B MINIMUM	HOLE SIZE RECOMMENDED	LENGTH L
	MAX.	MIN.			
6.35mm	5.7mm	5.6mm	12.7mm	6.7mm	55mm



- NOTES:
1. ALL DIMENSIONS ARE IN MILLIMETRES UNLESS OTHERWISE SPECIFIED.
  2. OPERATING ROD SHALL BE SUPPLIED AS A SINGLE UNIT COMPRISED OF A SOLID STAINLESS STEEL ROD, ATTACHED TO A CLEVIS WITH A STAINLESS STEEL RIVET.
  3. THE MANUFACTURERS NAME SHALL BE EMBOSSED ONTO THE CLEVIS.

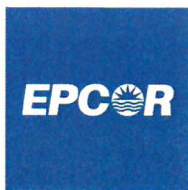


SECTION A-A



DETAIL "B"

## SERVICE BOX DETAIL FOR 20mm, 25mm WATER SERVICE (ONE PIECE CASING)



APPROVED  
APRIL 2021

DRAWN BY  
C WRIGHT

CHECKED BY  
D MATHEW

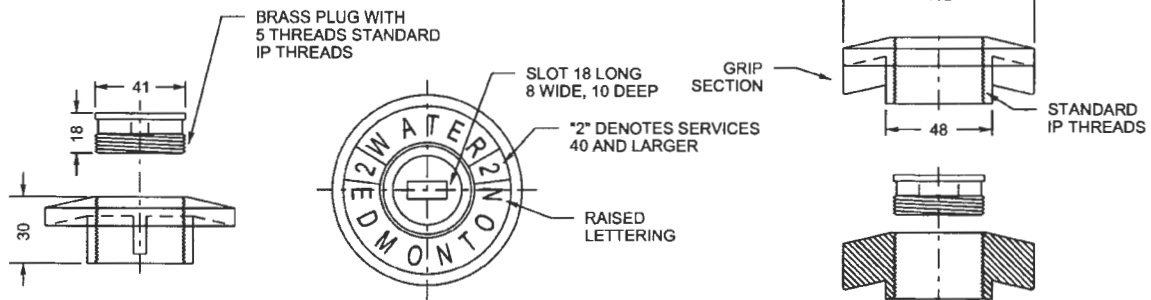
APPROVED

*[Signature]*

DIRECTOR, WATER DISTRIBUTION AND TRANSMISSION

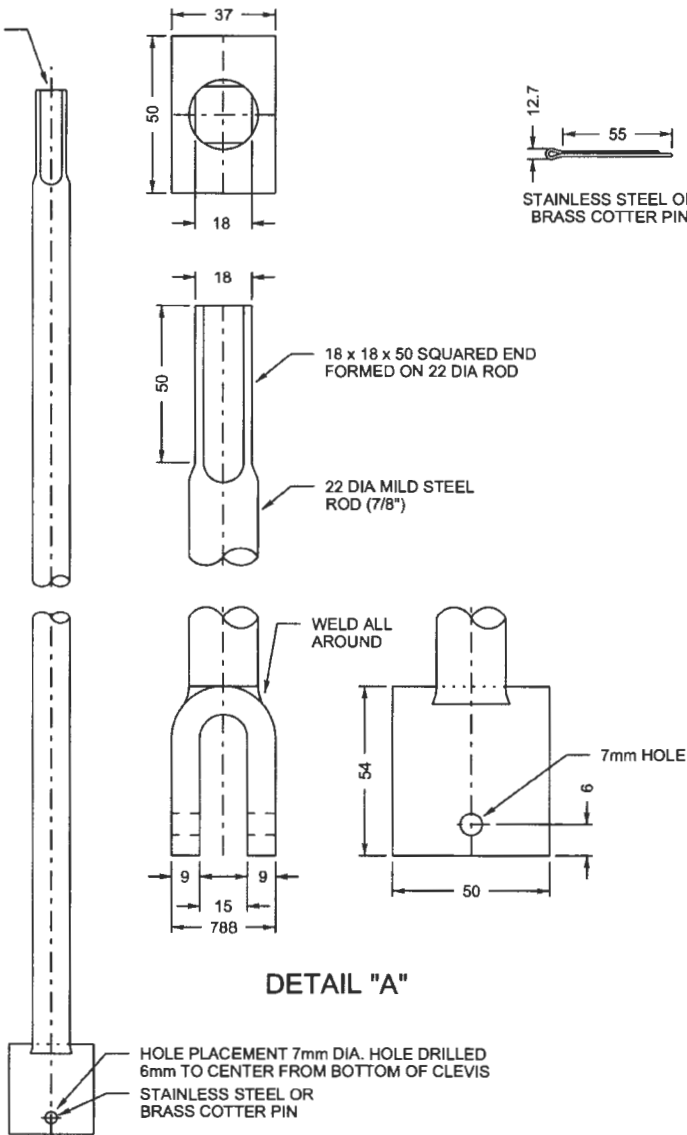
DRAWING NUMBER  
WA-005-004

OLD DRAWING NUMBER  
2514-03b

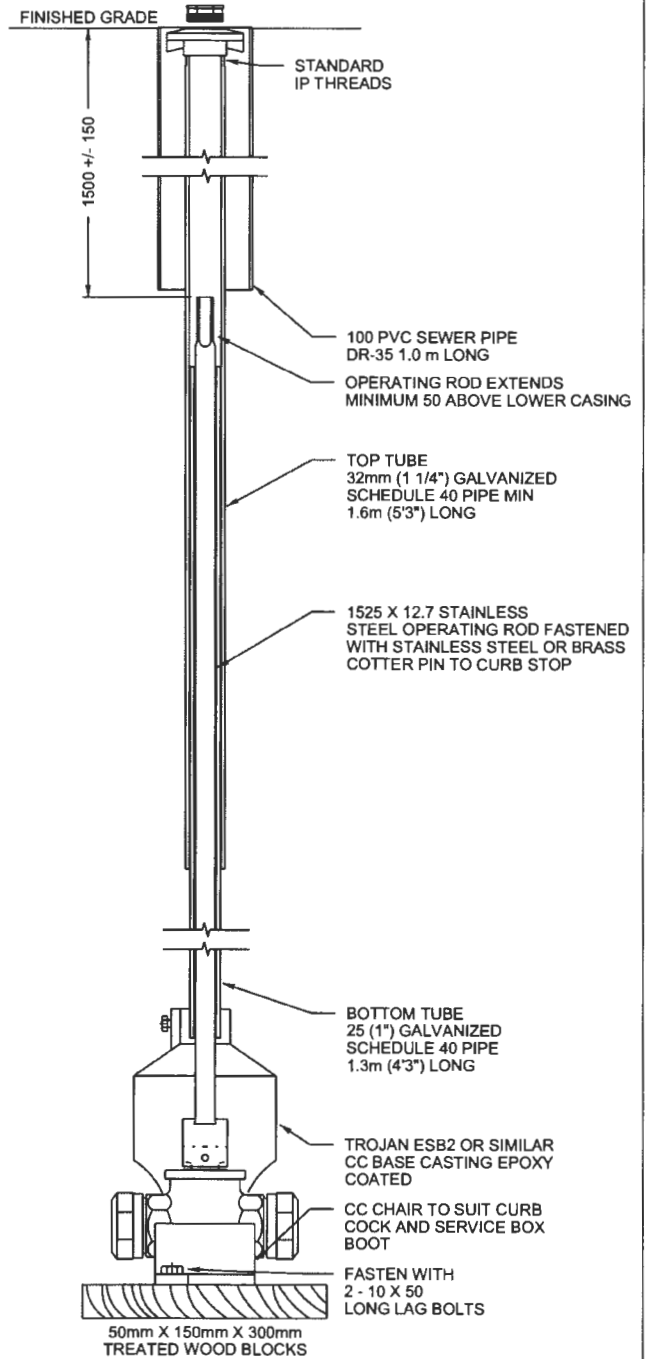


**BRASS CAP**

SEE  
DETAIL "A"



**DETAIL "A"**



- NOTES:
1. ALL DIMENSIONS ARE IN MILLIMETRES UNLESS OTHERWISE SPECIFIED.
  2. OPERATING ROD SHALL BE SUPPLIED AS A SINGLE UNIT COMPRISED OF A SOLID STAINLESS STEEL ROD, ATTACHED TO A CLEVIS WITH A STAINLESS STEEL RIVET.
  3. THE MANUFACTURERS NAME SHALL BE EMBOSSED ONTO THE CLEVIS.
  4. CLEVIS FORMED FROM MILD STEEL FLAT 120mm x 50mm x 9mm (4 3/16" x 2" x 3/8")

## SERVICE BOX DETAIL FOR 40mm, 50mm WATER SERVICE (TWO PIECE CASING)

**EPCOR**

APPROVED  
APRIL 2021

DRAWN BY  
C WRIGHT

APPROVED

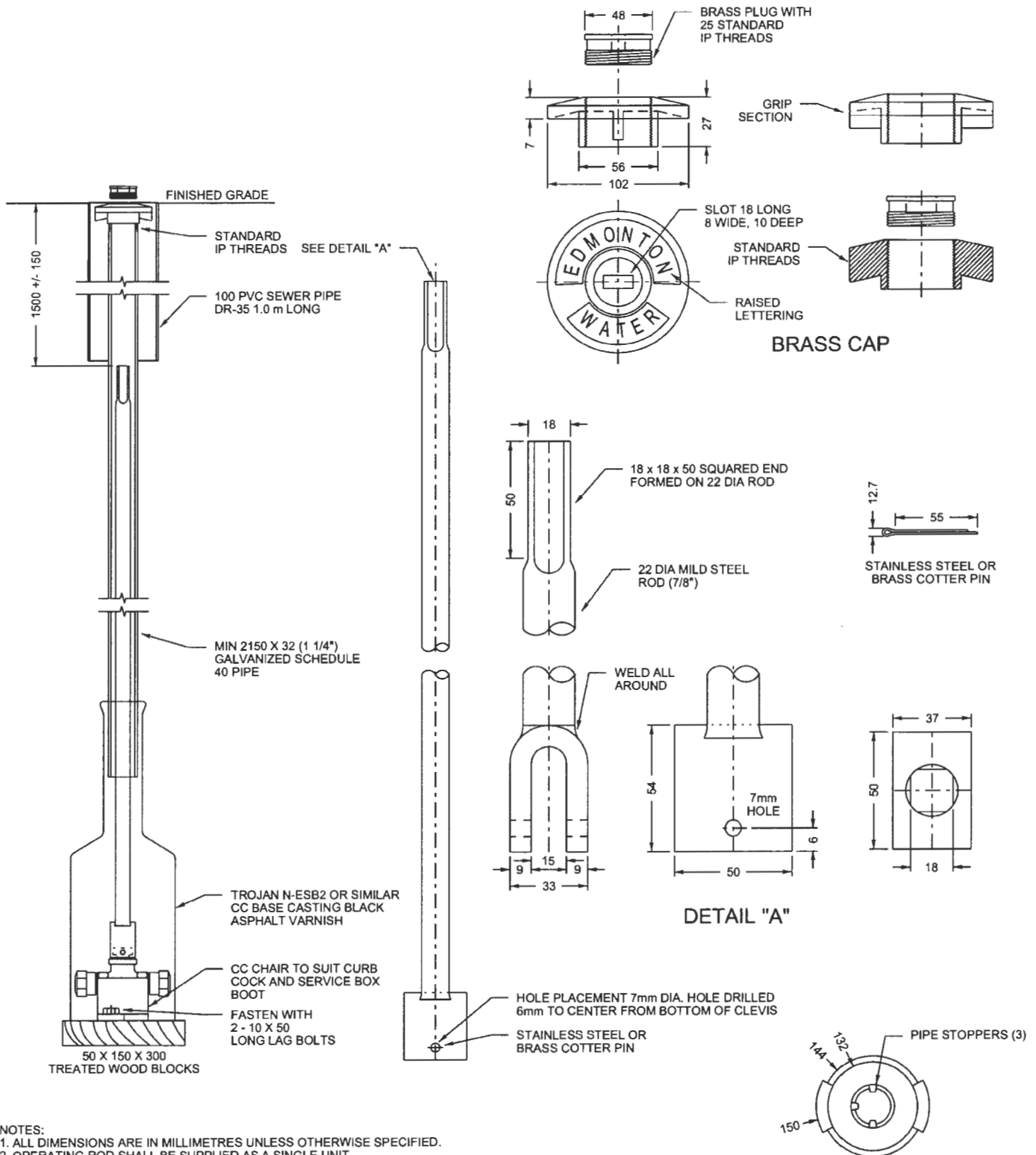
DRAWING NUMBER  
**WA-005-005**

SCALE  
NTS

CHECKED BY  
D MATHEW

DIRECTOR, WATER DISTRIBUTION AND TRANSMISSION

OLD DRAWING NUMBER  
**2514-04a**



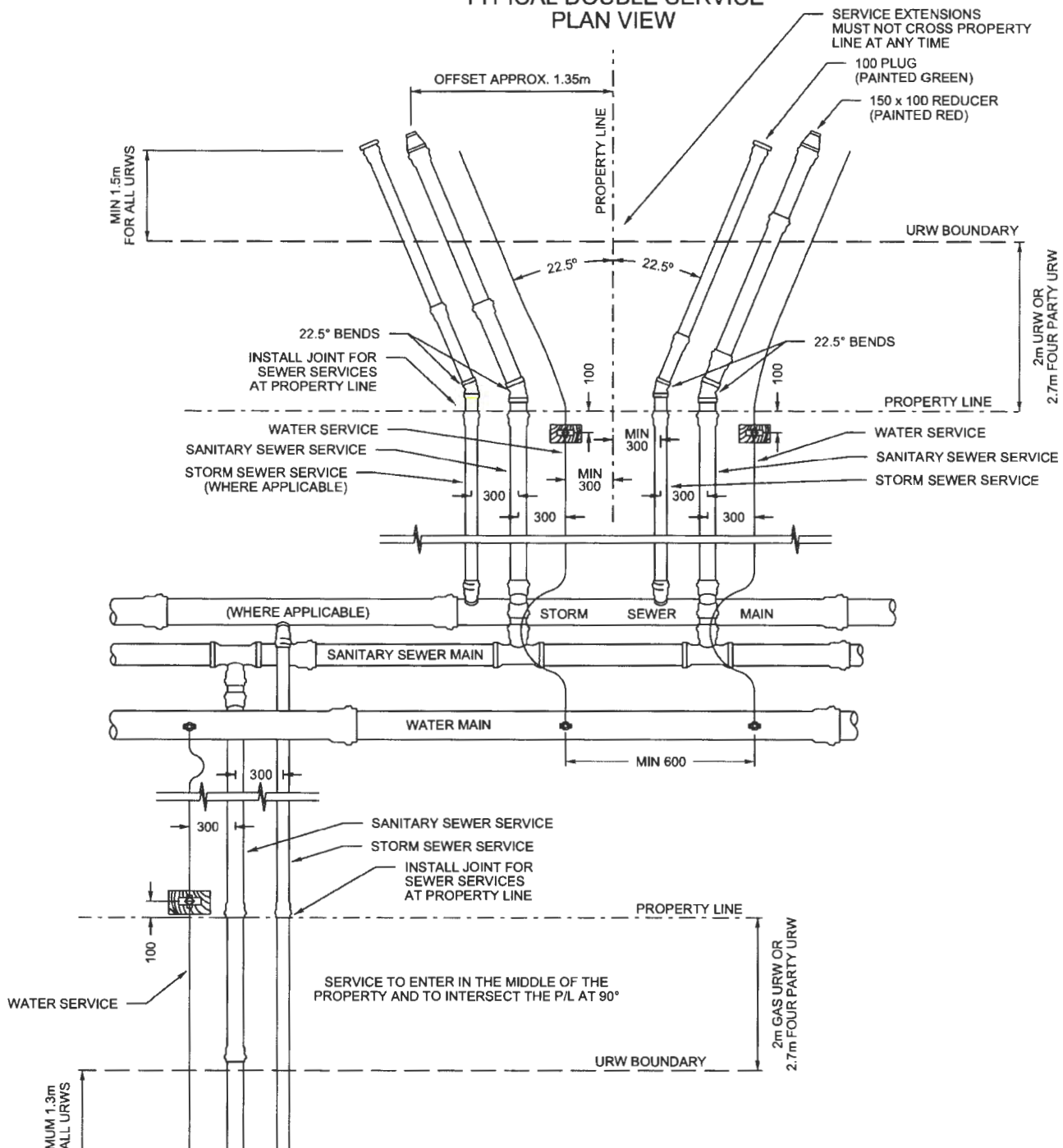
- NOTES:
1. ALL DIMENSIONS ARE IN MILLIMETRES UNLESS OTHERWISE SPECIFIED.
  2. OPERATING ROD SHALL BE SUPPLIED AS A SINGLE UNIT COMPRISED OF A SOLID MILD STEEL ROD WITH A MILD STEEL CLEVIS WELDED TO IT.
  3. THE MANUFACTURERS NAME SHALL BE EMBOSSED ONTO THE CLEVIS.
  4. CLEVIS FORMED FROM MILD STEEL FLAT 120mm x 50mm x 9mm (4 3/4" x 2" x 3/8")

## SERVICE BOX DETAIL FOR 40mm, 50mm WATER SERVICE (ONE PIECE CASING)

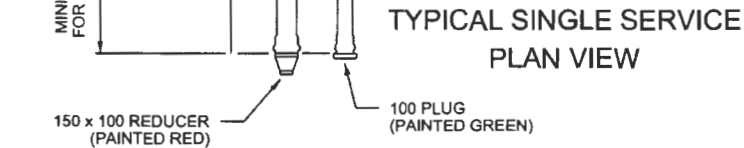


APPROVED APRIL 2021	DRAWN BY C WRIGHT	APPROVED  DIRECTOR, WATER DISTRIBUTION AND TRANSMISSION	DRAWING NUMBER <b>WA-005-006</b>
SCALE NTS	CHECKED BY D MATHEW		OLD DRAWING NUMBER <b>2514-04b</b>

## TYPICAL DOUBLE SERVICE PLAN VIEW



## TYPICAL SINGLE SERVICE PLAN VIEW



- NOTES:**
1. ALL DIMENSIONS ARE IN MILLIMETRES UNLESS OTHERWISE SPECIFIED.
  2. WATER AND SEWER SERVICES MAY BE EXTENDED BEYOND GAS URW.
  3. EPCOR AND THE CITY EXCEPT NO RESPONSIBILITY FOR THE CONSTRUCTION OR SERVICES INSTALLED ON PRIVATE PROPERTY.
  4. MARK ENDS OF SERVICES WITH A 50mm x 100mm x 750mm STAKE PROTRUDING 450mm ABOVE GROUND AND PAINTED BLUE. MARK THE CURB CONTROL VALVE WITH A SIMILAR STAKE PAINTED RED.
  5. PERMEABLE FILTER CLOTH MUST BE USED ON THE END OF SERVICES TO PREVENT INTRUSION OF DEBRIS AND TO ALLOW FLOW TESTING OF CURB STOP
  6. REFER TO APPLICABLE SECTIONS OF THESE STANDARDS FOR REQUIREMENTS FOR SEWERS AND SEWER SERVICES.
  7. SANITARY AND STORM SERVICES MUST HAVE A BELL AT PROPERTY LINE.
  8. ENSURE NO JOINT WITHIN 1.5m OF CROSSING LOCATION.

## TYPICAL SINGLE AND DUAL SERVICE FOR NEW DEVELOPMENT



APPROVED  
APRIL 2021

DRAWN BY  
C WRIGHT

APPROVED

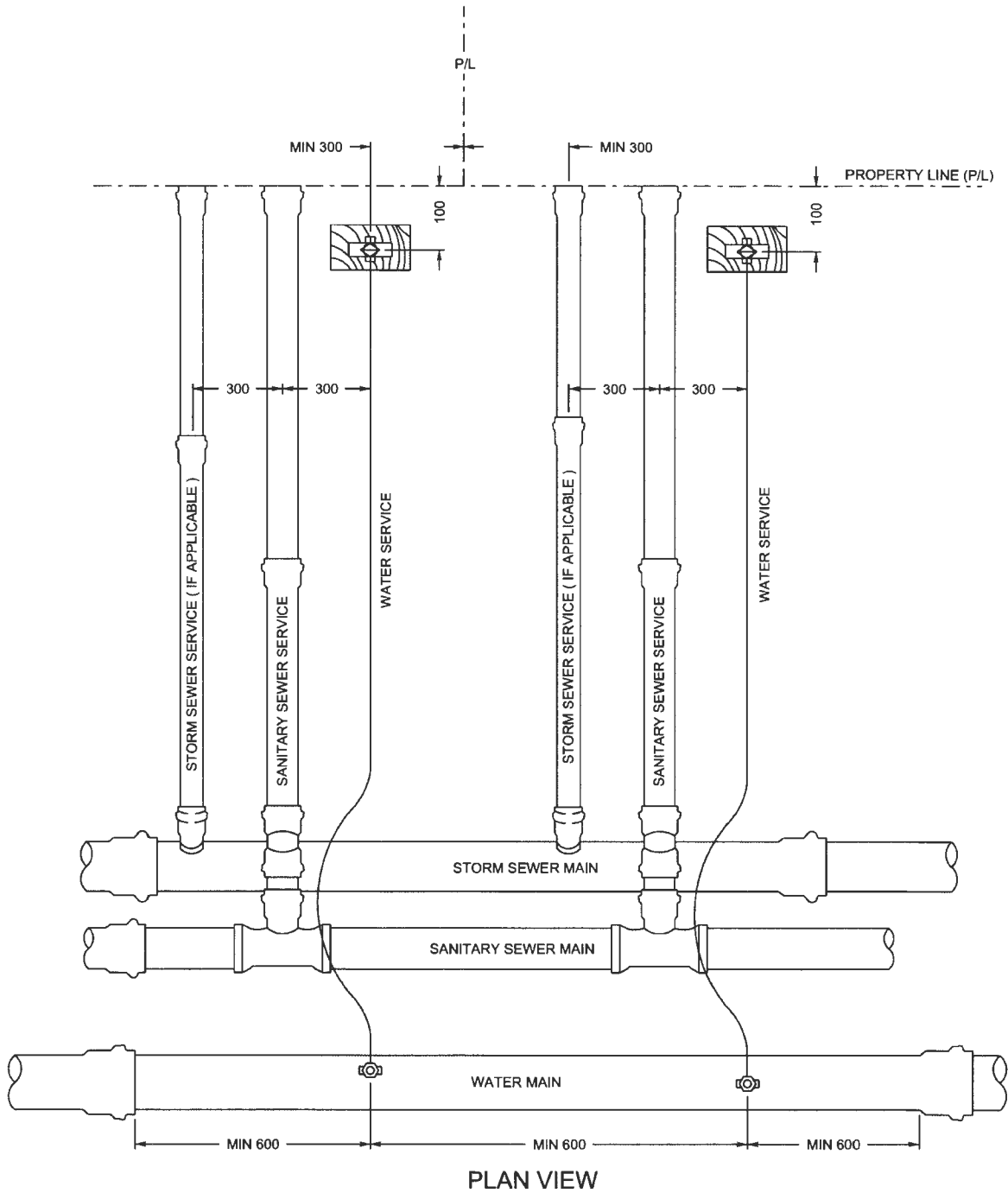
DRAWING NUMBER  
**WA-005-007**

SCALE  
NTS

CHECKED BY  
D MATHEW

DIRECTOR, WATER DISTRIBUTION AND TRANSMISSION

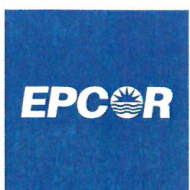
OLD DRAWING NUMBER  
**2514-09**



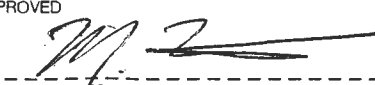
PLAN VIEW

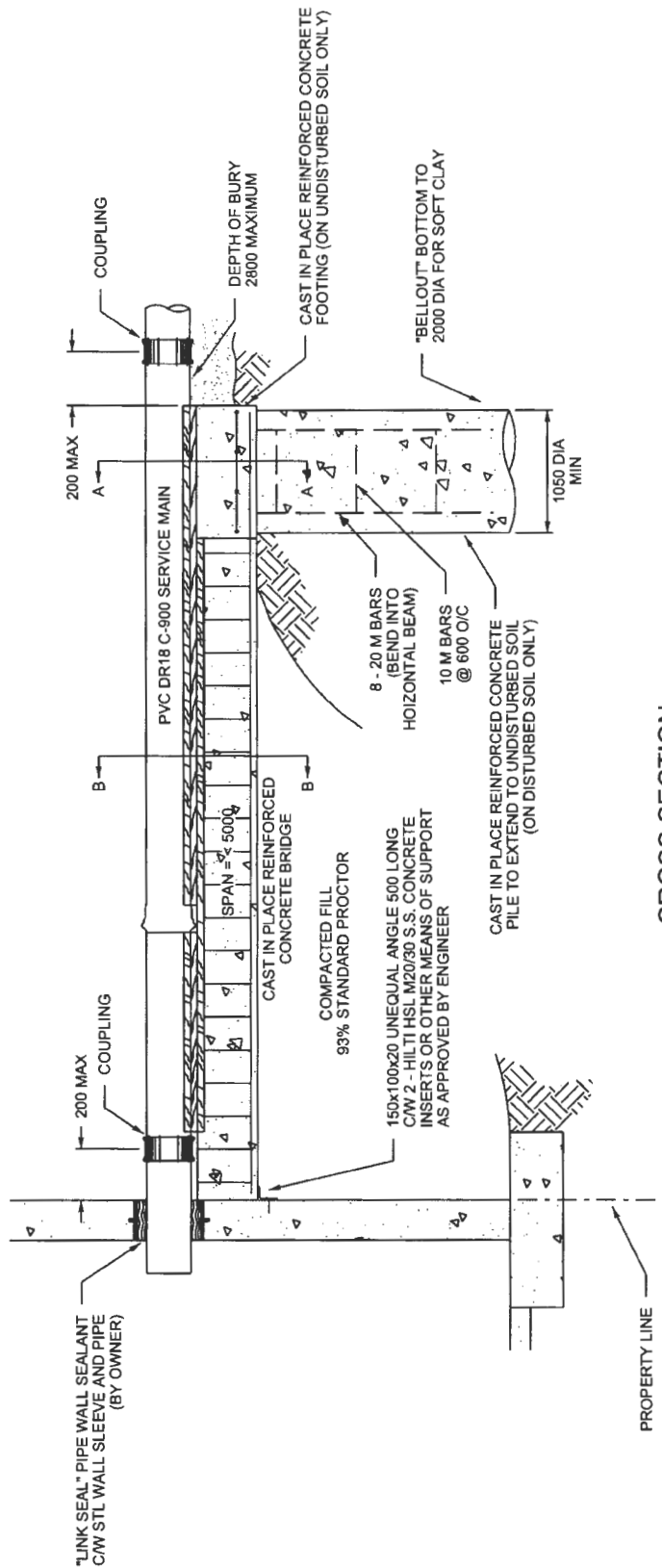
NOTES:

1. ALL DIMENSIONS ARE IN MILLIMETRES UNLESS OTHERWISE SPECIFIED.
2. SERVICES MAY BE EXTENDED INTO PRIVATE PROPERTY BEYOND GAS EASEMENT (SEE DWG WA-005-007 FOR DETAILS).
3. SANITARY AND STORM SERVICES MUST HAVE A BELL AT PROPERTY LINE.
4. REFER TO APPLICABLE SECTIONS FOR REQUIREMENTS FOR SEWER MAINS AND SEWER SERVICES.

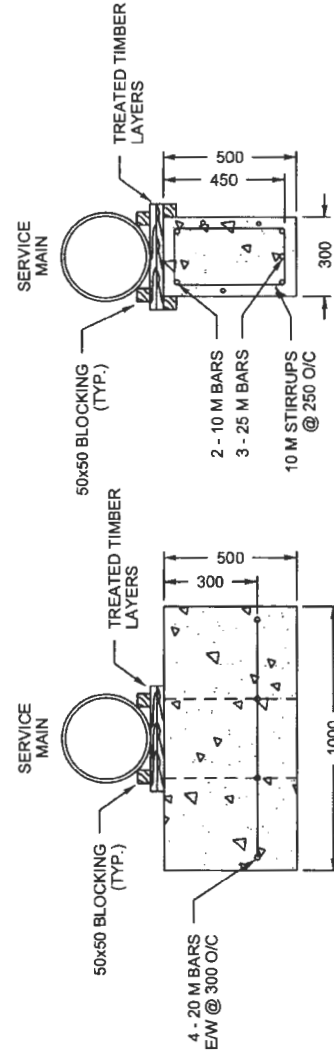


## TYPICAL DUAL SERVICE FOR DUPLEX / SEMI-DETACHED LOTS

APPROVED APRIL 2021	DRAWN BY C WRIGHT	APPROVED 	DRAWING NUMBER <b>WA-005-008</b>
SCALE NTS	CHECKED BY D MATHEW	DIRECTOR, WATER DISTRIBUTION AND TRANSMISSION	OLD DRAWING NUMBER <b>2514-07</b>



**CROSS SECTION**



**SECTION "B - B"**


**SECTION "A - A"**

- NOTES:
1. ALL DIMENSIONS ARE IN MILLIMETRES UNLESS OTHERWISE SPECIFIED.
  2. ALL CONCRETE TO BE 32 MPa AT 56 DAYS, REBAR TO BE 300 MPa.
  3. CLEAR COVER ON ALL REINFORCING STEEL TO BE 50mm.
  4. ALL CONCRETE TO BE SULFATE RESISTANT TYPE HS ACCORDING TO THE MOST RECENT PUBLICATION OF CSA-A3000 UNLESS OTHERWISE APPROVED BY THE ENGINEER.
  5. ALL STRUCTURAL STEEL TO BE GALVANIZED.
  6. ALL REBAR SPLICES TO BE 800mm MINIMUM.
  7. CONCRETE INSERTS TO BE INSTALLED AS PER MANUFACTURER'S GUIDELINES.



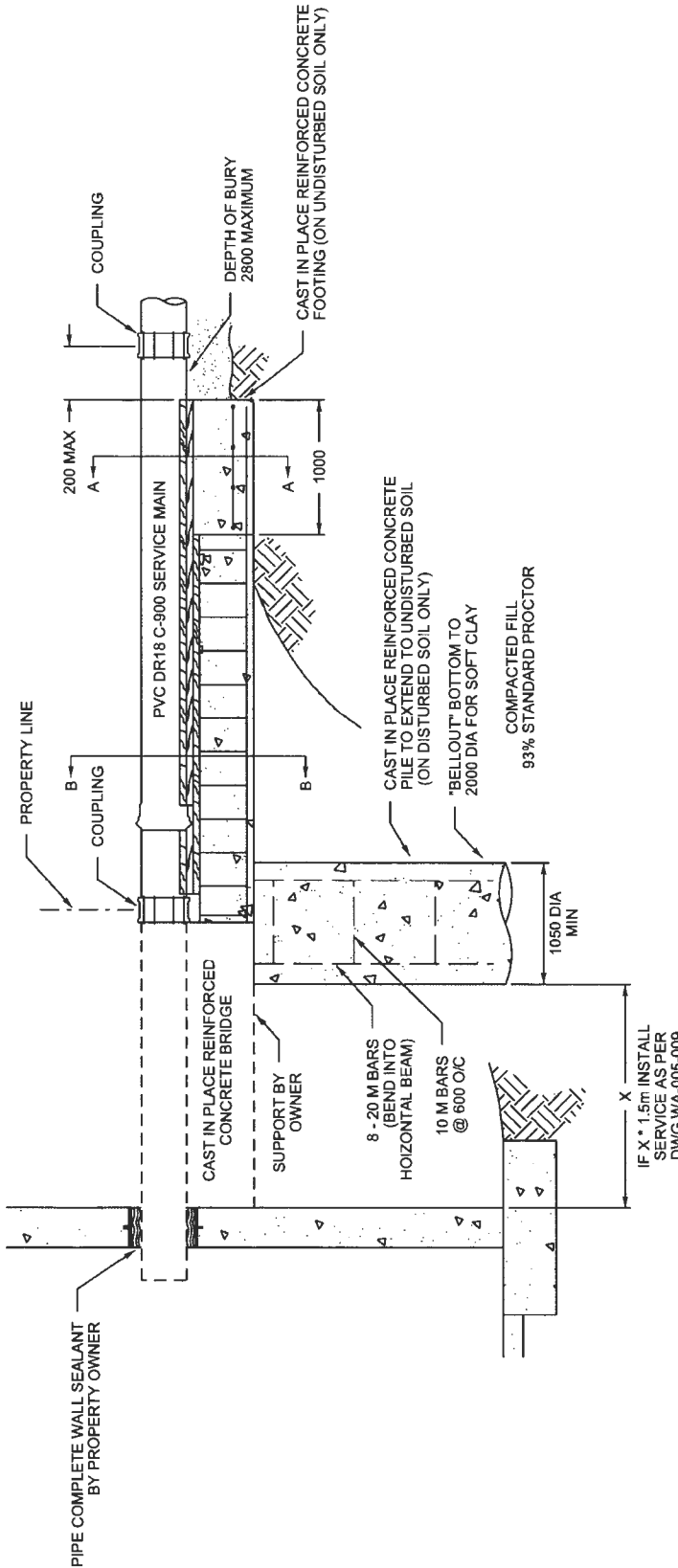
**100mm TO 300mm WATER SERVICE FOR UNSUITABLE FOUNDATION CONDITION (BUILDING ABUTTING PROPERTY LINE)**

APPROVED APRIL 2021	DRAWN BY C WRIGHT
SCALE NTS	CHECKED BY D MATHEW

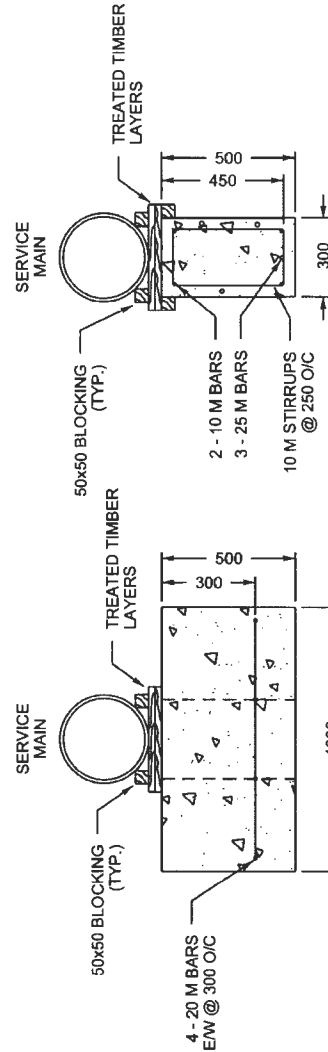
APPROVED  
  
 DIRECTOR, WATER DISTRIBUTION AND TRANSMISSION

DRAWING NUMBER <b>WA-005-009</b>
OLD DRAWING NUMBER <b>2514-10</b>





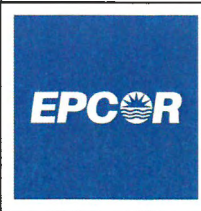
CROSS SECTION



SECTION "B - B"

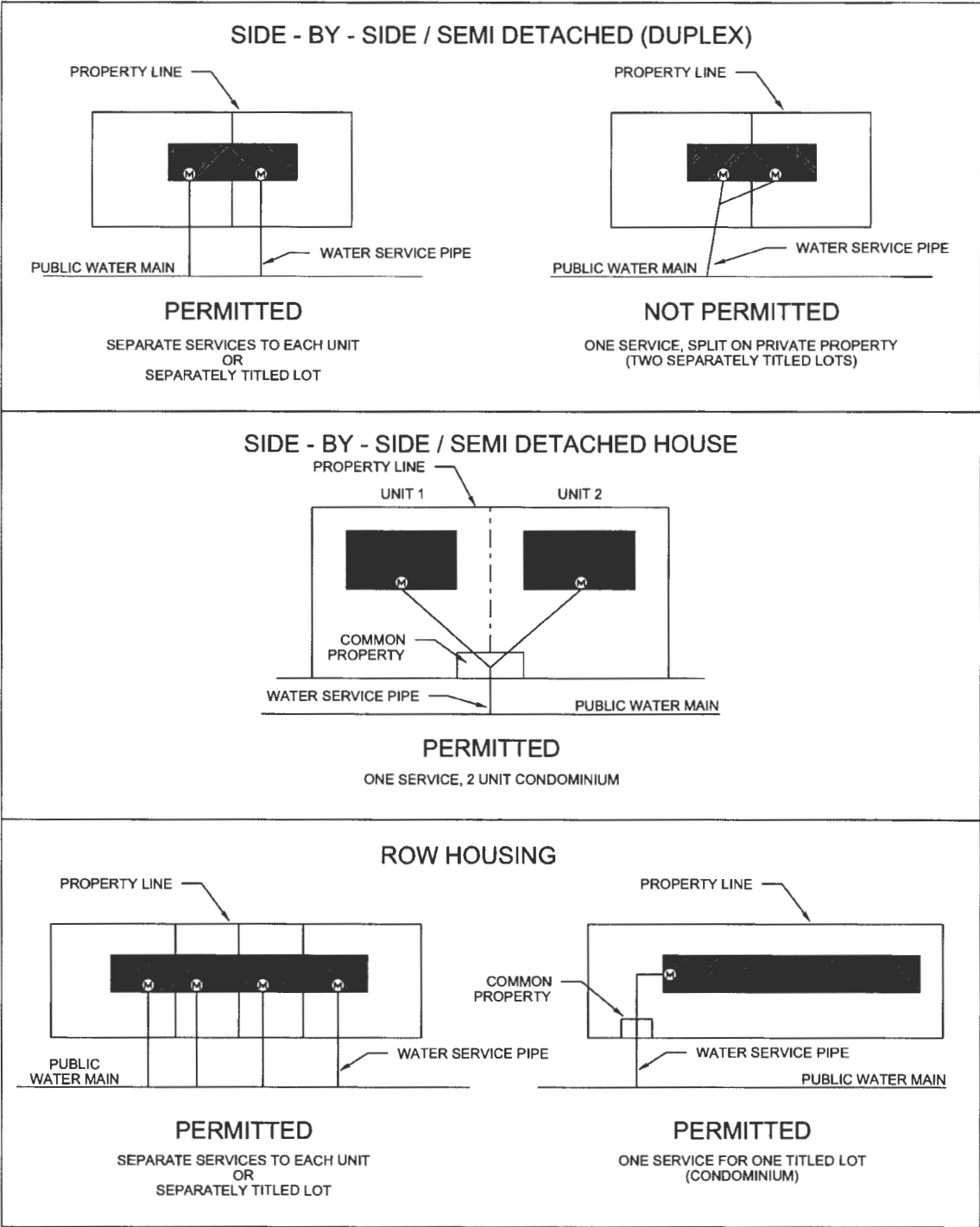
SECTION "A - A"

- NOTES:
1. ALL DIMENSIONS ARE IN MILLIMETRES UNLESS OTHERWISE SPECIFIED.
  2. ALL CONCRETE TO BE 32 MPa AT 56 DAYS, REBAR TO BE 300 MPa.
  3. CLEAR COVER ON ALL REINFORCING STEEL TO BE 50mm.
  4. ALL CONCRETE TO BE SULFATE RESISTANT TYPE HS ACCORDING TO THE MOST RECENT PUBLICATION OF CSA-A3000 UNLESS OTHERWISE APPROVED BY THE ENGINEER.
  5. COMBINED LENGTH OF CITY AND PRIVATE BRIDGES NOT TO EXCEED 5m FOR CITY INSTALLED PILE.



100mm TO 300mm WATER SERVICE FOR UNSUITABLE FOUNDATION CONDITION (BUILDING REMOVED FROM PROPERTY LINE)

APPROVED APRIL 2021	DRAWN BY C WRIGHT	APPROVED 	DRAWING NUMBER WA-005-010
SCALE NTS	CHECKED BY D MATHEW	DIRECTOR, WATER DISTRIBUTION AND TRANSMISSION	OLD DRAWING NUMBER 2514-11

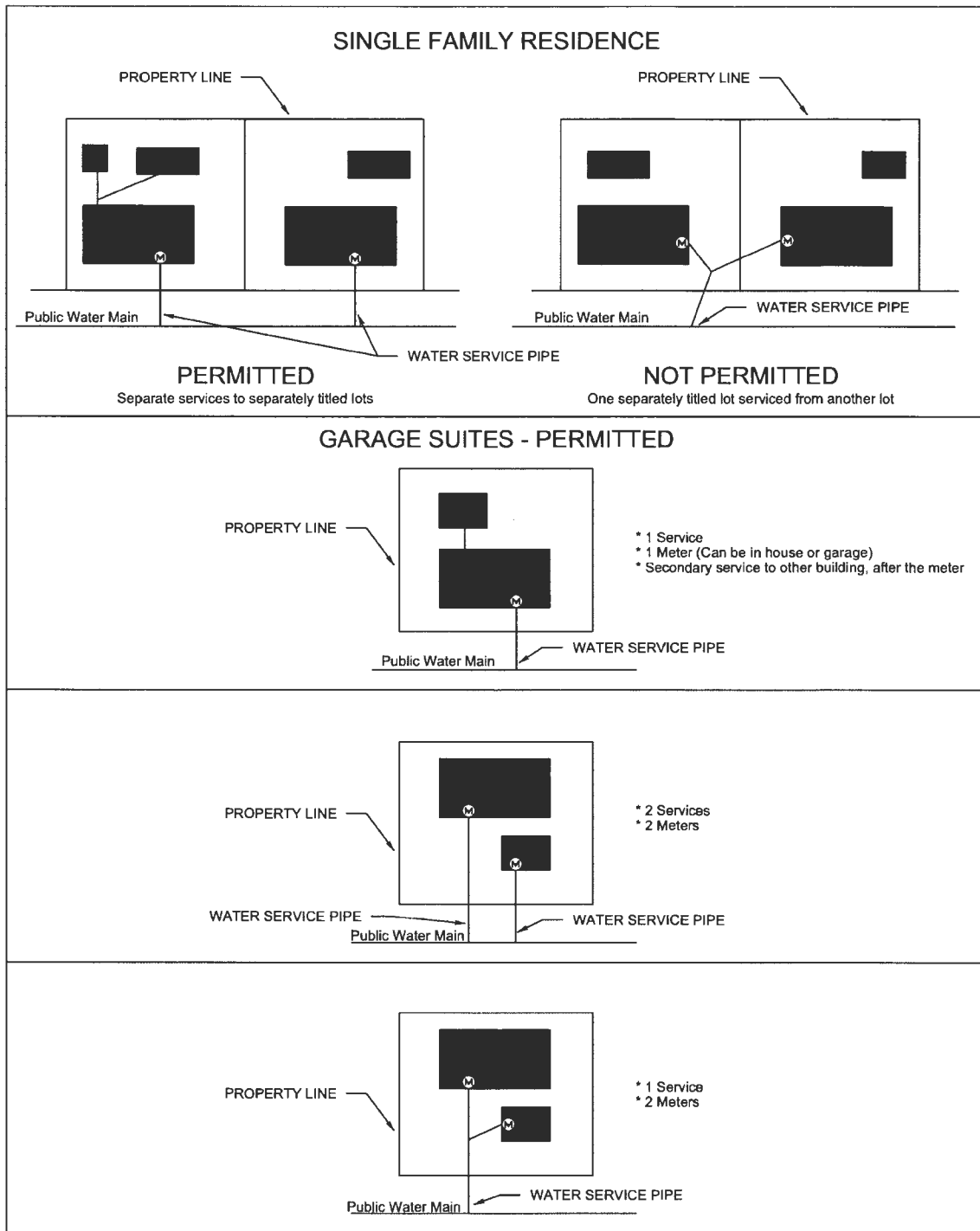


- NOTES:**
1. SEPARATE WATER AND SEWER SERVICES SHALL BE PROVIDED TO EACH SEPARATELY TITLED LAND PARCEL.
  2. SINGLE WATER AND SEWER SERVICES SHALL NORMALLY BE AT THE CENTRE OF THE LOT AND SHALL CROSS THE PROPERTY LINE AT A RIGHT ANGLE ( STRAIGHT OUT).
  3. REFER TO SECTION 5.3.2 FOR THE MINIMUM WATER SERVICE SIZE REQUIREMENTS.



## WATER SERVICING REQUIREMENTS

APPROVED APRIL 2021	DRAWN BY C WRIGHT	APPROVED DIRECTOR, WATER DISTRIBUTION AND TRANSMISSION	DRAWING NUMBER <b>WA-005-11a</b> OLD DRAWING NUMBER 2514-12a
SCALE NTS	CHECKED BY D MATHEW		



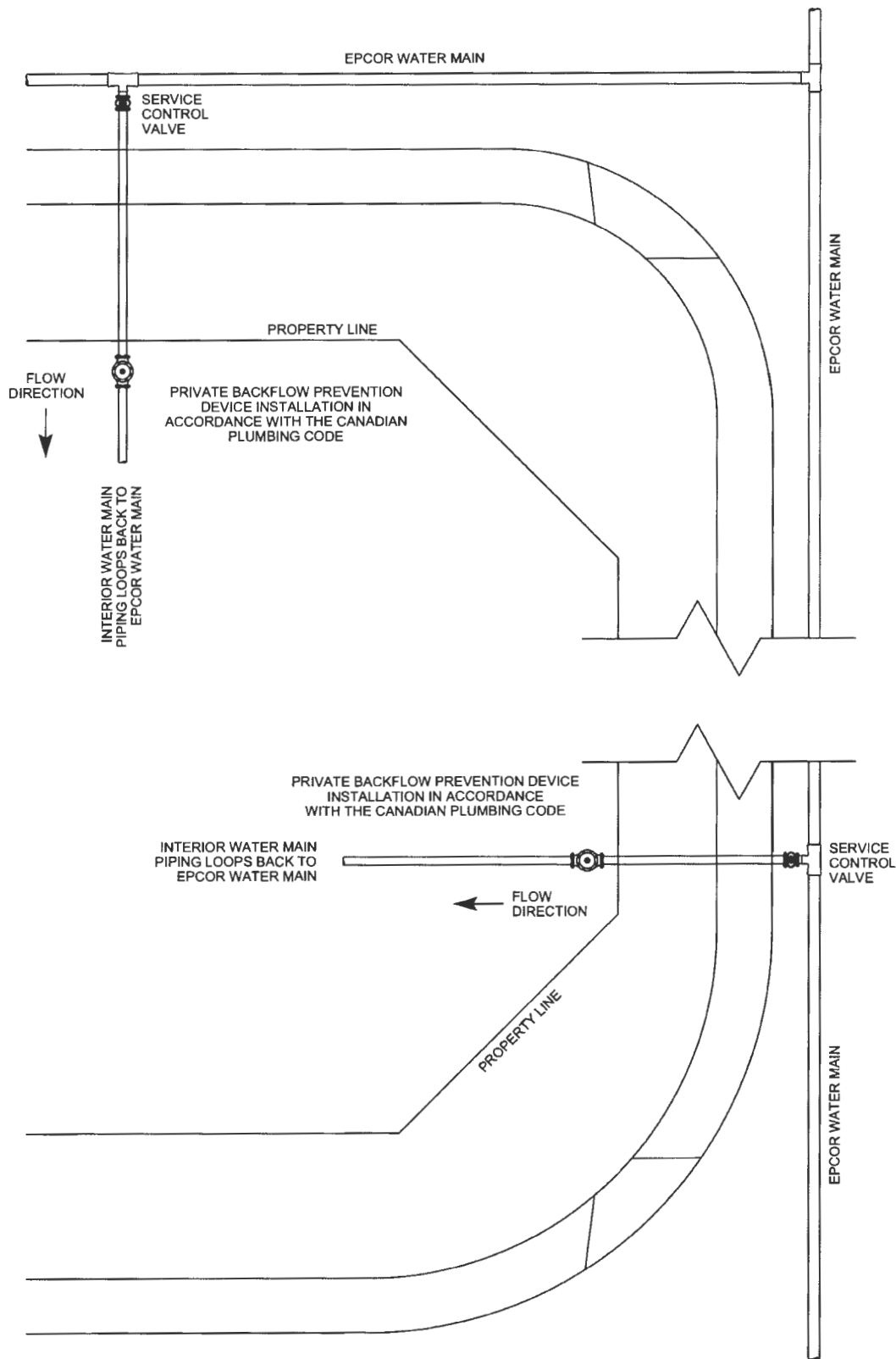
**NOTES:**

1. SEPARATE WATER AND SEWER SERVICES SHALL BE PROVIDED TO EACH SEPARATELY TITLED LAND PARCEL.
2. SINGLE WATER AND SEWER SERVICES SHALL NORMALLY BE AT THE CENTRE OF THE LOT AND SHALL CROSS THE PROPERTY LINE AT A RIGHT ANGLE ( STRAIGHT OUT).
3. REFER TO SECTION 5.3.2 FOR THE MINIMUM WATER SERVICE SIZE REQUIREMENTS.



## WATER SERVICE REQUIREMENTS

APPROVED APRIL 2021	DRAWN BY C WRIGHT	APPROVED  ----- DIRECTOR, WATER DISTRIBUTION AND TRANSMISSION	DRAWING NUMBER <b>WA-005-011b</b>
SCALE NTS	CHECKED BY D MATHEW		OLD DRAWING NUMBER <b>2514-12b</b>



- NOTES:  
 1. A RESTRICTIVE COVENANT MUST BE REGISTERED ON ALL LOTS WITH MULTIPLE SERVICES.  
 2. PRIVATE BACKFLOW PREVENTION DEVICE TO BE INSTALLED AND MAINTAINED BY PROPERTY OWNER.



## BACKFLOW PREVENTION FOR PRIVATE SERVICE LOOPING

APPROVED  
APRIL 2021

SCALE  
NTS

DRAWN BY  
C WRIGHT

CHECKED BY  
D MATHEW

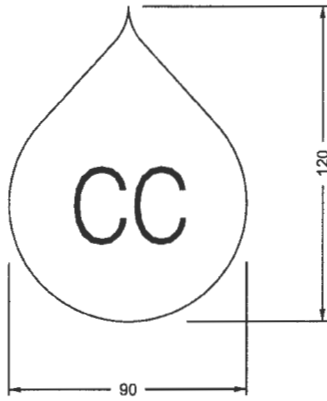
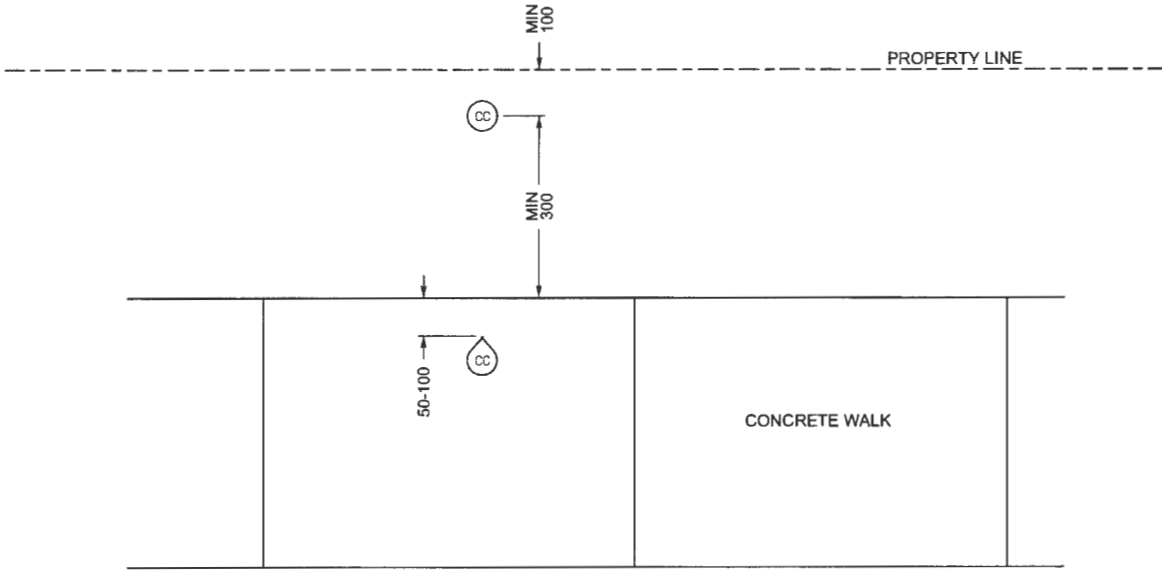
APPROVED

*[Signature]*



DIRECTOR, WATER DISTRIBUTION AND TRANSMISSION

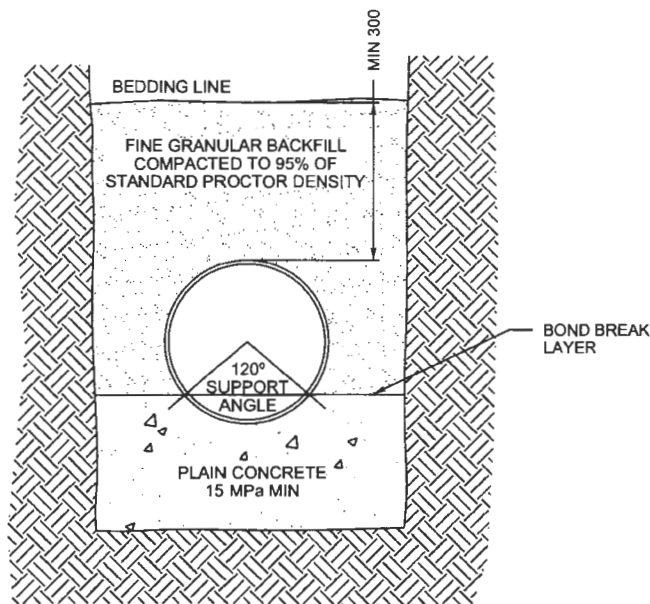
DRAWING NUMBER  
**WA-005-012**

OLD DRAWING NUMBER  
**2514-13**

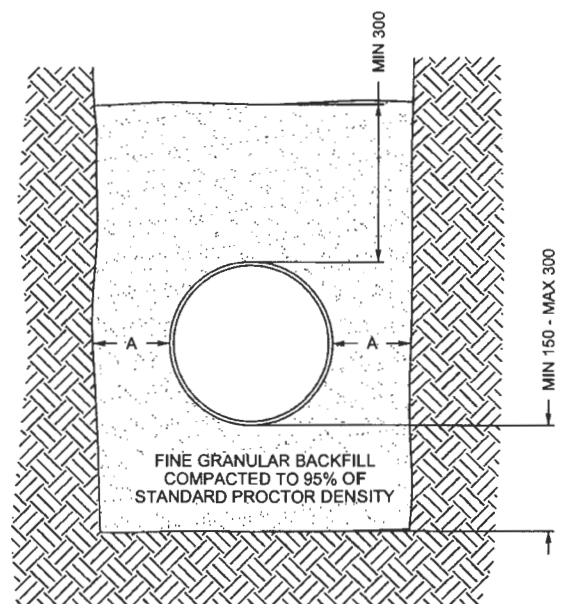


- NOTES:
1. ALL DIMENSIONS ARE IN MILLIMETRES UNLESS OTHERWISE SPECIFIED.
  2. WATER DROP TO BE PLACED 50mm - 100mm FROM EDGE OF WALK.
  3. TIP OF WATER DROP MUST POINT IN THE DIRECTION OF THE CURB COCK LOCATION.

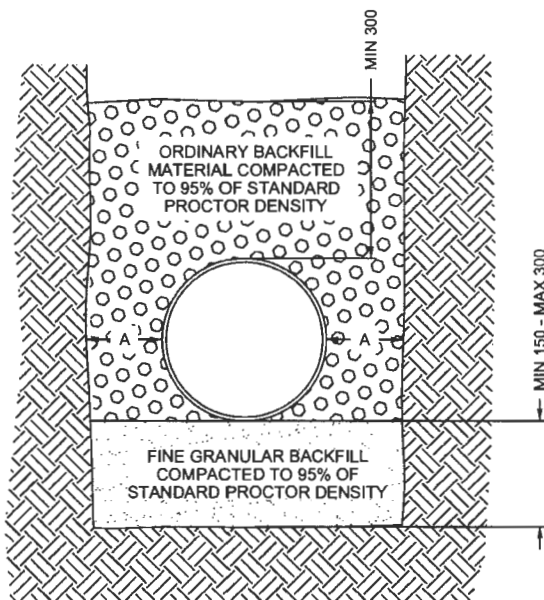
	<b>CURB COCK LOCATION STAMP</b>			DRAWING NUMBER <b>WA-005-013</b>
	APPROVED APRIL 2021	DRAWN BY C WRIGHT	APPROVED 	OLD DRAWING NUMBER -
SCALE NTS	CHECKED BY D MATHEW	DIRECTOR, WATER DISTRIBUTION AND TRANSMISSION		



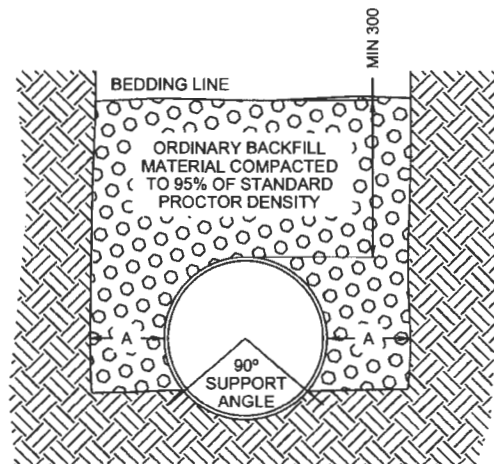
CLASS "A"



CLASS "B"



CLASS "C"




CLASS "D"

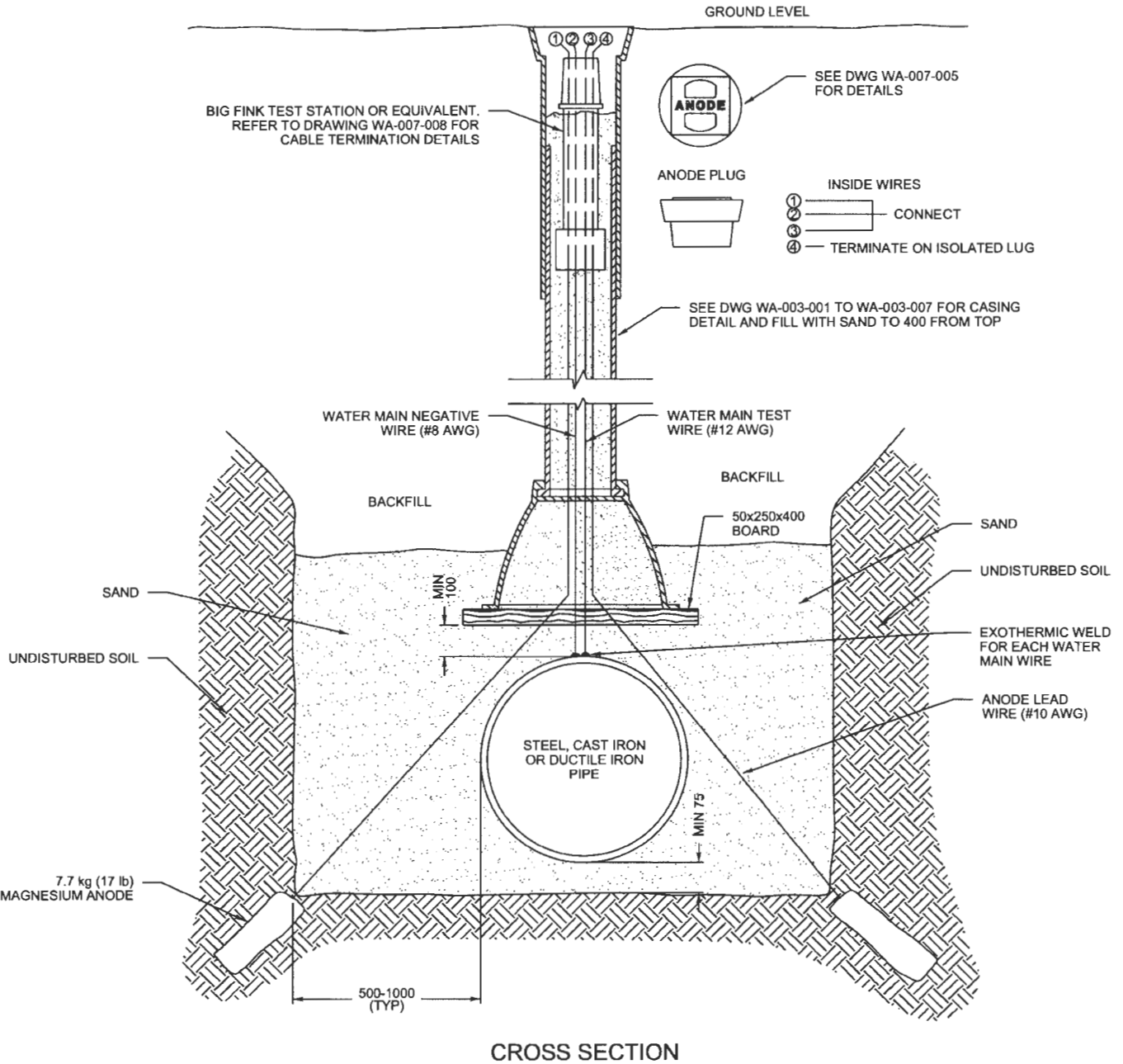
NOTES:

1. ALL DIMENSIONS ARE IN MILLIMETRES UNLESS OTHERWISE NOTED.
2. ALL MATERIAL TO BE PLACED AND COMPACTED IN 150mm LAYERS.
3. WHERE INSTRUCTED OR AS SHOWN ON DRAWINGS, REPLACE FINE GRANULAR MATERIAL WITH COARSE GRANULAR MATERIAL.
4. TRENCH WALL CLEARANCE:  $200 < A < 300$ .
5. IF  $A > 300$  BACKFILL MUST BE COMPACTED TO 100% OF STANDARD PROCTOR DENSITY.
6. APPLICABLE ONLY TO SINGLE PIPE INSTALLATIONS IN TRENCHES EXCAVATED IN UNDISTURBED GROUND.
7. REFER TO CITY OF EDMONTON DESIGN AND CONSTRUCTION STANDARDS VOLUME 4: SECTION 6 PIPE BEDDING AND SECTION 13 CONCRETE REQUIREMENTS.
8. UNLESS OTHERWISE INSTRUCTED, USE CLASS "B" BEDDING WITH FINE GRANULAR MATERIAL.
9. CONCRETE TO BE SULPHATE RESISTANT TYPE HS ACCORDING TO MOST RECENT PUBLICATION OF CSA-A3000 UNLESS OFFICIAL GEOTECHNICAL REPORT ADVISES OTHERWISE.



## STANDARD TRENCH BEDDING FOR CIRCULAR PIPE

APPROVED APRIL 2021	DRAWN BY C WRIGHT	APPROVED 	DRAWING NUMBER <b>WA-006-001</b>
SCALE NTS	CHECKED BY D MATHEW	DIRECTOR, WATER DISTRIBUTION AND TRANSMISSION	OLD DRAWING NUMBER <b>2511-02</b>



CROSS SECTION

- NOTES:
1. ALL DIMENSIONS ARE IN MILLIMETERS UNLESS OTHERWISE SPECIFIED.
  2. NUMBER, SPACING, TYPE AND WEIGHT OF ANODES TO BE DETERMINED BY ENGINEER.
  3. NEW STEEL MAINS - INSTALLATION OF A THIRD ANODE TO BE SET IN TRENCH WITH 3.0m MINIMUM BETWEEN ANODES.
  4. PLACE SAND AROUND THE PIPE IN 150mm LIFTS AND COMPACT TO 95% STANDARD PROCTOR DENSITY.
  5. SEE DRAWING WA-003-014 FOR ANODE PLACEMENT.



# ANODE TEST STATION INSTALLATION

APPROVED  
APRIL 2021

DRAWN BY  
C WRIGHT

CHECKED BY  
T JAMES

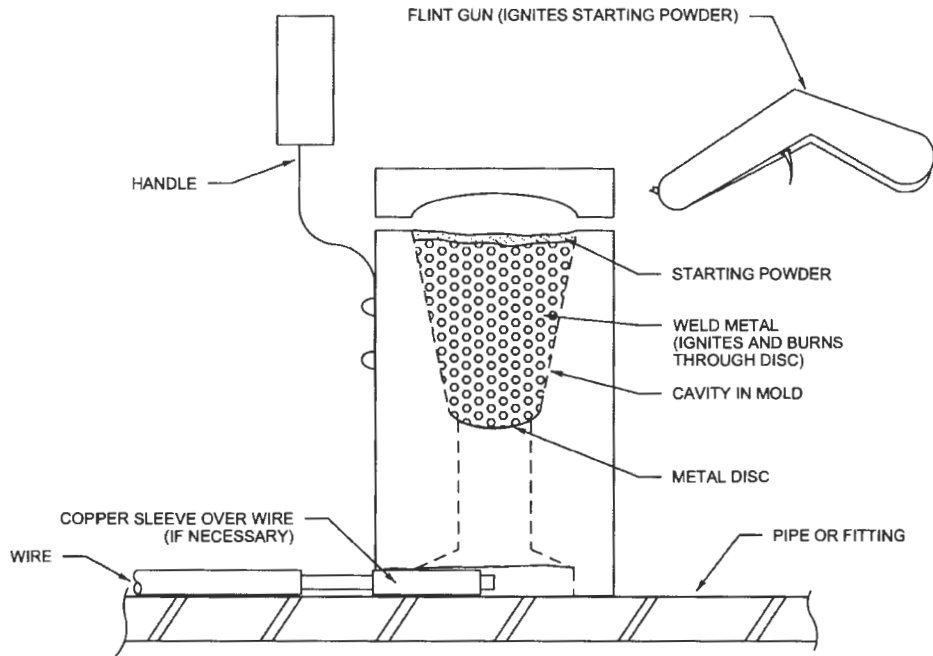
APPROVED



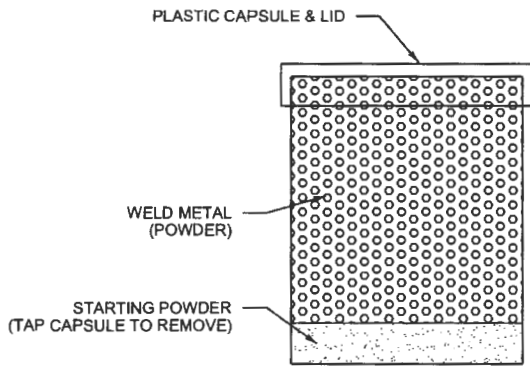
DIRECTOR, WATER DISTRIBUTION AND TRANSMISSION

DRAWING NUMBER  
**WA-007-001**

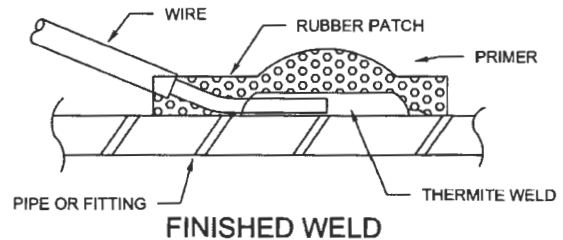
OLD DRAWING NUMBER  
**2516-01**



POSITIONING OF WIRE AND MOLD



WELD METAL CAPSULE



FINISHED WELD

NOTES:

1. ALL DIMENSIONS ARE IN MILLIMETRES UNLESS OTHERWISE SPECIFIED.
2. EXOTHERMIC WELDING SHALL BE PERFORMED TO MANUFACTURER'S SPECIFICATION.
3. COATING REPAIR MATERIAL SHALL BE IN ACCORDANCE WITH SECTION 7.3.3.2 OF THE CITY OF EDMONTON DESIGN AND CONSTRUCTION STANDARDS VOLUME 4 UNLESS OTHERWISE APPROVED BY THE ENGINEER. CONTACT MANUFACTURER FOR INSTALLATION PROCEDURE.



ANODE INSTALLATION - EXOTHERMIC WELDING

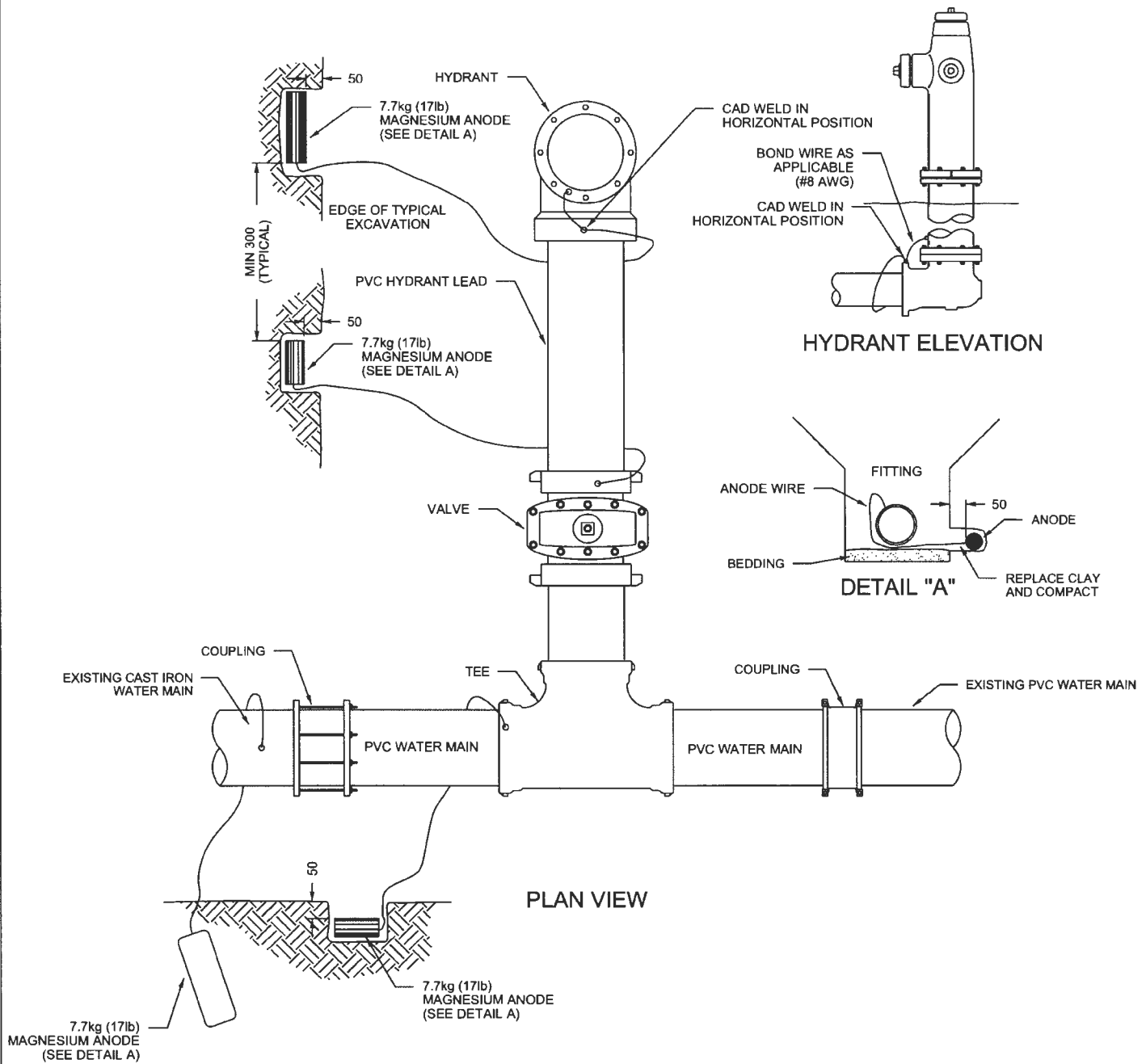
APPROVED  
APRIL 2021  
SCALE  
NTS

DRAWN BY  
C WRIGHT  
CHECKED BY  
T JAMES



APPROVED  
  
DIRECTOR, WATER DISTRIBUTION AND TRANSMISSION

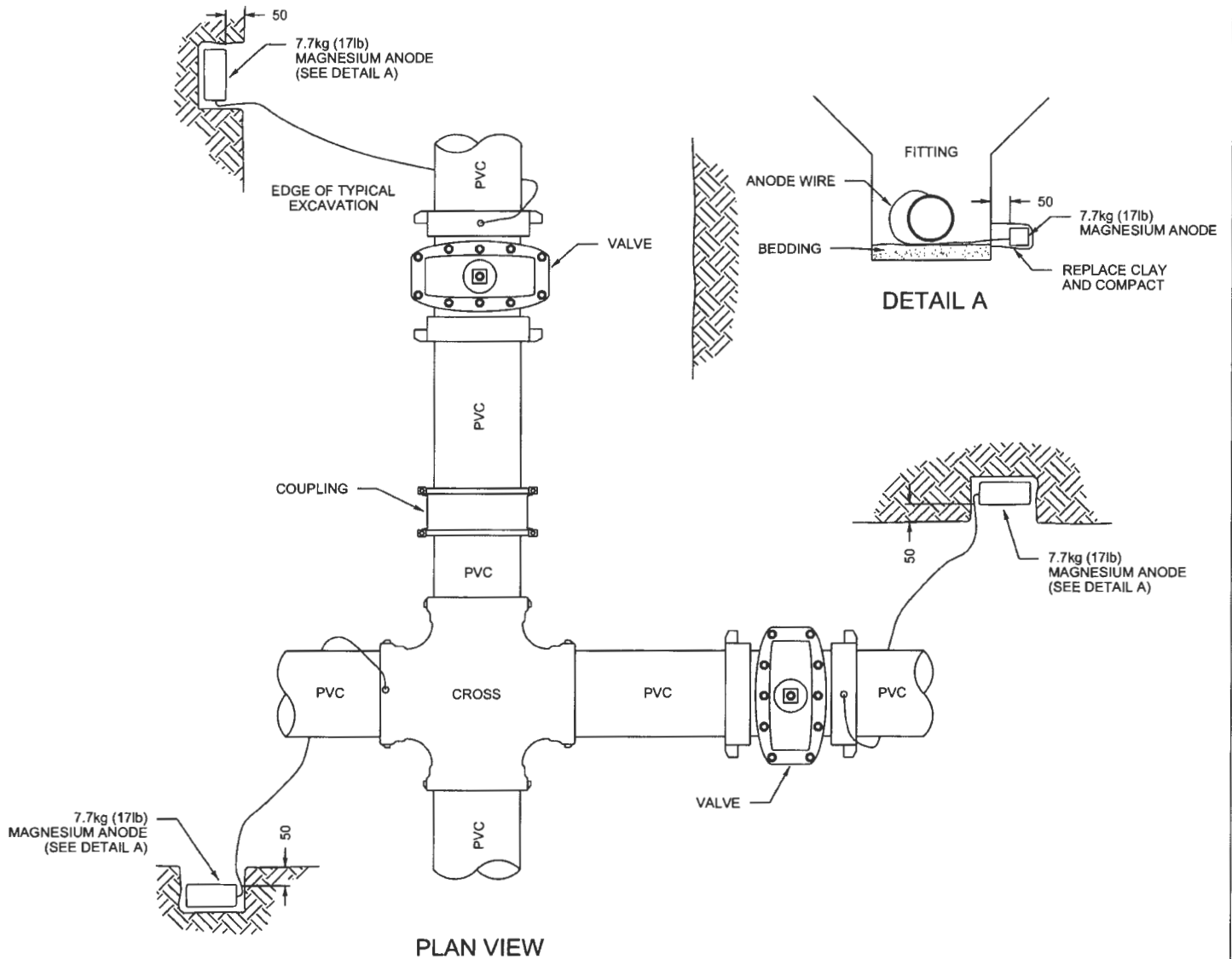
DRAWING NUMBER  
**WA-007-002**  
OLD DRAWING NUMBER  
**2516-02**





- NOTES:
1. ALL DIMENSIONS ARE IN MILLIMETRES UNLESS OTHERWISE SPECIFIED.
  2. MINIMUM DISTANCE FROM ANODE TO PIPE, FITTING, VALVE OR HYDRANT IS 500mm.
  3. INSTALL ANODE AT APPROXIMATE PIPE DEPTH IN NATIVE SOIL.
  4. ALL ANODES ON FITTINGS AND VALVES ARE 7.7kg (17lb) MAGNESIUM ANODES.
  5. ALL ANODES ON HYDRANTS ARE 7.7kg (17lb) MAGNESIUM ANODES.
  6. ANODES TO BE EMBEDDED INTO TRENCH WALL TO PROVIDE FOR A MINIMUM OF 50mm OF NATIVE CLAY COMPLETELY SURROUNDING THE ANODE.
  7. ANODES TO BE AT LEAST 300mm CLEAR OF THRUST BLOCK.

	<h2 style="margin: 0;">ANODE INSTALLATION AT HYDRANT AND CONNECTION TO CAST IRON MAINS</h2>			DRAWING NUMBER <b>WA-007-003</b>
	APPROVED APRIL 2021	DRAWN BY C WRIGHT	APPROVED 	OLD DRAWING NUMBER 2516-03
	SCALE NTS	CHECKED BY T JAMES	DIRECTOR, WATER DISTRIBUTION AND TRANSMISSION	



- NOTES:
1. ALL DIMENSIONS ARE IN MILLIMETRES UNLESS OTHERWISE SPECIFIED.
  2. MINIMUM DISTANCE FROM ANODE TO PIPE, FITTING, VALVE OR HYDRANT IS 500mm.
  3. INSTALL ANODE AT APPROXIMATELY PIPE DEPTH IN NATIVE SOIL.
  4. ALL ANODES ON FITTINGS AND VALVES ARE 7.7kg (17lb) MAGNESIUM ANODE.
  5. ANODES TO BE EMBEDDED INTO TRENCH WALL TO PROVIDE FOR A MINIMUM OF 50mm OF NATIVE CLAY COMPLETELY SURROUNDING THE ANODE.
  6. ANODES TO BE AT LEAST 300mm CLEAR OF THRUST BLOCK.

## TYPICAL ANODE INSTALLATION FOR IRON FITTINGS USED WITH PVC WATER MAINS

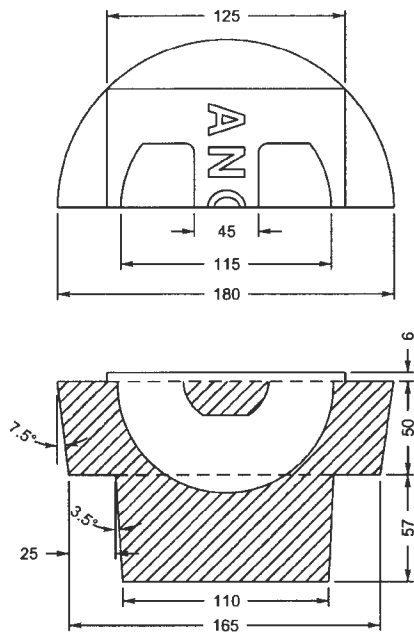


APPROVED  
APRIL 2021  
SCALE  
NTS

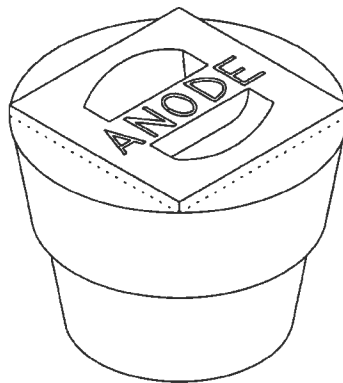
DRAWN BY  
C WRIGHT  
CHECKED BY  
T JAMES

APPROVED  
*[Signature]*  
DIRECTOR, WATER DISTRIBUTION AND TRANSMISSION

DRAWING NUMBER  
**WA-007-004**  
OLD DRAWING NUMBER  
**2516-04**



ANODE WIRE CASING PLUG



DESIGN SPECIFICATIONS

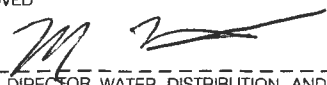
1. TOLERANCES OF  $\pm 3$ mm ALLOWED FOR CASTING DIMENSIONS OF 25mm OR LESS.
2. TOLERANCES OF  $\pm 6$ mm ALLOWED FOR CASTING DIMENSIONS IN EXCESS OF 25mm.
3. ALL PLUGS TO BE DUCTILE IRON TO ASTM 536 GRADE 60-40-18.

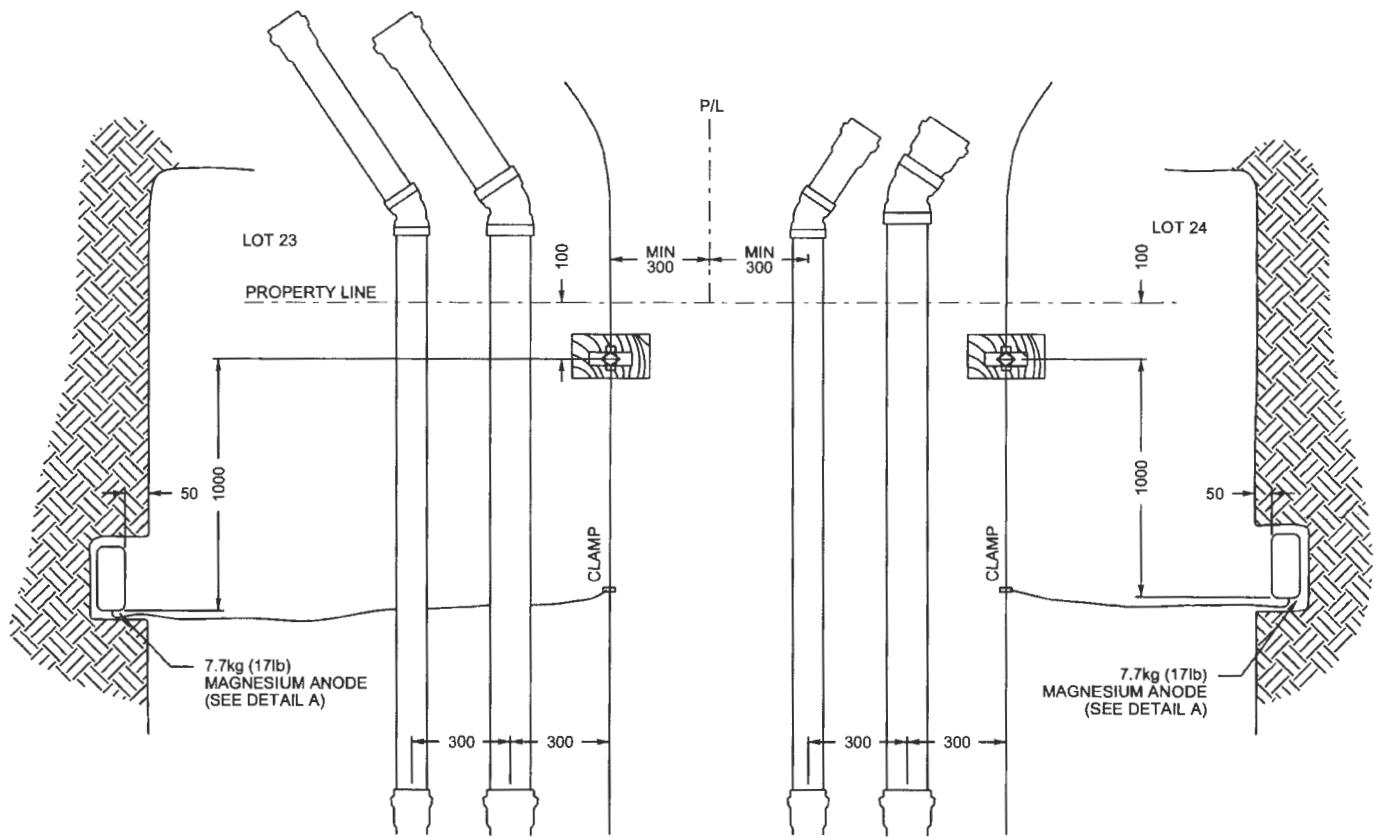
NOTES:

1. ALL DIMENSIONS ARE IN MILLIMETRES UNLESS OTHERWISE SPECIFIED.
2. SEE DRAWINGS WA-003-001 TO WA-003-007 FOR VALVE CASING DETAILS FOR USE AS ANODE WIRE CASING.

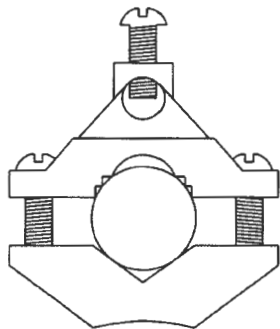


TEST STATION PLUG DETAIL

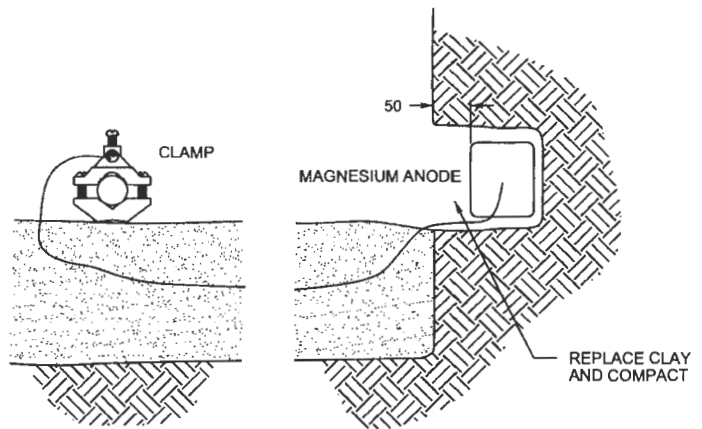
APPROVED APRIL 2021	DRAWN BY C WRIGHT	APPROVED 	DRAWING NUMBER <b>WA-007-005</b>
SCALE NTS	CHECKED BY T JAMES	DIRECTOR, WATER DISTRIBUTION AND TRANSMISSION	OLD DRAWING NUMBER <b>2516-05</b>



PLAN VIEW



TYPICAL PIPE CLAMP



DETAIL A

- NOTES:
1. ALL DIMENSIONS ARE IN MILLIMETRES UNLESS OTHERWISE SPECIFIED.
  2. PIPE CLAMP TO BE ALL BRASS OR APPROVED EQUIVALENT.
  3. ANODES TO BE EMBOSSED INTO TRENCH WALL TO PROVIDE FOR A MINIMUM OF 50mm OF NATIVE CLAY COMPACTED COMPLETELY AROUND ANODES.

## ANODE ON 50mm AND SMALLER COPPER WATER SERVICE



APPROVED  
APRIL 2021

DRAWN BY  
C WRIGHT

APPROVED

DIRECTOR, WATER DISTRIBUTION AND TRANSMISSION

DRAWING NUMBER  
**WA-007-006**

OLD DRAWING NUMBER  
**2516-06**

SCALE  
NTS

CHECKED BY  
T JAMES



# CATHODIC PROTECTION EXOTHERMIC WELDING COMPONENTS

APPROVED  
APRIL 2021

DRAWN BY  
C WRIGHT

APPROVED

DRAWING NUMBER  
**WA-007-007**

SCALE  
NTS

CHECKED BY  
T JAMES

-----  
DIRECTOR, WATER DISTRIBUTION AND TRANSMISSION

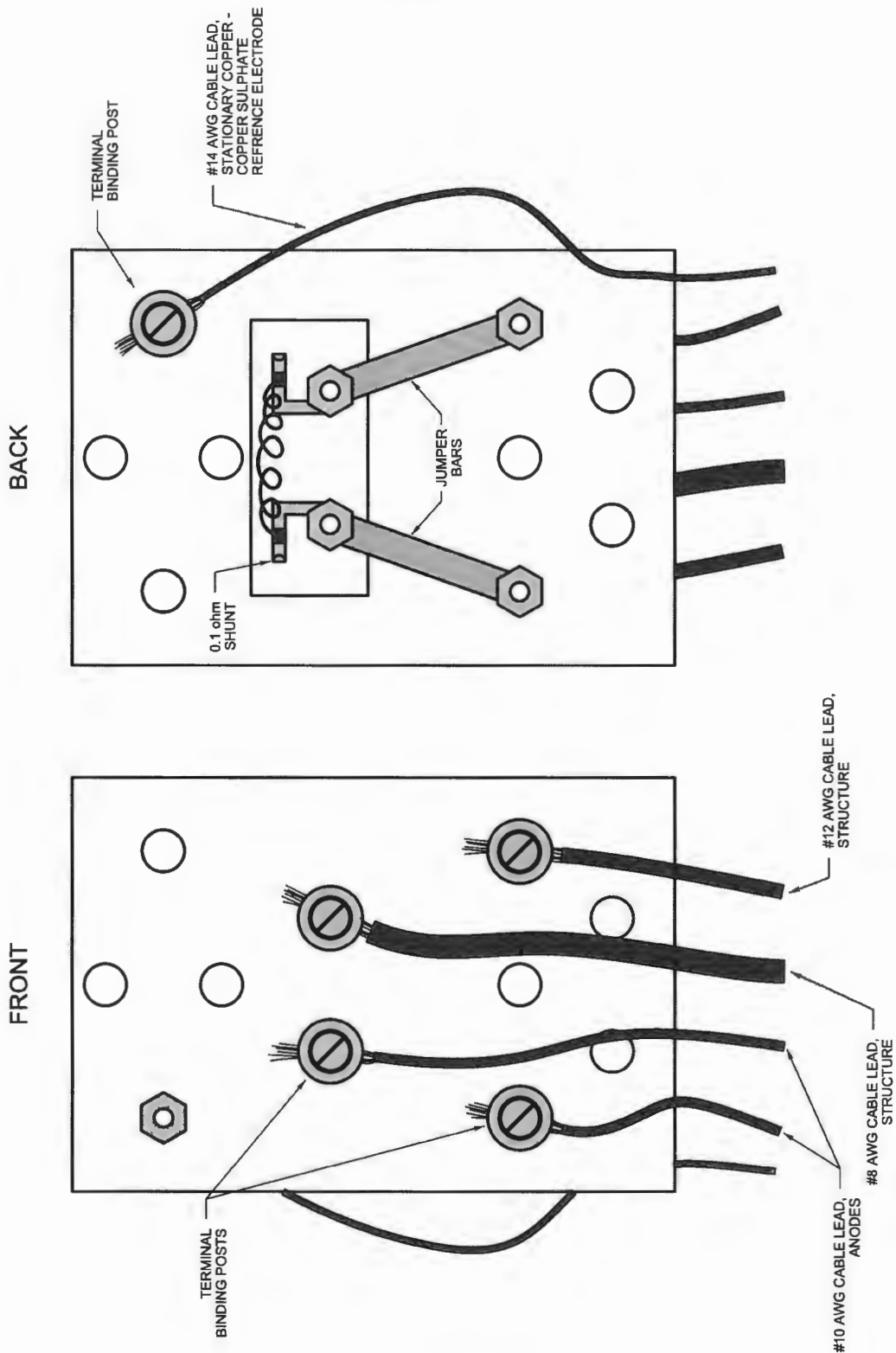
OLD DRAWING NUMBER  
**2516-07**

CONNECTION TYPE	WIRE (AWG) SPECIFICATION	CADWELD			THERMOWELD		
		MOLD	CARTRIDGE	SLEEVE	MOLD	CARTRIDGE	SLEEVE
WATER MAIN WIRE TO STEEL MAIN	# 12 STR # 6 STR *** # 8 STR ***	CAHA - 1H CAHAA - 1H CAHAA - 1G	CA15 CA15 CA15	CAB - 133 - 1H	M - 102 M - 102 M - 100	15CP 15CP 15CP	38-0200-00 - -
WATER MAIN WIRE TO CAST IRON FITTING**	# 12 STR # 6 STR*** # 8 STR***	CAHBA - 1H - X ** CAHBA - 1H - X ** CAHBA - 1G - X **	CA32XF - 19 CA32XF - 19 CA32XF - 19	CAB - 133 - 1H	M - 157 - X ** M - 157 - X ** M - 156 - X **	25CI 25CI 25CI	38-0200-00
SPLICING WATER MAIN WIRES SPLICING WATER MAIN OR LEAD WIRES	# 12 STR TO # 12 STR # 6 STR TO # 6 STR	CASST - 1H OR CASST - 1G CASST - 1H	CA25 CA25	CAB - 133 - 1H	M - 8229 M - 8229	25 25	38-0200-00
ANODE WIRE TO CAST IRON FITTING	# 10 SOL * # 10 STR	CAHBA - 1H - X ** CAHBA - 1K - X **	CA25XF - 19 CA45XF - 19	CAB - 133 - 1H CAB - 133 - 1K	M - 157 - X ** M - 156 - X **	25CI 45CI	38-0200-00 38-0208-00
ANODE WIRE TO HEADER CABLE ***	# 10 STR TO # 6 STR	CAPCT - 1L1H	CA32	CAB - 133 - 1L	SPECIAL ORDER		38-0200-00
LEAD WIRE TO HEADER CABLE ***	# 6 STR TO # 6 STR	CAPCT - 1H1H	CA25		M - 8261	25	-
SPLICING ANODE WIRES	# 10 SOL TO # 10 SOL # 10 STR TO # 10 STR	CASST - 1A CASST - 1K	CA15 CA25	CAB - 133 - 1K	M - 8225 - S M - 8225	15 15	38-0200-00 38-0208-00
JUMPER CABLE TO STEEL MAIN	# 6 STR # 8 STR	CAHAA - 1H CAHAA - 1G	CA15 CA15		M - 102 M - 100	15CP 15CP	- -
JUMPER CABLE TO HYDRANT BARREL (H) JUMPER CABLE TO HYDRANT BARREL (V)	# 6 STR # 6 STR	CAHBA - 1H - 6 CAVHT - 1H - 6	CA25XF - 19 CA25XF - 19		M - 157 - 6 M - 2594	25CI 25CI	- -

\*\* - DENOTES PRE - 1994 WIRE SPECIFICATION  
\* - WHERE X = NOMINAL PIPE SIZE IN INCHES  
\*\*\* - USE ONLY WHEN SPECIFIED ON DRAWINGS  
SOL - SOLID CONDUCTOR  
STR - STRANDED CONDUCTOR  
(H) - WELDING TO HORIZONTAL BARREL  
(V) - WELDING TO VERTICAL BARREL

CONNECTION TYPE	WIRE (AWG) SPECIFICATION	CRIMP CONNECTION			SERVIT OR SPLIT BOLT CONNECTION		
		T&B PART NO. (COLOUR)	BURNDY PART NO. (COLOUR)	BURNDY PART NO. (COLOUR)	T&B PART NO. (COLOUR)	BURNDY PART NO. (COLOUR)	BURNDY PART NO. (COLOUR)
SPLICING WATER MAIN WIRES	# 12 STR TO # 12 STR	2RC10 OR EQUIVALENT	YSE10HN OR EQUIVALENT		9H		N/A
SPLICING WATER MAIN OR LEAD WIRES	# 6 STR TO # 6 STR	54720 (BROWN)	YC4L12 (BROWN)		3H3		KS17
SPLICING ANODE WIRE TO HEADER CABLE***	# 10 STR TO # 6 STR	54715 (GRAY)	YC6L12 (GRAY)		4H		KS17
SPLICING LEAD WIRE TO HEADER CABLE***	# 6 STR TO # 6 STR	54720 (BROWN)	YC4L12 (BROWN)		3H3		KS17
SPLICING ANODE WIRES	# 10 SOL TO # 10 SOL # 10 STR TO # 10 STR	54710 (BLUE)	YC8L12 (BLUE)		9H		KS15

- NOTES:
- CONTACT THERMOWELD AT 918 - 663 - 1440 FOR FURTHER INFORMATION.
  - CONTACT ERICO/CADWELD AT 800 - 670 - 9089 FOR FURTHER INFORMATION.
  - CATALOG REFERENCE - THERMOWELD, TW 1/93 AND CATHODIC PROTECTION FLYER.
  - CATALOG REFERENCE - CADWELD, CA - 1A.
  - DO NOT MIX CADWELD AND THERMOWELD PRODUCTS.
  - USE TOOLS SUCH AS PIPE CLAMPS, PACKING, ETC. WHEN RECOMMENDED BY MANUFACTURER.
  - REFER TO SECTION 7.3.5 OF THE CITY OF EDMONTON DESIGN AND CONSTRUCTION STANDARDS VOLUME 4 FOR ALTERNATIVE OPTIONS TO SPLICE CABLES TOGETHER.



NOTES:

1. SOLDERED CONNECTIONS TO BE MADE WITH 60% TIN/LEAD RESIN CORE SOLDER.
2. WRAP ALL CONNECTIONS WITH ELECTRICAL TAPE.
3. ALWAYS RECONNECT ANODE AND WATER MAIN WIRE(S) AFTER TAKING CURRENT MEASUREMENTS.



## CATHODIC PROTECTION - TEST STATION

APPROVED  
APRIL 2021

SCALE  
NTS

DRAWN BY  
C WRIGHT

CHECKED BY  
T JAMES

APPROVED

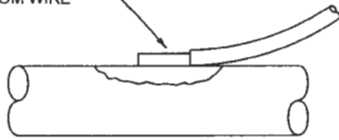
*M. Z.*

-----  
DIRECTOR, WATER DISTRIBUTION AND TRANSMISSION

DRAWING NUMBER  
**WA-007-008**

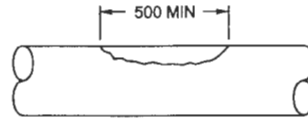
OLD DRAWING NUMBER  
**2516-08**

STRIP INSULATION FROM WIRE

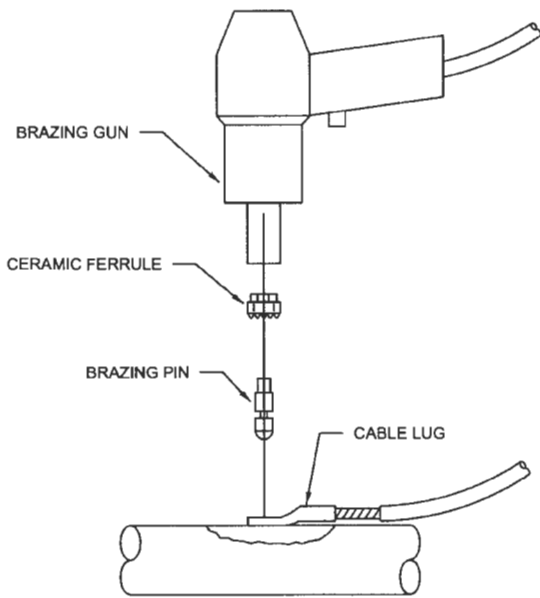


PREPARATION OF WIRE AND CABLES

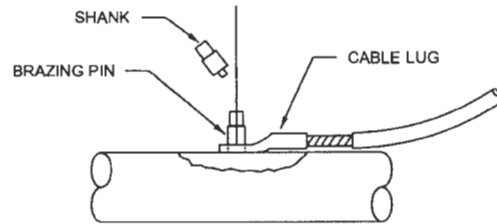
REMOVE PIPELINE COATING - FILE OR BUFF PIPE TO BRIGHT METAL AND DRY ANY MOISTURE WITH A TOWEL



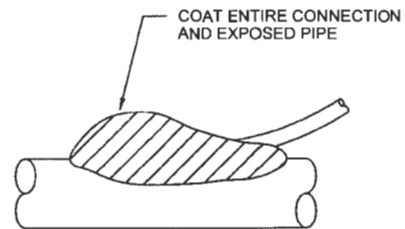
PREPARATION OF PIPE SURFACE



APPLICATION OF PIN BRAZE



REMOVAL OF SHANK  
(IF THREADED STUD NOT USED)




FINISHED WELD

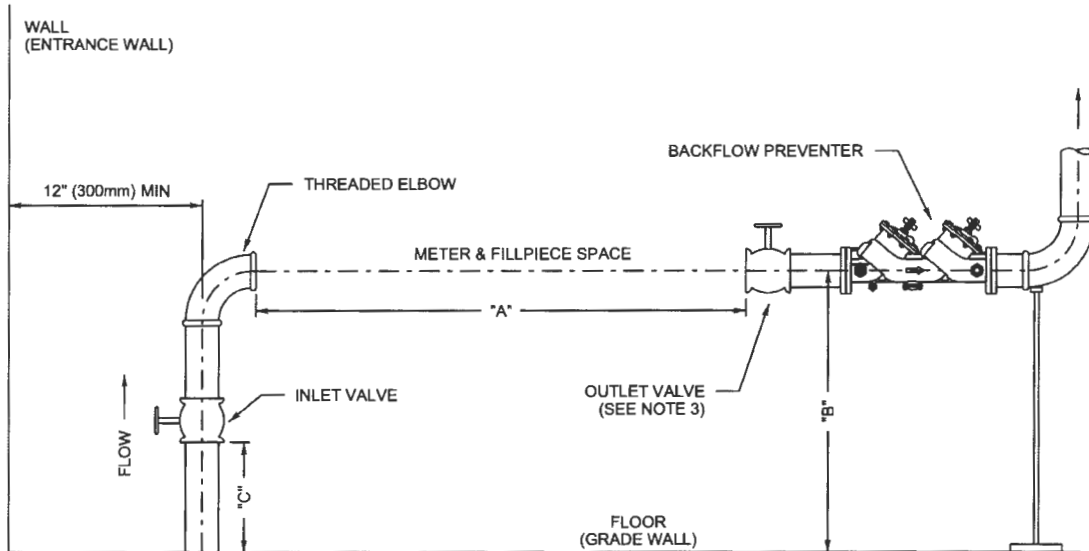
NOTES:

1. ALL DIMENSIONS ARE IN MILLIMETRES UNLESS OTHERWISE SPECIFIED.
2. PIN BRAZING SHALL BE PERFORMED TO THE MANUFACTURER'S SPECIFICATION.
3. COATING REPAIR MATERIAL SHALL BE IN ACCORDANCE WITH SECTION 7.3.3.2 OF THE CITY OF EDMONTON DESIGN AND CONSTRUCTION STANDARDS VOLUME 4 UNLESS OTHERWISE APPROVED BY THE ENGINEER. CONTACT MANUFACTURER FOR INSTALLATION PROCEDURE.



## ANODE INSTALLATION - PIN BRAZING

APPROVED APRIL 2021	DRAWN BY C WRIGHT	APPROVED 	DRAWING NUMBER <b>WA-007-009</b>
SCALE NTS	CHECKED BY T JAMES	DIRECTOR, WATER DISTRIBUTION AND TRANSMISSION	OLD DRAWING NUMBER <b>2516-09</b>



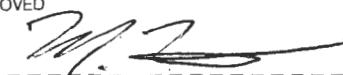
PIPE SIZE	" A "	" B " Max.	" B " Min.	" C " Min.
$\frac{3}{8}$ " (16mm)	11 $\frac{1}{2}$ "-12" (292-305mm)	36" (900mm)	24" (600mm)	18" (450mm)
$\frac{1}{2}$ " (20mm)	13 $\frac{1}{2}$ "-14" (343-356mm)	36" (900mm)	24" (600mm)	18" (450mm)
1" (25mm)	15 $\frac{1}{2}$ "-16" (394-406mm)	36" (900mm)	24" (600mm)	18" (450mm)
1 $\frac{1}{2}$ " (40mm)	30" (762mm)	24" (610mm)	18" (450mm)	12" (300mm)

**NOTES:**

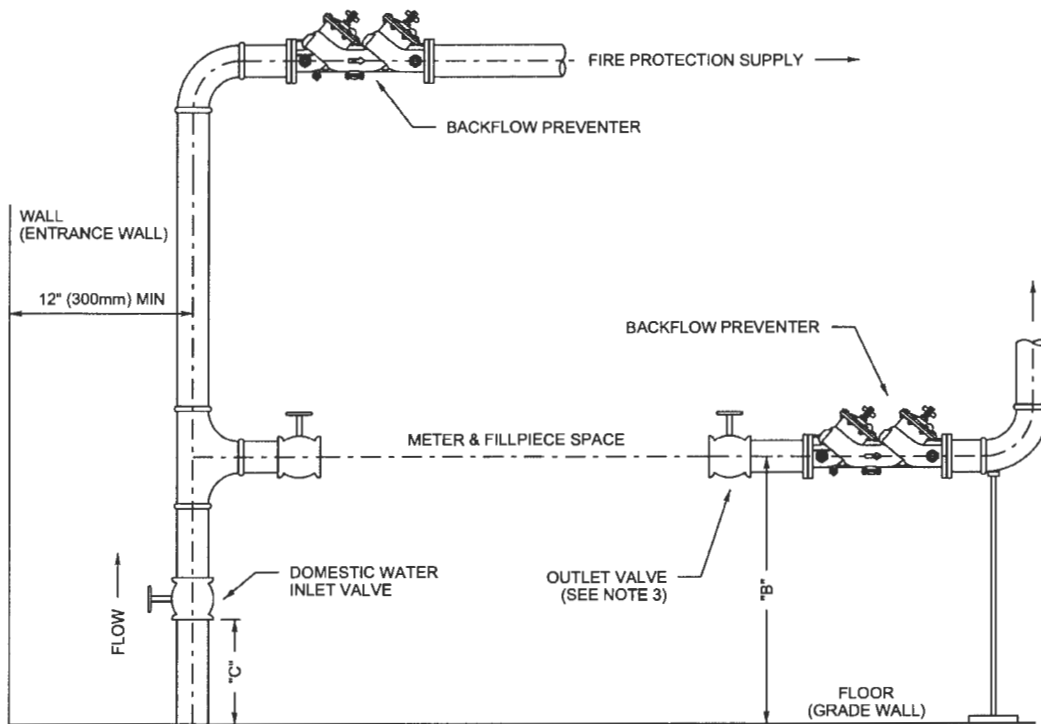
- METER SETTINGS CONSTRUCTED USING PLASTIC PIPING SHALL HAVE ADEQUATE ANCHORING ON EACH SIDE OF THE METER CAPABLE OF KEEPING THE PIPE IN ALIGNMENT AND SUPPORTING THE WEIGHT OF THE METER, PIPE AND ALL OTHER COMPONENTS.
- MINIMUM DISTANCE OF CENTERLINE OF PIPING ADJACENT TO METER SETTING TO BE 12" (300mm) FROM ANY ENTRANCE, WALL OR GRADE WALL. MINIMUM 3' (1000mm) WITH NO OBSTRUCTION IN FRONT OF METER.
- VALVE IS REQUIRED ON OUTLET SIDE OF METER SETTING ON PIPING 1" (25mm) AND OVER. VALVE OPTIONAL ON PIPING UNDER 1" (25mm).
- PIPING FOR "A" MUST BE IN A HORIZONTAL PLANE.
- VALVES OR FITTINGS ON SIDES CONNECTING TO METER MUST BE FEMALE THREADED IN  $\frac{1}{2}$ " (13mm) FOR  $\frac{3}{8}$ " (16mm) METER;  $\frac{1}{2}$ " (20mm) FOR  $\frac{1}{2}$ " (20mm) METER; AND 1" (25mm) FOR 1" (25mm) METERS. IF 1" (32mm) PIPING IS USED, SPACING AND FITTINGS FOR A 1" (40mm) PIPE MUST BE PROVIDED.
- BUILDINGS WITH MORE THAN ONE METER MUST HAVE A METAL OR PLASTIC TAG SECURELY ATTACHED TO THE CONTROL VALVE HANDLE OF THE METER IT SERVES. THE TAG MUST HAVE THE SERVICE ADDRESS ENGRAVED ON IT IN LETTERS OR NUMBERS AT LEAST 5mm (  $\frac{1}{8}$  ") IN HEIGHT. LAWN SERVICES MUST ALSO BE IDENTIFIED WITH TAGS.
- PREMISES ISOLATION OF THE WATER SUPPLY (FIRE, DOMESTIC, IRRIGATION, OTHER) IS MANDATORY FOR ALL COMMERCIAL, INDUSTRIAL, AND MULTI-RESIDENTIAL BUILDINGS. APPROVED ASSEMBLIES MUST BE SELECTED, INSTALLED, AND TESTED AS PER CSA B64.10.
- OUTFLOW AND INFLOW SIDES OF METER SETTING TO BE ADEQUATELY SUPPORTED.

## SPECIFICATION FOR METER SETTINGS WITHOUT FIRE PROTECTION SYSTEM



APPROVED APRIL 2021	DRAWN BY C WRIGHT	APPROVED  DIRECTOR, WATER DISTRIBUTION AND TRANSMISSION	DRAWING NUMBER <b>WA-012-001</b>
SCALE NTS	CHECKED BY D MATHEW		OLD DRAWING NUMBER <b>2520-01</b>



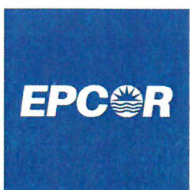


PIPE SIZE	" A "	" B " Max.	" B " Min.	" C " Min.
5/8" (16mm)	11 1/2"-12" (292-305mm)	36" (900mm)	24" (600mm)	18" (450mm)
3/4" (20mm)	13 1/2"-14" (343-356mm)	36" (900mm)	24" (600mm)	18" (450mm)
1" (25mm)	15 1/2"-16" (394-406mm)	36" (900mm)	24" (600mm)	18" (450mm)
1 1/2" (40mm)	30" (762mm)	24" (610mm)	18" (450mm)	12" (300mm)

**NOTES:**

- METER SETTINGS CONSTRUCTED USING PLASTIC PIPING SHALL HAVE ADEQUATE ANCHORING ON EACH SIDE OF THE METER CAPABLE OF KEEPING THE PIPE IN ALIGNMENT AND SUPPORTING THE WEIGHT OF THE METER, PIPE AND ALL OTHER COMPONENTS.
- MINIMUM DISTANCE OF CENTERLINE OF PIPING ADJACENT TO METER SETTING TO BE 12" (300mm) FROM ANY ENTRANCE, WALL OR GRADE WALL. MINIMUM 3' (1000mm) WITH NO OBSTRUCTION IN FRONT OF METER.
- VALVE IS REQUIRED ON OUTLET SIDE OF METER SETTING ON PIPING 1" (25mm) AND OVER. VALVE OPTIONAL ON PIPING UNDER 1" (25mm).
- PIPING FOR "A" MUST BE IN A HORIZONTAL PLANE.
- VALVES OR FITTINGS ON SIDES CONNECTING TO METER MUST BE FEMALE THREADED IN " (13mm) FOR " (16mm) METER; " (20mm) FOR " (20mm) METER; AND 1" (25mm) FOR 1" (25mm) METERS. IF 1" (32mm) PIPING IS USED, SPACING AND FITTINGS FOR A 1" (40mm) PIPE MUST BE PROVIDED.
- CONTACT EPCOR WATER SERVICES INC. AT 780-412-4500 PRIOR TO INSTALLATION OF A SYSTEM WHICH WILL METER BOTH FIRE SUPPLY AND DOMESTIC SUPPLY LINES.
- BUILDINGS WITH MORE THAN ONE METER MUST HAVE A METAL OR PLASTIC TAG SECURELY ATTACHED TO THE CONTROL VALVE HANDLE OF THE METER IT SERVES. THE TAG MUST HAVE THE SERVICE ADDRESS ENGRAVED ON IT IN LETTERS OR NUMBERS AT LEAST 5mm (") IN HEIGHT. LAWN SERVICES MUST ALSO BE IDENTIFIED WITH TAGS.
- PREMISES ISOLATION OF THE WATER SUPPLY (FIRE, DOMESTIC, IRRIGATION, OTHER) IS MANDATORY FOR ALL COMMERCIAL, INDUSTRIAL, AND MULTI-RESIDENTIAL BUILDINGS. APPROVED ASSEMBLIES MUST BE SELECTED, INSTALLED, AND TESTED AS PER CSA B64.10.
- OUTFLOW AND INFLOW SIDES OF METER SETTING TO BE ADEQUATELY SUPPORTED.

## SPECIFICATIONS FOR METER SETTINGS WITH FIRE PROTECTION SYSTEM

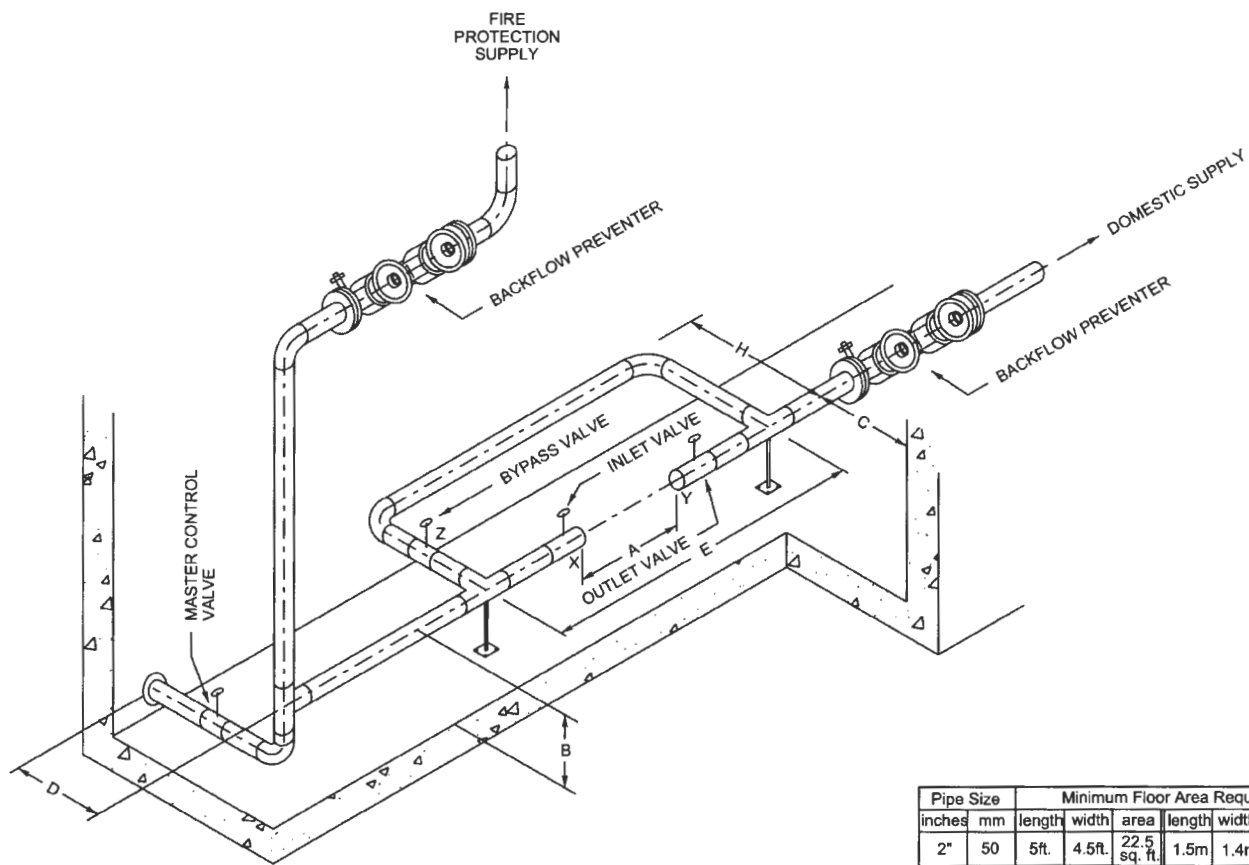


APPROVED  
APRIL 2021  
SCALE  
NTS

DRAWN BY  
C WRIGHT  
CHECKED BY  
D MATHEW

APPROVED  
*M. Wright*  
DIRECTOR, WATER DISTRIBUTION AND TRANSMISSION

DRAWING NUMBER  
**WA-012-002**  
OLD DRAWING NUMBER  
**2520-02**



Pipe Size		Minimum Floor Area Required					
inches	mm	length	width	area	length	width	area
2"	50	5ft.	4.5ft.	22.5 sq. ft.	1.5m	1.4m	2.1 sq. m.
3"	75	7ft.	4.5ft.	31.5 sq. ft.	2.1m	1.4m	2.9 sq. m.
4"	100	7ft.	4.5ft.	31.5 sq. ft.	2.1m	1.4m	2.9 sq. m.
6"	150	8ft.	4.5ft.	36.0 sq. ft.	2.4m	1.4m	3.4 sq. m.

Pipe Size		A				B				C		D		E		H	
inches	mm	in.	mm	in.	mm	in.	mm	in.	mm	in.	mm	in.	mm	in.	mm	in.	mm
2"	50	36	900	15	375	18	450	36	900	18	450	48	1200	15	375		
3"	75	42	1050	15	375	18	450	36	900	18	450	54	1350	15	375		
4"	100	42	1050	15	375	18	450	36	900	18	450	60	1525	15	375		
6"	150	48	1200	18	450	18	450	36	900	18	450	66	1675	15	375		

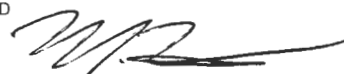
- NOTES:
- METER SETTINGS CONSTRUCTED USING PLASTIC PIPING SHALL HAVE ADEQUATE ANCHORING ON EACH SIDE OF THE METER CAPABLE OF KEEPING THE PIPE IN ALIGNMENT AND SUPPORTING THE WEIGHT OF THE METER, PIPE AND ALL OTHER COMPONENTS.
  - VALVE X & Y MUST BE FEMALE THREADED OR FLANGED AND CANNOT BE BUTTERFLY VALVES.
  - PIPE SIZES FROM " (16mm) TO 2" (62.5mm) TO BE THREADED. PIPE SIZES 3" (75mm) AND LARGER TO BE FLANGED.
  - VALVE Z MAY BE LOCATED AT ANY POINT ON THE BYPASS, PROVIDED THAT IT IS ALWAYS WITHIN THE 66" (1675mm) MAXIMUM DISTANCE FROM THE FLOOR.
  - THE MAIN PIPE ALIGNMENT MUST BE A MINIMUM 18" (450mm) FROM ANY WALL, PARTITION, FIXTURE, OR OTHER PIPING.
  - THE SPACE ABOVE FLOOR AREA C X E MUST BE FREE FROM OBSTRUCTIONS TO A HEIGHT OF 78" (1980mm).
  - ALL COMBINED DOMESTIC AND FIRE PROTECTION SUPPLY SERVICES MUST HAVE A MASTER CONTROL VALVE BEFORE DOMESTIC SUPPLY TAKE - OFF. NO OTHER VALVE TO CONTROL FIRE PROTECTION SUPPLY EXCEPT BACKFLOW PREVENTER.
  - WATER SERVICE PIPING OUTSIDE BUILDING AND THROUGH BUILDING WALL TO BE INSTALLED IN ACCORDANCE WITH THE EPCOR WATERWORKS BYLAW #12585, AS AMENDED.
  - CONTACT EPCOR WATER SERVICES INC. AT 780-412-4500 PRIOR TO INSTALLATION OF A SYSTEM WHICH WILL METER BOTH FIRE SUPPLY AND DOMESTIC SUPPLY LINES.
  - BUILDINGS WITH MORE THAN ONE METER MUST HAVE A METAL OR PLASTIC TAG SECURELY ATTACHED TO THE CONTROL VALVE HANDLE OF THE METER IT SERVES. THE TAG MUST HAVE THE SERVICE ADDRESS ENGRAVED ON IT IN LETTERS OR NUMBERS AT LEAST 5mm (3/16") IN HEIGHT. LAWN SERVICES MUST ALSO BE IDENTIFIED WITH TAGS.
  - PREMISES ISOLATION OF THE WATER SUPPLY (FIRE, DOMESTIC, IRRIGATION, OTHER) IS MANDATORY FOR ALL COMMERCIAL, INDUSTRIAL, AND MULTI-RESIDENTIAL BUILDINGS. APPROVED ASSEMBLIES MUST BE SELECTED, INSTALLED, AND TESTED AS PER CSA B64.10.
  - OUTFLOW AND INFLOW SIDES OF METER SETTING TO BE ADEQUATELY SUPPORTED. MINIMUM 6" (150mm) CLEARANCE BETWEEN INFLOW/OUTFLOW PIPES OF METER AND WALL.

## SPECIFICATION FOR METER SETTINGS WITH HORIZONTAL BYPASSES

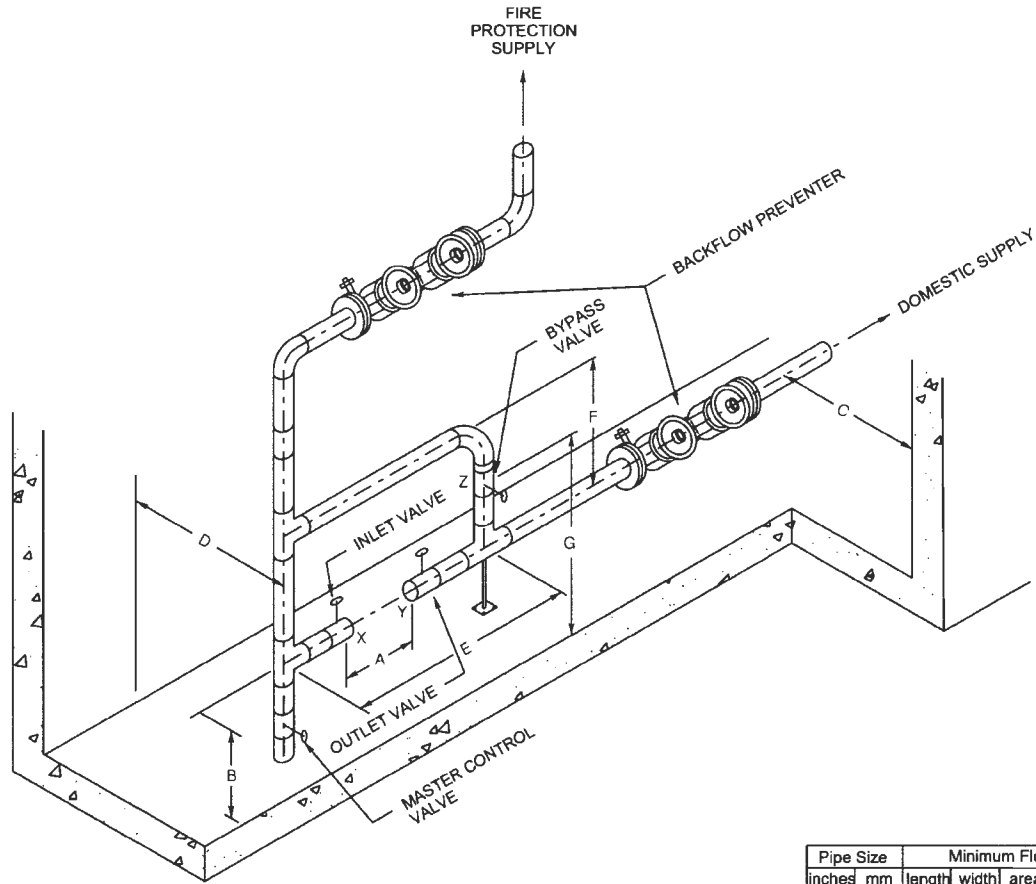


APPROVED  
APRIL 2021  
  
SCALE  
NTS

DRAWN BY  
C WRIGHT  
  
CHECKED BY  
D MATHEW

APPROVED  
  
DIRECTOR, WATER DISTRIBUTION AND TRANSMISSION

DRAWING NUMBER  
**WA-012-003**  
OLD DRAWING NUMBER  
**2520-03**



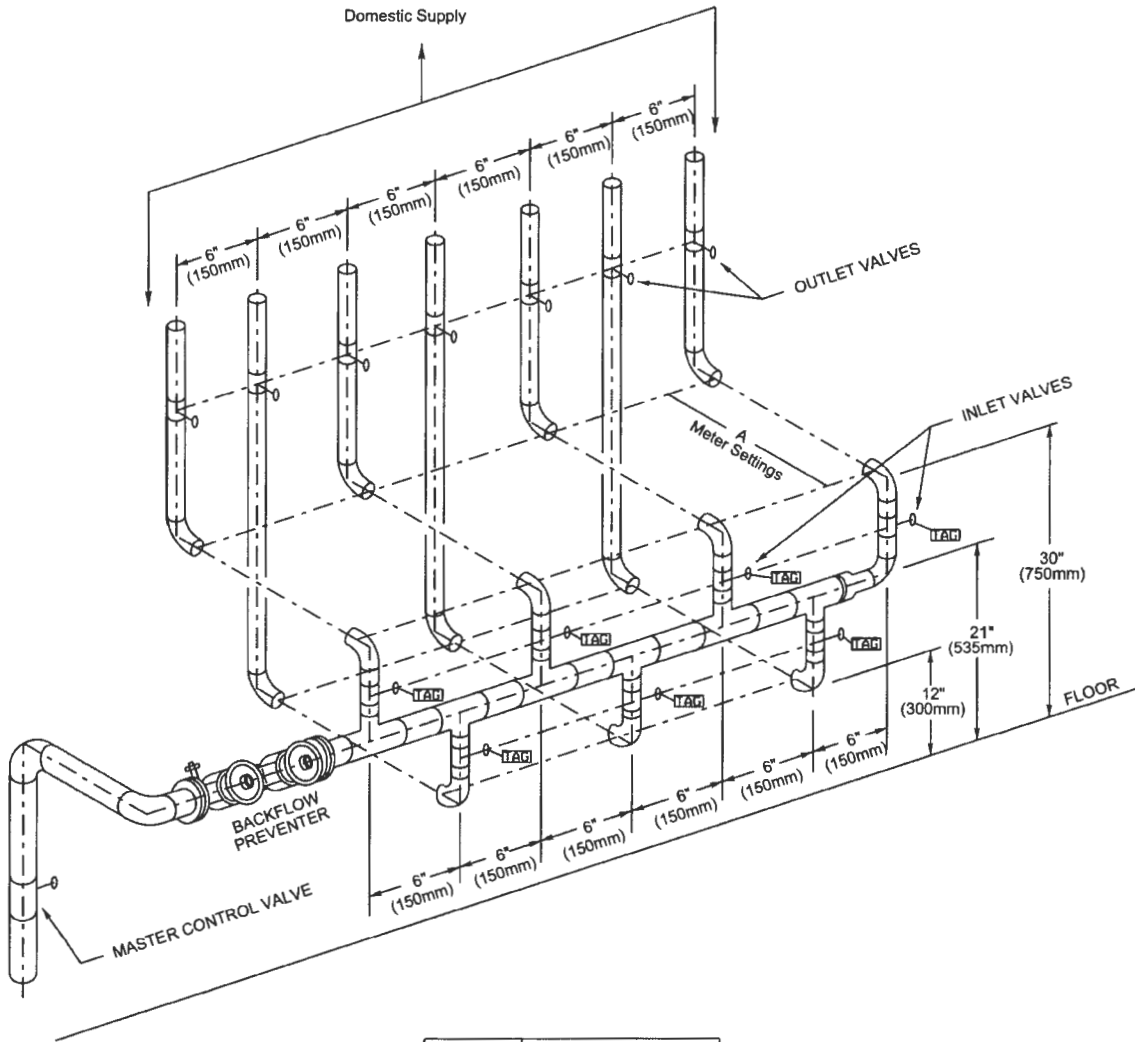
Pipe Size	Minimum Floor Area Required							
	inches	mm	length	width	area	length	width	area
2"	50	50	5ft.	4.5ft.	22.5 sq. ft.	1.5m	1.4m	2.1 sq. m.
3"	75	75	7ft.	4.5ft.	31.5 sq. ft.	2.1m	1.4m	2.9 sq. m.
4"	100	100	7ft.	4.5ft.	31.5 sq. ft.	2.1m	1.4m	2.9 sq. m.
6"	150	150	8ft.	4.5ft.	36.0 sq. ft.	2.4m	1.4m	3.4 sq. m.

Pipe Size	A		B				C		D		E		F				G		
	inches	mm	in.	mm	in.	mm	in.	mm	in.	mm	in.	mm	in.	mm	in.	mm	in.	mm	
2"	50	36	900	15	375	18	450	36	900	18	450	48	1200	18	450	24	610	48	1200
3"	75	42	1050	15	375	18	450	36	900	18	450	54	1350	18	450	24	610	48	1200
4"	100	42	1050	15	375	18	450	36	900	18	450	60	1525	18	450	24	610	48	1200
6"	150	48	1200	18	450	18	450	36	900	18	450	66	1675	18	450	24	610	48	1200

- NOTES:
- METER SETTINGS CONSTRUCTED USING PLASTIC PIPING SHALL HAVE ADEQUATE ANCHORING ON EACH SIDE OF THE METER CAPABLE OF KEEPING THE PIPE IN ALIGNMENT AND SUPPORTING THE WEIGHT OF THE METER, PIPE AND ALL OTHER COMPONENTS.
  - VALVE X & Y MUST BE FEMALE THREADED OR FLANGED AND CANNOT BE BUTTERFLY VALVES.
  - VALVE Z MAY BE LOCATED AT ANY POINT ON THE BYPASS, PROVIDED THAT IT IS ALWAYS WITHIN THE 66" (1675mm) MAXIMUM DISTANCE FROM THE FLOOR.
  - THE MAIN PIPE ALIGNMENT MUST BE A MINIMUM 18" (450mm) FROM ANY WALL, PARTITION, FIXTURE, OR OTHER PIPING.
  - THE SPACE ABOVE FLOOR AREA C X E MUST BE FREE FROM OBSTRUCTIONS TO A HEIGHT OF 78" (1980mm).
  - ALL COMBINED DOMESTIC AND FIRE PROTECTION SUPPLY SERVICES MUST HAVE A MASTER CONTROL VALVE BEFORE DOMESTIC SUPPLY TAKE - OFF. NO OTHER VALVE TO CONTROL FIRE PROTECTION SUPPLY EXCEPT BACKFLOW PREVENTER.
  - WATER SERVICE PIPING OUTSIDE BUILDING AND THROUGH BUILDING WALL TO BE INSTALLED IN ACCORDANCE WITH THE EPCOR WATERWORK BYLAW#12585, AS AMENDED.
  - CONTACT EPCOR WATER SERVICES INC. AT 780-412-4500 PRIOR TO INSTALLATION OF A SYSTEM WHICH WILL METER BOTH FIRE SUPPLY AND DOMESTIC SUPPLY LINES.
  - BUILDINGS WITH MORE THAN ONE METER MUST HAVE A METAL OR PLASTIC LOG SECURELY ATTACHED TO THE CONTROL VALVE HANDLE OF THE METER IT SERVES. THE TAG MUST HAVE THE SERVICE ADDRESS ENGRAVED ON IT IN LETTERS OR NUMBERS AT LEAST 5mm (3/16") IN HEIGHT. LAWN SERVICES MUST ALSO BE IDENTIFIED WITH TAGS.
  - PREMISES ISOLATION OF THE WATER SUPPLY (FIRE, DOMESTIC, IRRIGATION, OTHER) IS MANDATORY FOR ALL COMMERCIAL, INDUSTRIAL, AND MULTI-RESIDENTIAL BUILDINGS. APPROVED ASSEMBLIES MUST BE SELECTED, INSTALLED, AND TESTED AS PER CSA B64.10.
  - OUTFLOW AND INFLOW SIDES OF METER SETTING TO BE ADEQUATELY SUPPORTED.

## SPECIFICATIONS FOR METER SETTINGS WITH VERTICAL BYPASSES

	APPROVED APRIL 2021	DRAWN BY C WRIGHT	APPROVED	DRAWING NUMBER <b>WA-012-004</b>
	SCALE NTS	CHECKED BY D MATHEW	 DIRECTOR, WATER DISTRIBUTION AND TRANSMISSION	OLD DRAWING NUMBER <b>2520-04</b>



PIPE SIZE	" A "
3/8" (16mm)	11 1/2"-12" (292-305mm)
1/2" (20mm)	13 1/2"-14" (343-356mm)
1" (25mm)	15 1/2"-16" (394-406mm)
1 1/2" (40mm)	30" (762mm)

**NOTES:**

1. METER SETTINGS CONSTRUCTED USING PLASTIC PIPING SHALL HAVE ADEQUATE ANCHORING ON EACH SIDE OF THE METER CAPABLE OF KEEPING THE PIPE IN ALIGNMENT AND SUPPORTING THE WEIGHT OF THE METER, PIPE AND ALL OTHER COMPONENTS.
2. PLUMBERS ARE REQUESTED TO ADVISE EPCOR WATER SERVICES INC. AT 780-412-4500 IN ADVANCE REGARDING EACH INDIVIDUAL INSTALLATION.
3. MASTER CONTROL VALVE TO BE INSTALLED.
4. AN INLET VALVE AND AN OUTLET VALVE MUST BE INSTALLED FOR EACH METER SETTING.
5. VALVES OR FITTINGS ON SIDES CONNECTING TO METER MUST BE FEMALE THREADED IN 1/2" (13mm) FOR 3/8" (16mm) METER; 3/4" (20mm) FOR 1/2" (20mm) METER; AND 1" (25mm) FOR 1" (25mm) METERS.  
IF 1 1/2" (32mm) PIPING IS USED, SPACING AND FITTING FOR A 1" (40mm) PIPE MUST BE PROVIDED.
6. FOR METERS LARGER THAN 1" (40mm) CONTACT EPCOR WATER SERVICES INC. AT 780-412-4500 FOR FURTHER INFORMATION.
7. BUILDINGS WITH MORE THAN ONE METER MUST HAVE A METAL OR PLASTIC TAG SECURELY ATTACHED TO THE CONTROL VALVE HANDLE OF THE METER IT SERVES. THE TAG MUST HAVE THE SERVICE ADDRESS ENGRAVED ON IT IN LETTERS OR NUMBERS AT LEAST 5mm (3/16") IN HEIGHT. LAWN SERVICES MUST ALSO BE IDENTIFIED WITH TAGS.
8. PREMISES ISOLATION OF THE WATER SUPPLY (FIRE, DOMESTIC, IRRIGATION, OTHER) IS MANDATORY FOR ALL COMMERCIAL, INDUSTRIAL, AND MULTI-RESIDENTIAL BUILDINGS. APPROVED ASSEMBLIES MUST BE SELECTED, INSTALLED, AND TESTED AS PER CSA B64.10.
9. OUTFLOW AND INFLOW SIDES OF METER SETTING TO BE ADEQUATELY SUPPORTED.
10. MINIMUM DISTANCE OF CENTERLINE OF PIPING ADJACENT TO METER SETTING TO BE 12" (300mm) FROM ANY ENTRANCE, WALL OR GRADE WALL. MINIMUM 3' (1000mm) WITH NO OBSTRUCTION IN FRONT OF METER.

## SPECIFICATIONS FOR MULTIPLE METERS (METER BANK) WITHOUT FIRE PROTECTION SYSTEM



APPROVED  
APRIL 2021

DRAWN BY  
C WRIGHT

APPROVED

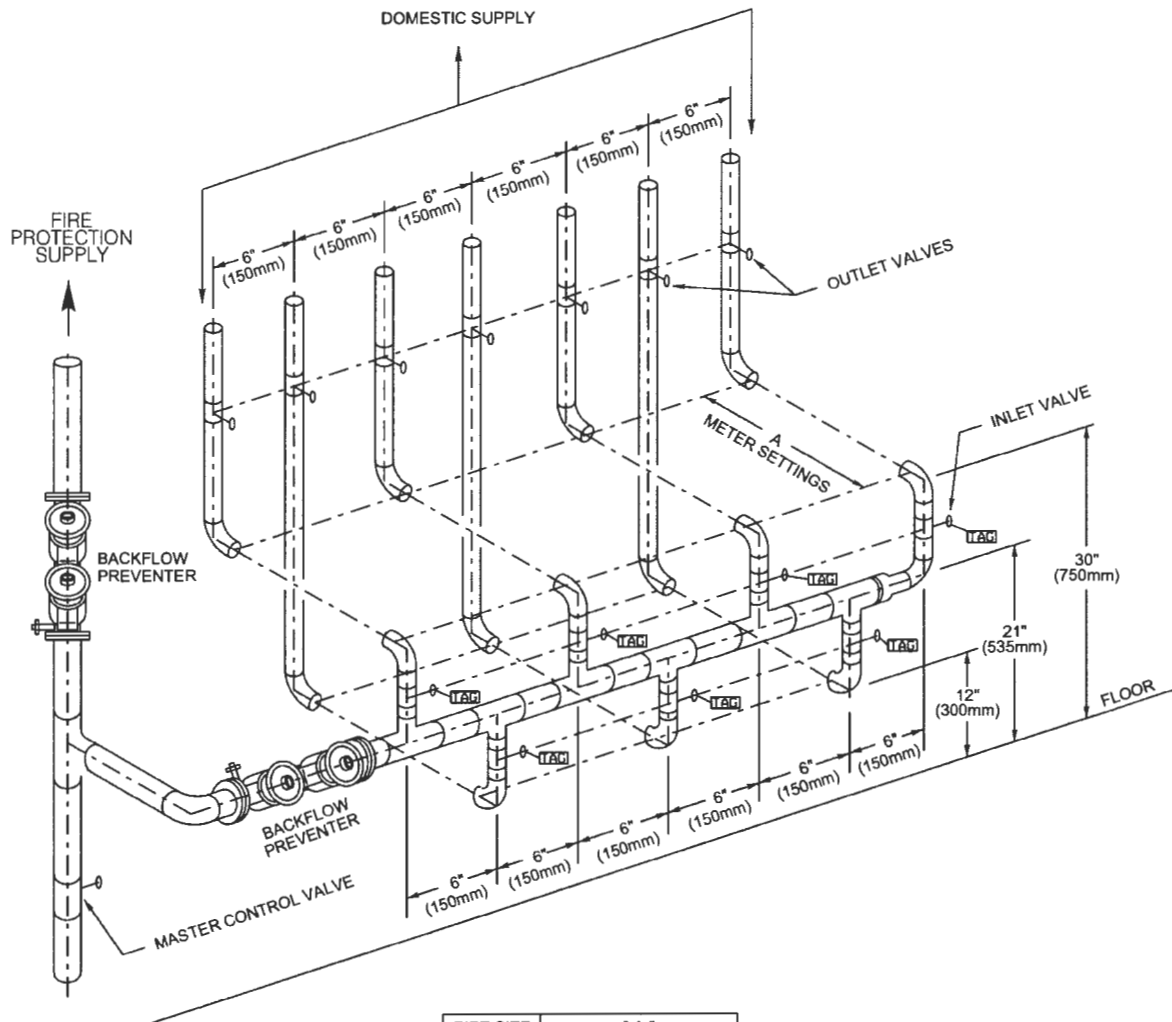
DIRECTOR, WATER DISTRIBUTION AND TRANSMISSION

DRAWING NUMBER  
**WA-012-005**

OLD DRAWING NUMBER  
**2520-05**

SCALE  
NTS

CHECKED BY  
D MATHEW



PIPE SIZE	" A "
5/8" (16mm)	11 1/2"-12" (292-305mm)
3/4" (20mm)	13 1/2"-14" (343-356mm)
1" (25mm)	15 1/2"-16" (394-406mm)
1 1/2" (40mm)	30" (762mm)

**NOTES:**

- METER SETTINGS CONSTRUCTED USING PLASTIC PIPING SHALL HAVE ADEQUATE ANCHORING ON EACH SIDE OF THE METER CAPABLE OF KEEPING THE PIPE IN ALIGNMENT AND SUPPORTING THE WEIGHT OF THE METER, PIPE AND ALL OTHER COMPONENTS.
- PLUMBERS ARE REQUESTED TO ADVISE EPCOR WATER SERVICES INC. AT 780-412-4500 IN ADVANCE REGARDING EACH INDIVIDUAL INSTALLATION.
- MASTER CONTROL VALVE TO BE INSTALLED.
- AN INLET VALVE AND AN OUTLET VALVE MUST BE INSTALLED FOR EACH METER SETTING.
- VALVES OR FITTINGS ON SIDES CONNECTING TO METER MUST BE FEMALE THREADED IN " (13mm) FOR " (16mm) METER; " (20mm) FOR " (20mm) METER; AND 1" (25mm) FOR 1" (25mm) METERS.  
IF 1" (32mm) PIPING IS USED, SPACING AND FITTING FOR A 1" (40mm) PIPE MUST BE PROVIDED.
- FOR METERS LARGER THAN 1" (40mm) CONTACT EPCOR WATER SERVICES INC. AT 780-412-4500 FOR FURTHER INFORMATION.
- CONTACT EPCOR WATER SERVICES INC. AT 780-412-4500 PRIOR TO INSTALLATION OF A SYSTEM WHICH WILL METER BOTH FIRE SUPPLY AND DOMESTIC SUPPLY LINES.
- BUILDINGS WITH MORE THAN ONE METER MUST HAVE A METAL OR PLASTIC TAG SECURELY ATTACHED TO THE CONTROL VALVE HANDLE OF THE METER IT SERVES. THE TAG MUST HAVE THE SERVICE ADDRESS ENGRAVED ON IT IN LETTERS OR NUMBERS AT LEAST 5mm (3/16") IN HEIGHT. LAWN SERVICES MUST ALSO BE IDENTIFIED WITH TAGS.
- PREMISES ISOLATION OF THE WATER SUPPLY (FIRE, DOMESTIC, IRRIGATION, OTHER) IS MANDATORY FOR ALL COMMERCIAL, INDUSTRIAL, AND MULTI-RESIDENTIAL BUILDINGS. APPROVED ASSEMBLIES MUST BE SELECTED, INSTALLED, AND TESTED AS PER CSA B64.10.
- OUTFLOW AND INFLOW SIDES OF METER SETTING TO BE ADEQUATELY SUPPORTED.
- MINIMUM DISTANCE OF CENTERLINE OF PIPING ADJACENT TO METER SETTING TO BE 12" (300mm) FROM ANY ENTRANCE, WALL OR GRADE WALL. MINIMUM 3' (1000mm) WITH NO OBSTRUCTION IN FRONT OF METER.

## SPECIFICATIONS FOR MULTIPLE METERS (METER BANK) WITH FIRE PROTECTION SYSTEM



APPROVED  
APRIL 2021

DRAWN BY  
C WRIGHT

APPROVED

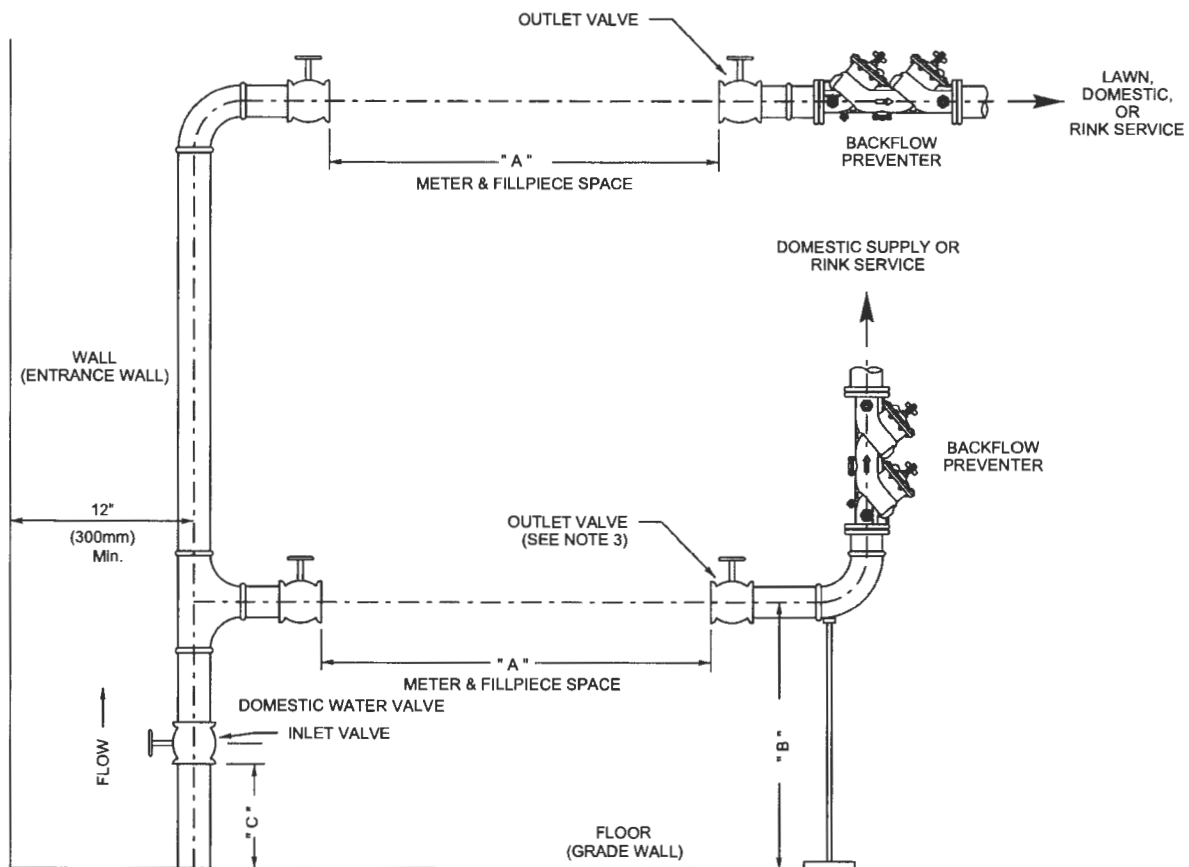
DRAWING NUMBER  
WA-012-006

SCALE  
NTS

CHECKED BY  
D MATHEW

DIRECTOR, WATER DISTRIBUTION AND TRANSMISSION

OLD DRAWING NUMBER  
2520-06



PIPE SIZE	"A"	"B" MAX	"B" MIN	"C" MIN
5/8" (16mm)	11 1/2"-12" (292-305mm)	36" (900mm)	24" (600mm)	18" (450mm)
3/4" (20mm)	13 1/2"-14" (343-356mm)	36" (900mm)	24" (600mm)	18" (450mm)
1" (25mm)	15 1/2"-16" (394-406mm)	36" (900mm)	24" (600mm)	18" (450mm)
1 1/2" (40mm)	30" (762mm)	24" (610mm)	18" (450mm)	12" (300mm)

**NOTES:**

- METER SETTINGS CONSTRUCTED USING PLASTIC PIPING SHALL HAVE ADEQUATE ANCHORING ON EACH SIDE OF THE METER CAPABLE OF KEEPING THE PIPE IN ALIGNMENT AND SUPPORTING THE WEIGHT OF THE METER, PIPE AND ALL OTHER COMPONENTS.
- MINIMUM DISTANCE OF CENTERLINE OF PIPING ADJACENT TO METER SETTING TO BE 12" (300mm) FROM ANY ENTRANCE, WALL OR GRADE WALL. MINIMUM 3' (1000mm) WITH NO OBSTRUCTION IN FRONT OF METER.
- VALVE IS REQUIRED ON OUTLET SIDE OF METER SETTING ON PIPING 1" (25mm) AND OVER. VALVE OPTIONAL ON PIPING UNDER 1" (25mm).
- PIPING FOR "A" MUST BE IN A HORIZONTAL PLANE.
- VALVES OR FITTINGS ON SIDES CONNECTING TO METER MUST BE FEMALE THREADED IN 1/2" (13mm) FOR 1/2" (16mm) METER; 3/8" (20mm) FOR 3/4" (20mm) METER; AND 1/2" (25mm) FOR 1" (25mm) METERS.  
IF 1" (32mm) PIPING IS USED, SPACING AND FITTINGS FOR A 1" (40mm) PIPE MUST BE PROVIDED.
- CONTACT EPCOR WATER SERVICES INC. AT 780-412-4500 PRIOR TO INSTALLATION OF A SYSTEM WHICH WILL METER BOTH FIRE SUPPLY AND DOMESTIC SUPPLY LINES.
- BUILDINGS WITH MORE THAN ONE METER MUST HAVE A METAL OR PLASTIC TAG SECURELY ATTACHED TO THE CONTROL VALVE HANDLE OF THE METER IT SERVES. THE TAG MUST HAVE THE SERVICE ADDRESS ENGRAVED ON IT IN LETTERS OR NUMBERS AT LEAST 5mm (1/8") IN HEIGHT. LAWN SERVICES MUST ALSO BE IDENTIFIED WITH TAGS.
- PREMISES ISOLATION OF THE WATER SUPPLY (FIRE, DOMESTIC, IRRIGATION, OTHER) IS MANDATORY FOR ALL COMMERCIAL, INDUSTRIAL, AND MULTI-RESIDENTIAL BUILDINGS. APPROVED ASSEMBLIES MUST BE SELECTED, INSTALLED, AND TESTED AS PER CSA B64.10.
- OUTFLOW AND INFLOW SIDES OF METER SETTING TO BE ADEQUATELY SUPPORTED. MINIMUM 6" (150mm) CLEARANCE BETWEEN INFLOW/OUTFLOW PIPES OF METER AND WALL.

## SPECIFICATION FOR METER SETTINGS WITH FIRE RINK SERVICE

**EPCOR**

APPROVED  
APRIL 2021

DRAWN BY  
C WRIGHT

APPROVED

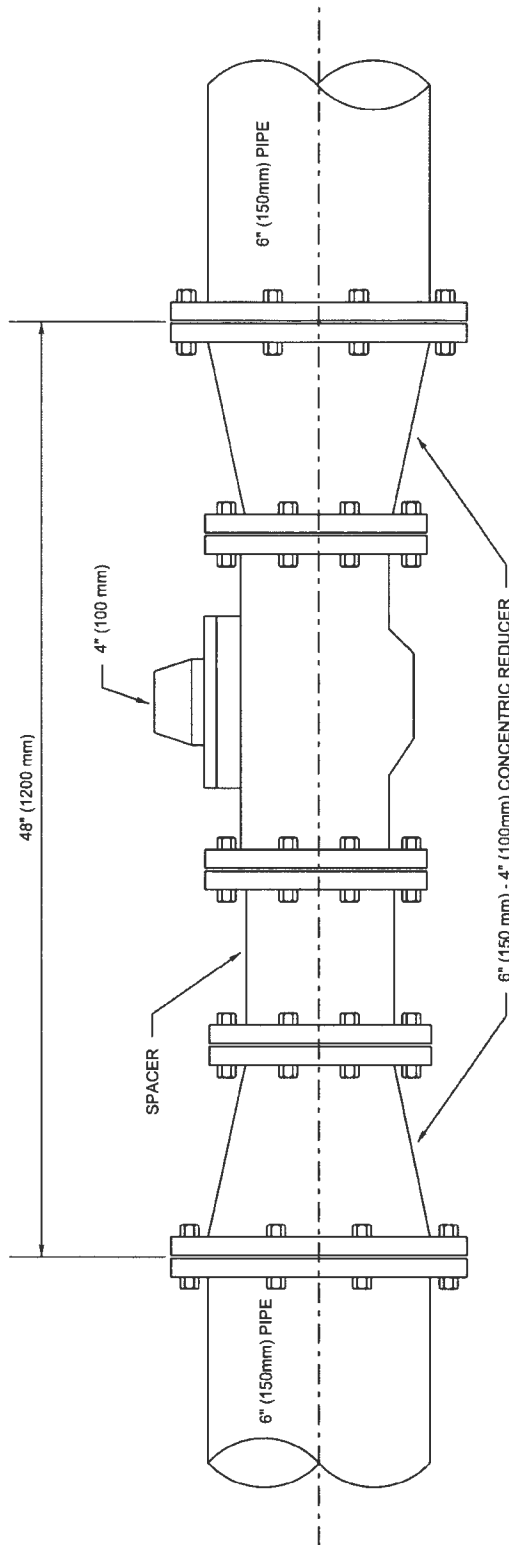
*[Signature]*  
DIRECTOR, WATER DISTRIBUTION AND TRANSMISSION

DRAWING NUMBER  
**WA-012-007**

OLD DRAWING NUMBER  
**2520-07**

SCALE  
NTS


CHECKED BY  
D MATHEW



NOTE:  
 1. PREMISES ISOLATION OF THE WATER SUPPLY (FIRE, DOMESTIC, IRRIGATION, OTHER) IS MANDATORY FOR ALL COMMERCIAL, INDUSTRIAL, AND MULTI-RESIDENTIAL BUILDINGS. APPROVED ASSEMBLIES MUST BE SELECTED, INSTALLED, AND TESTED AS PER CSA B64.10.



## TYPICAL INSTALLATION OF A 100mm (4") WATER METER

APPROVED APRIL 2021	DRAWN BY C WRIGHT	APPROVED 	DRAWING NUMBER <b>WA-012-008</b>
SCALE NTS	CHECKED BY D MATHEW	----- DIRECTOR, WATER DISTRIBUTION AND TRANSMISSION	OLD DRAWING NUMBER <b>2520-08</b>



# ELECTROMAGNETIC FLOW METER ASSEMBLY

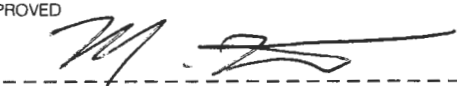
APPROVED  
APRIL 2021

SCALE  
NTS

DRAWN BY  
C WRIGHT

CHECKED BY  
D MATHEW

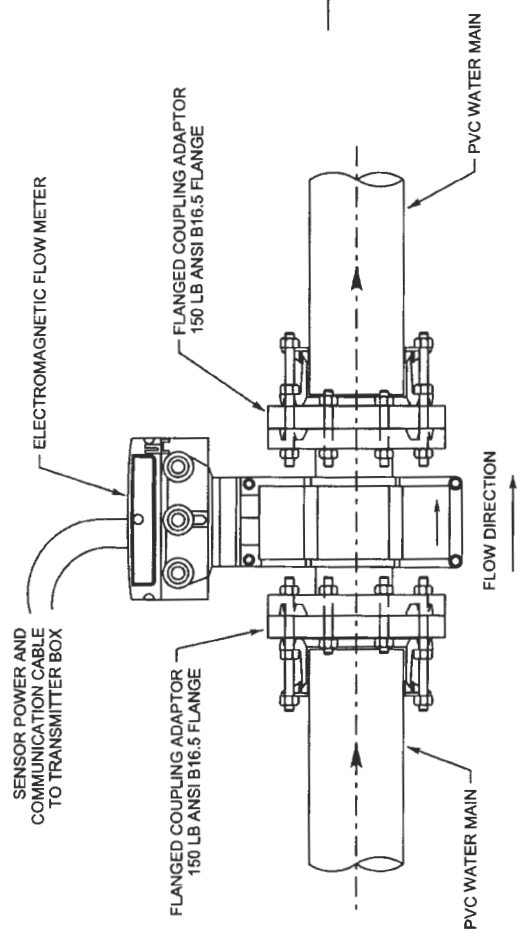
APPROVED



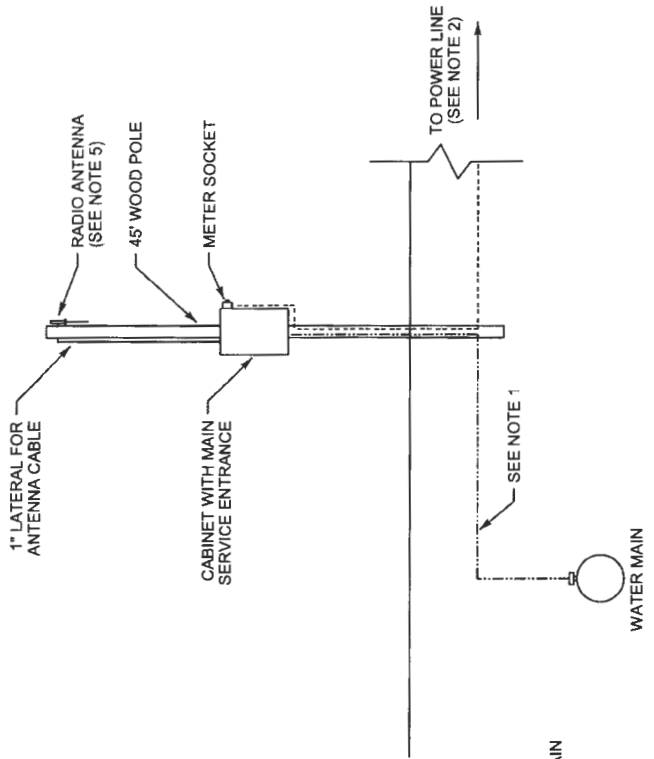
\_\_\_\_\_  
DIRECTOR, WATER DISTRIBUTION AND TRANSMISSION

DRAWING NUMBER  
**WA-012-009**

OLD DRAWING NUMBER  
**2520-09**



**ELECTROMAGNETIC FLOW METER & FLANGED COUPLING ADAPTOR**  
- N.T.S. -



**RADIO ANTENNA CONNECTION DETAIL**  
- N.T.S. -

- NOTES:**
1. INSTALL PROMAG SIGNAL CABLE AND COIL IN 2" SEPTACON FROM WATER MAIN TO CABINET POLE LOCATION.
  2. INSTALL L-08 BLACK, L-08 RED, RWU90, AND L-08 GREEN RWU90 (CCC) IN 2" SEPTACON AND CONNECT TO POWER LINE (POLE OR UNDERGROUND).
  3. INSTALL IN ACCORDANCE WITH VOLUME 7 OF THE COE DESIGN & CONSTRUCTION STANDARDS.
  4. ALL ELECTRICAL WORK SHALL BE INSTALLED TO THE LATEST REVISION OF THE CANADIAN ELECTRICAL CODE.
  5. RADIO ANTENNA TO BE MOUNTED AND POINTED IN DIRECTION AS REQUIRED BY EPCOR WATER SCADA GROUP.